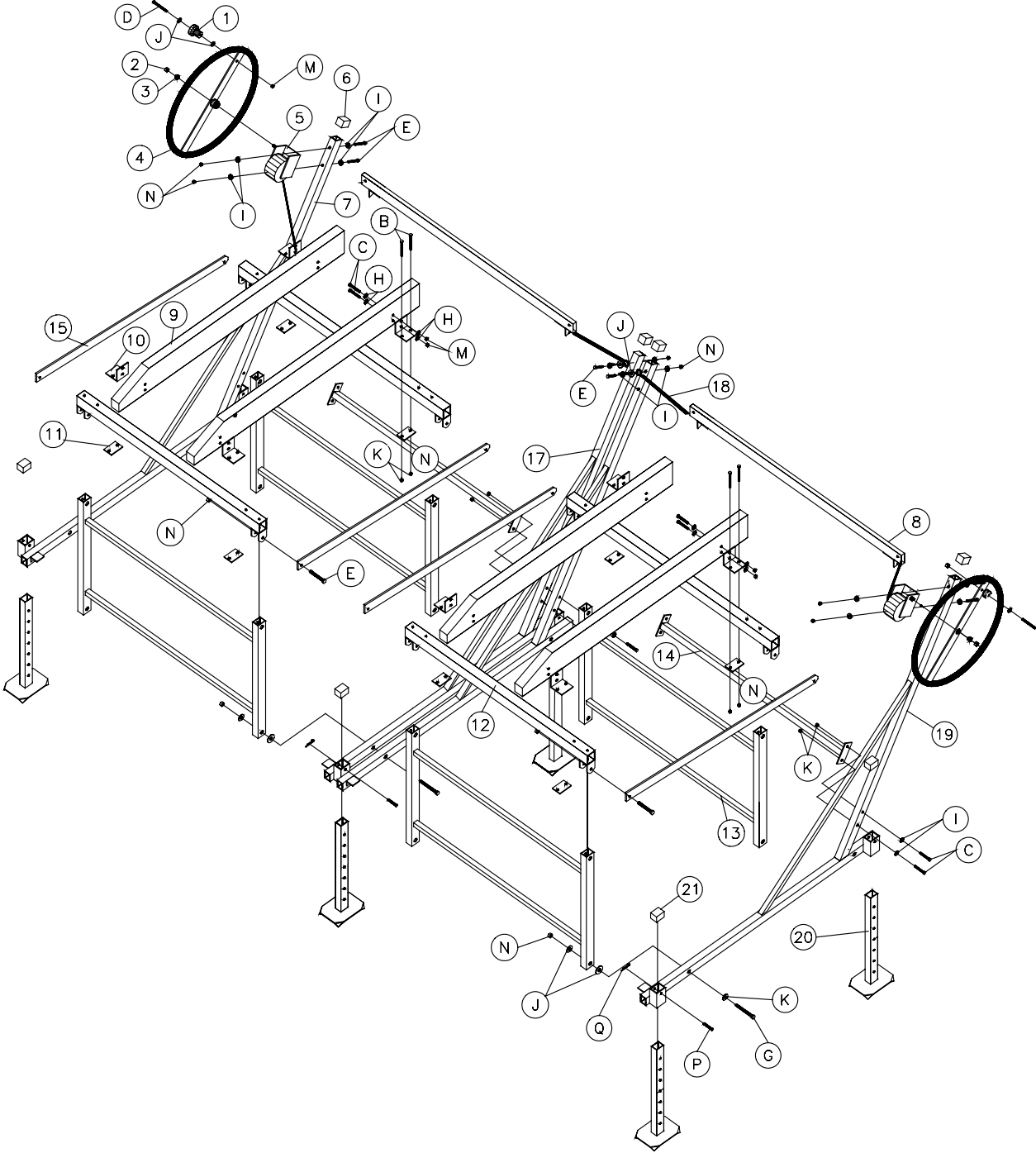


# LSC750D



# LSC750D PWC Lift, 750 lbs. Load Capacity, (2) 50" Beams, 28" Lift Height

## PARTS LIST

REF.	PART NO.	PART NAME	QTY.	RETAIL PRICE (EACH)
1	20552	Wheel Knob with Fastening Hardware	2	\$6.00
2/3	20498	Winch Hardware	2	\$2.50
4	LS1102	25" JL Wheel	2	\$75.00
5	20418D	Dutton-Lainson DLB-1200 Winch	2	\$106.00
6	20462/CAPS1530	1 1/2" x 3" Plastisol Cap	4	\$3.00
7	20397	Left Mainframe	1	\$210.00
8	20750/20682	Pulley Bar Assembly/Hardware Only	2/4	\$47.00/\$12.00
9	20424	Wood Bunk	4	\$15.00
10	20477	Wood Angle	8	\$9.00
11	20478	Wood Backer Plate	8	\$5.00
12	20749	Cradle	4	\$75.00
13	20752	H Unit	4	\$100.00
14	20751	Mainframe Spreader Tube	2	\$38.00
15	20576	Cradle Tie Bars	4	\$10.00
17	20755	Mainframe Center	1	\$420.00
18	20419	Cable 3/16" x 204"	2	\$15.00
19	20398	Right Mainframe	1	\$210.00
20	20458	Leg	6	\$38.00
21	20461	1 1/4" x 1 1/2" Plastisol Cap	6	\$2.00

## BOLT LIST

REF.	PART NO.	PART NAME	QTY.	RETAIL PRICE (EACH)
A	Y310	5/16 x 2 1/2 Hex Bolt	8	\$.50
B	Y326	5/16 x 3 1/2 Hex Bolt	32	\$.50
C	Y410	3/8 x 2 1/2 Hex Bolt	18	\$.50
D	Y416	3/8 x 4 Hex Bolt	6	\$.50
E	Y514	1/2 x 3 1/2 Hex Bolt	8	\$.75
F	Y519	1/2 x 4 1/2 Hex Bolt	8	\$.75
G	Y352	5/16 Flatwasher	32	\$.50
H	Y452	3/8 Flatwasher	28	\$.50
I	X452	3/8 Stainless Flatwasher	4	\$.50
J	Y552	1/2 Flatwasher	26	\$.50
K	Y353	5/16 Lock Nut	40	\$.50
L	Y450	3/8 Hex Nut	2	\$.50
M	Y451	3/8 Lock Nut	22	\$.50
N	Y551	1/2 Lock Nut	16	\$.50