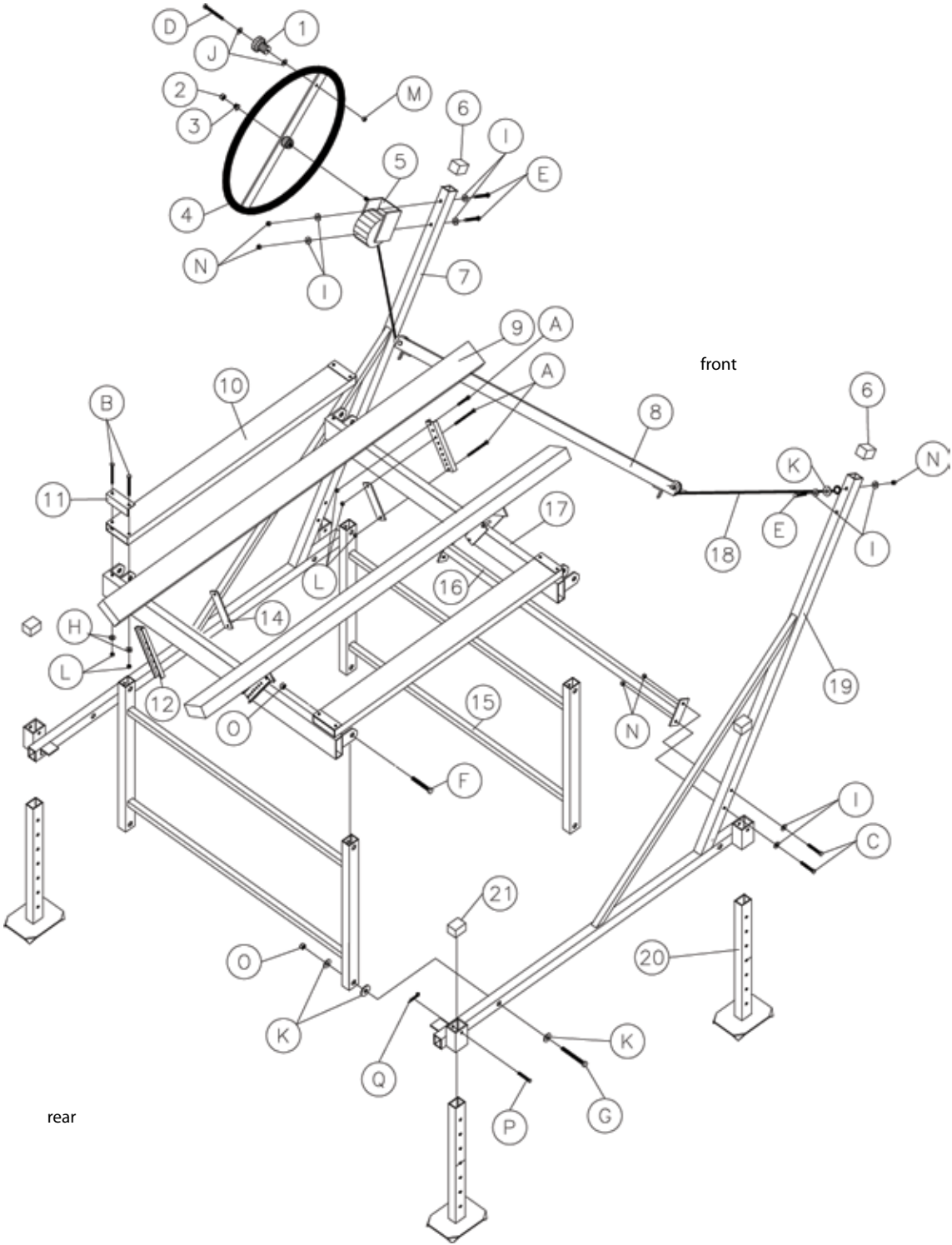


LSC964



LSC964 PWC Lift, 900 lbs. Load Capacity, 64" Cradle Width, 35" Lift Height

PARTS LIST

| REF. | PART NO. | PART NAME | QTY. | RETAIL PRICE (EACH) |
|------|----------------|------------------------------------|------|---------------------|
| 1 | 20552 | Wheel Knob with Fastening Hardware | 1 | \$6.00 |
| 2/3 | 20498 | Winch Hardware | 1 | \$2.50 |
| 4 | LS1102 | 25" JL Wheel | 1 | \$75.00 |
| 5 | 20418D | Dutton-Lainson DLB-1200 Winch | 1 | \$106.00 |
| 6 | 20462/CAPS1530 | 1 1/2" x 3" Plastisol Cap | 2 | \$3.00 |
| 7 | 20397 | Left Mainframe | 1 | \$210.00 |
| 8 | 20815/20682 | Pulley Bar Assembly/Hardware Only | 1/1 | \$51.00/\$12.00 |
| 9 | 20420 | Carpeted Bunk | 2 | \$37.00 |
| 10 | 20436 | Cradle Spreader Tube | 2 | \$45.00 |
| 11 | 20463 | Cradle End Cap | 4 | \$5.00 |
| 12 | 20501 | Bunk Adjustment Channel | 4 | \$12.00 |
| 14 | 20502 | Bunk Backer Plate | 4 | \$9.00 |
| 15 | 20817 | H Unit | 2 | \$115.00 |
| 16 | 20818 | Mainframe Spreader Tube | 1 | \$46.00 |
| 17 | 20816 | Cradle | 2 | \$90.00 |
| 18 | 20464 | Cable 3/16" x 252" | 1 | \$15.00 |
| 19 | 20398 | Right Mainframe | 1 | \$210.00 |
| 20 | JLU | Leg | 4 | \$48.00 |
| 21 | DEM12/CAPS1520 | 1 1/2" x 2" Plastisol Cap | 4 | \$2.00 |

BOLT LIST

| REF. | PART NO. | PART NAME | QTY. | RETAIL PRICE (EACH) |
|------|----------|--------------------------|------|---------------------|
| A | Y304 | 5/16 x 1 Hex Bolt | 4 | \$5.00 |
| A | Y310 | 5/16 x 2 1/2 Hex Bolt | 8 | \$5.00 |
| B | Y326 | 5/16 x 6 1/2 Hex Bolt | 8 | \$5.00 |
| C/D | Y410 | 3/8 x 2 1/2 Hex Bolt | 5 | \$5.00 |
| E | Y416 | 3/8 x 4 Hex Bolt | 3 | \$5.00 |
| F | Y514 | 1/2 x 3 1/2 Hex Bolt | 4 | \$7.75 |
| G | Y518 | 1/2 x 4 1/2 Hex Bolt | 4 | \$7.75 |
| H | Y352 | 5/16 Flatwasher | 8 | \$5.00 |
| I | Y452 | 3/8 Flatwasher | 10 | \$5.00 |
| J | X452 | 3/8 Stainless Flatwasher | 2 | \$5.00 |
| K | Y552 | 1/2 Flatwasher | 13 | \$5.00 |
| L | Y351 | 5/16 Lock Nut | 20 | \$5.00 |
| M | Y450 | 3/8 Hex Nut | 1 | \$5.00 |
| N | Y451 | 3/8 Lock Nut | 7 | \$5.00 |
| O | Y551 | 1/2 Lock Nut | 8 | \$5.00 |
| P | CP | 3/8 x 2 1/2 Clevis Pin | 4 | \$1.50 |
| Q | HPC | Hair Pin Cotter | 4 | \$1.00 |