



Owner's Manual

**LSV50120C**

- LS5000B leg bundle
- LS5021B post bundle
- LS5022C cradle bundle 120"
- LS5003C spreader bundle
- LS5004B bunk bundle
- LS4005B accessory box
- LS5007B diagonal bundle
- LS2005B wheel

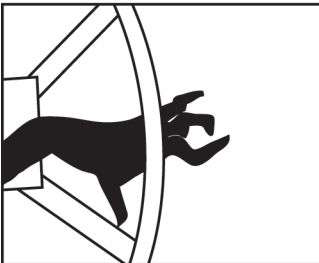
**LSV50120CP**

- LS5000B leg bundle
- LS5021B post bundle
- LS5022C cradle bundle 120"
- LS5003C spreader bundle
- LS5004B bunk bundle (2)
- LS4005B accessory box
- LS4011B accessory box
- LS5007B diagonal bundle
- LS2005B wheel

**LSV50120CP-U**

- LS5000B leg bundle
- LS5021B post bundle
- LS5022C cradle bundle 120"
- LS5003C spreader bundle
- LS5004BU under deck bunk bundle
- LS4005B accessory box
- LS5007B diagonal bundle
- LS2005B wheel

READ CAREFULLY - FAILURE TO FOLLOW INSTRUCTIONS AND SAFETY RULES MAY RESULT IN SERIOUS INJURY



**⚠ WARNING**

**DO NOT ATTEMPT TO STOP SPINNING WHEEL.**  
Serious personal injury could result.

Lift Wheel must be turned clockwise for lifting.  
**NEVER** raise lift by turning wheel counterclockwise.  
Doing so will result in an uncontrolled spin down, which could lead to cable failure and serious injury.

Z117

**⚠ CAUTION**

**DO NOT CRANK PAST STOP POSITION.**

When raising lift be aware that when moving components contact frame you have reached maximum height. Turning wheel past this point may cause personal injury and will cause damage to lift that is not covered by warranty.

Z119

**⚠ WARNING**

**DO NOT OPERATE THIS HOIST WITHOUT FIRST STUDYING THE OWNER'S MANUAL.**

1. Before operating this lift be sure to understand all operating procedures and safety precautions.
2. **NEVER** operate lift with people on board boat or near any part of lift.
3. **NEVER** work or play on, around or under lift.
4. **NEVER** exceed the rated capacity of lift. Doing so may cause lift to fail.
5. Before use visually inspect **SHEAVES** and **CABLE** for wear or fraying. Follow proper maintenance procedures.

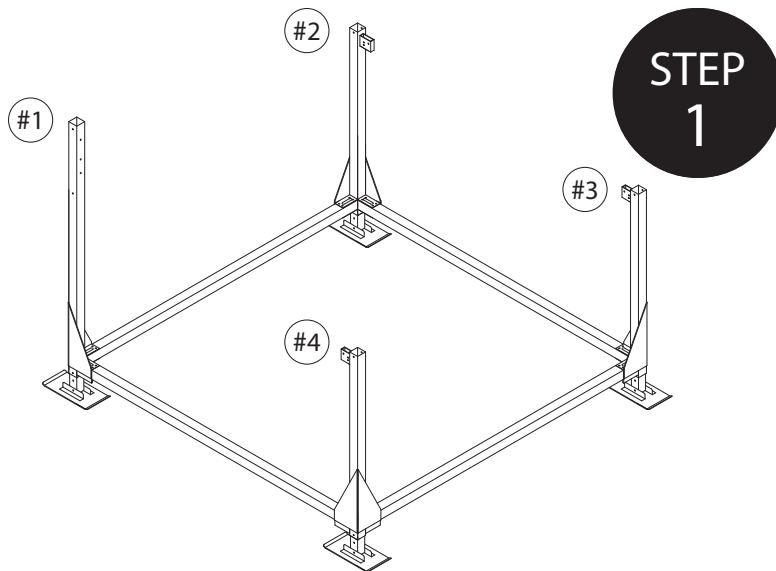
**Failure to follow these procedures could cause lift to fail and result in death or serious personal injury.**

Z116

Manufacturers of Lakeshore Products

855 East Chicago Road, Quincy, MI 49082

www.lakeshoreproducts.com • tel: 517.639.3815 • fax: 517.639.4576

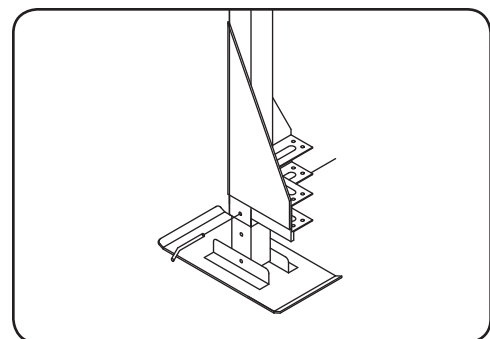


PARTS FOR THIS STEP	
MAINFRAME POSTS (A,B,O,Q)*	4
LEGS (R,S)	4
SIDE MAINFRAME SPREADERS (N)	2
F/R MAINFRAME SPREADERS (W)	2
BOLT PACKAGE STEP 1	1

\* denotes letter on exploded view

**1.1 attach LEGS**

Slide 4 LEGS into the 4 MAINFRAME POSTS using:  
 4 – 3/8" x 4" bent clevis pins  
 4 – hairpin cotters



**1.2 arrange MAINFRAME POSTS**

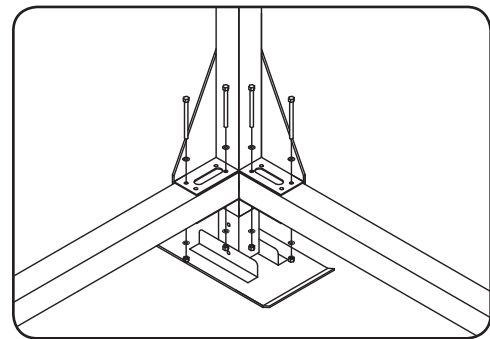
Stand all 3 shorter MAINFRAME POSTS on a flat area, arranged as shown above.

**1.3 attach SIDE MAINFRAME SPREADER tubes**

Position one SIDE MAINFRAME SPREADER tube between POST #1 and #4. The SIDE MAINFRAME SPREADER tubes are 120" long with the large slots in each end.

Bolt in place using:  
 2 – 3/8" x 5" hex bolts  
 4 – 3/8" flat washers  
 2 – 3/8" nylon lock nuts

at each POST. Repeat with other SIDE MAINFRAME SPREADER between POST #2 and #3.

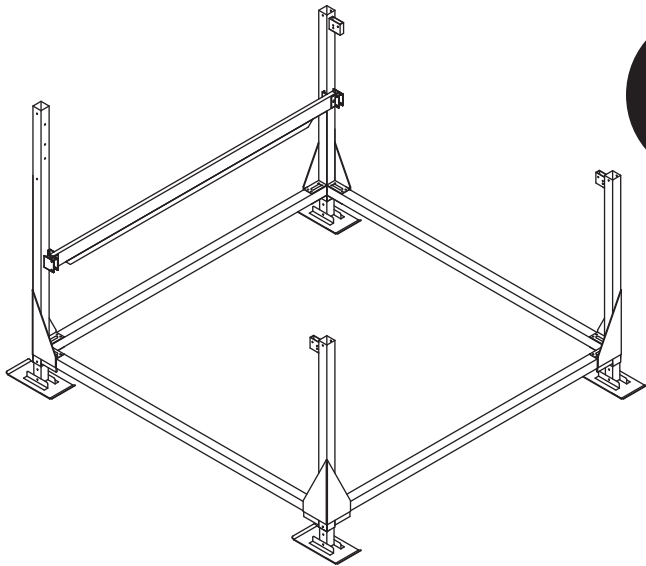


**1.4 attach FRONT/REAR MAINFRAME SPREADER tubes**

Position one F/R MAINFRAME SPREADER tube between POST #1 and #2. This is the front of the lift. Bolt in place using:

2 – 3/8" x 5" hex bolts  
 4 – 3/8" flat washers  
 2 – 3/8" nylon lock nuts

at each POST. Repeat with other F/R MAINFRAME SPREADER between POST #3 and #4. This is the rear of the lift.



## STEP 2

### ● PARTS FOR THIS STEP

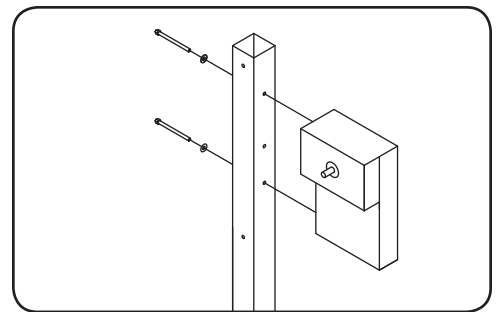
FRONT CRADLE (K)	1
WINCH WITH ADAPTER (G, H)	1
WHEEL 41" (I)	1
BOLT PACKAGE STEP 2	1

### 2.1 attach WINCH

Remove the three screws that hold on the WINCH cover. Lay POST #1 on it's side and attach winch using:

- 2 - 3/8 x 5" hex bolts
- 2 - large aluminum washers
- 2 - 3/8 nylon lock nuts

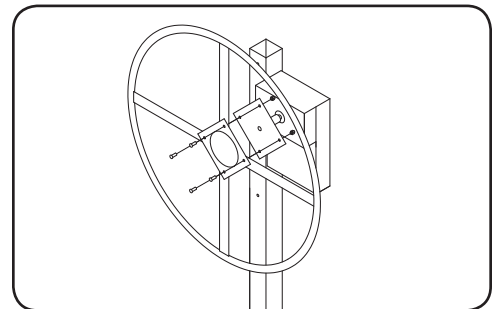
Be sure to place the washers under the heads of the bolts on the outside of the post. Stand POST #1 up and bolt to the MAINFRAME SPREADER TUBES as described in Steps 1.3 and 1.4. Be sure to place the washers under the heads of the bolts on the outside of the post.



### 2.2 attach WHEEL

Remove the 4 carriage bolts from the wheel mounting plate. Align the 4 holes in the mounting plate with the holes on the SHAFT ADAPTER.

Attach using the 4 carriage bolts and locknuts provided.



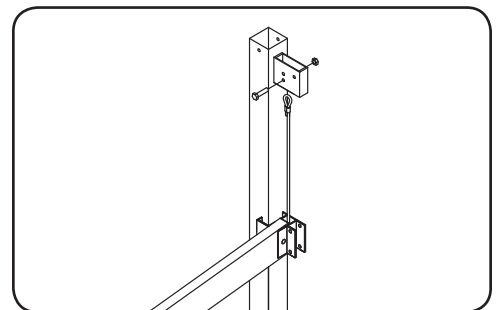
### 2.3 attach FRONT CRADLE

Position the FRONT CRADLE between POST #1 and #2.

NOTE: the FRONT CRADLE has a cable with a loop on only one end.

Attach the loop end to POST #2 in the low hole closest to the POST with:

- 1 - 1/2" x 2-1/4" hex bolts
- 1 - 1/2" nylon lock nuts



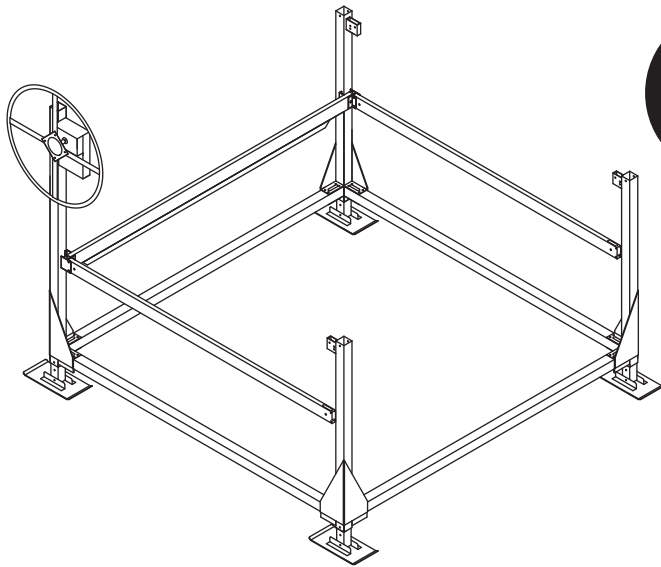
### 2.4 attach CABLE

The cable attaches to the black drum at the bottom of the WINCH. It passes through a hole in this drum and is held in place by a plate and 2 set screws located between the holes. The drum will have to be turned until the set screws appear. Loosen the screws with the 5/32" allen wrench supplied with your lift. Then pass the cable through the hole in the drum until 1" of the cable sticks between the plate and the drum, and tighten the set screws.

#### NOTE

The wheel needs to thread on and off the shaft to activate the brake. This shaft should be greased yearly to ensure proper operation.

Extreme care should be taken not to cross thread and damage the threads on the wheel hub. This will void your warranty.



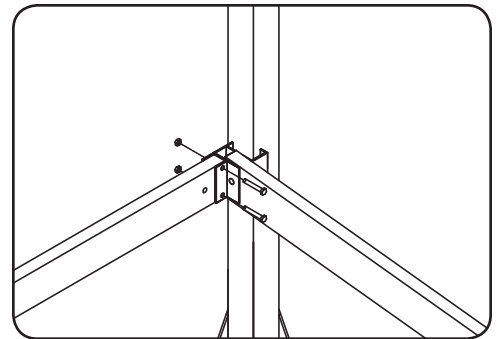
**STEP  
3**

● PARTS FOR THIS STEP	
CRADLE SPREADERS (L)	2
BOLT PACKAGE STEP 3	1

**3.1 attach CRADLE SPREADER**

Attach one end of the **CRADLE SPREADER** tube to the **FRONT CRADLE** near **POST #1**. Use:

- 4 - 3/8" x 2-1/2" hex bolts
- 4 - 3/8" nylon lock nuts

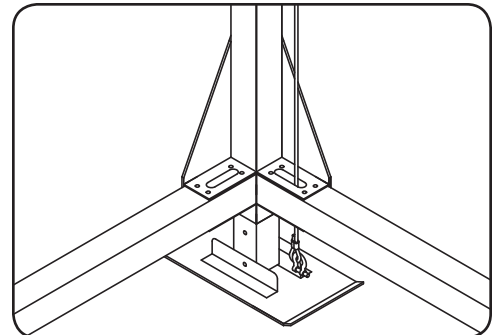


**3.2 attach SIDE CABLE**

Feed the end of the **CABLE** that hangs down through the holes in the **MAINFRAME SPREADER** tube by **POST #1** and pull out the bottom of the lift. Using:

- 1 - shackle

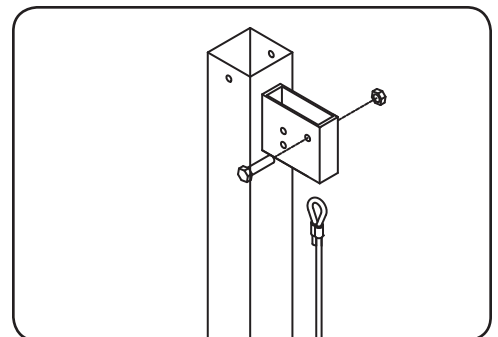
Unscrew the shackle pin and put the shackle through the loop at the end of the **CABLE**. Securely thread the pin into the shackle and tighten to secure the **CABLE**.



**3.3 attach SIDE CABLE**

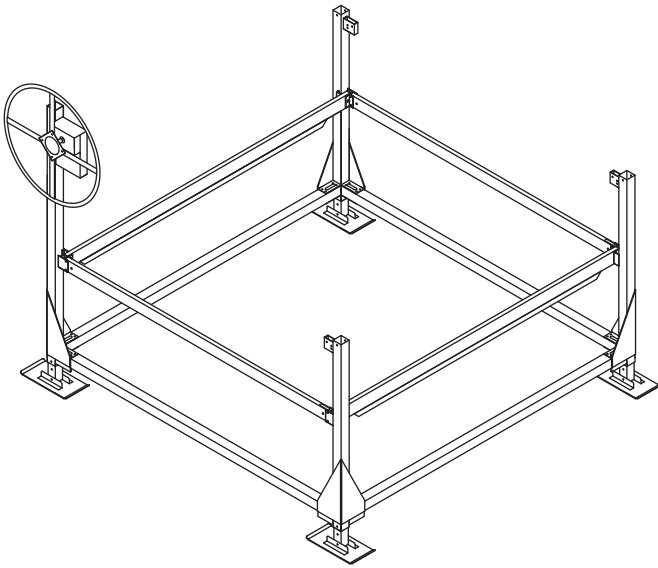
Take the opposite end of the cable that comes up out of the **SPREADER** and attach it to the top of **POST #4**. Use the holes furthest away from the **POST** and attach using:

- 1 - 1/2" x 2-1/4" hex bolt
- 1 - 1/2" nylon lock nut



**3.4 repeat**

Repeat for other **CRADLE SPREADER**.



## STEP 4

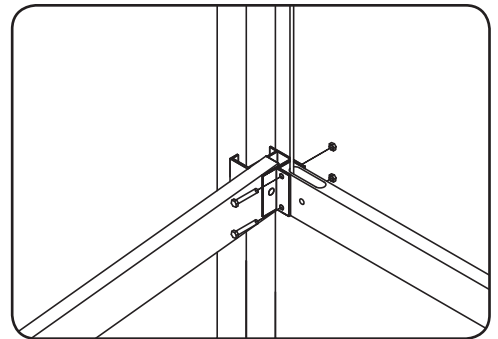
### ● PARTS FOR THIS STEP

REAR CRADLE (P)	1
BOLT PACKAGE STEP 4	1

#### 4.1 attach REAR CRADLE

Set the **REAR CRADLE** on the ends of the **CRADLE SPREADER** tubes. Attach to the **SPREADERS** using:

- 2 – 3/8" x 2-1/2" hex bolts
- 2 – 3/8" nylon lock nuts

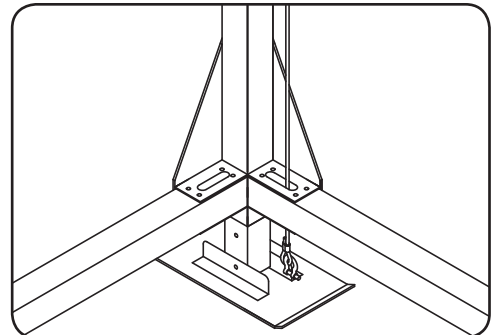


#### 4.2 attach CABLES at bottom

Feed the two down cable ends through the side **MAINFRAME SPREADER** tubes and out the bottom of the lift. Attach using:

- 2 – shackles

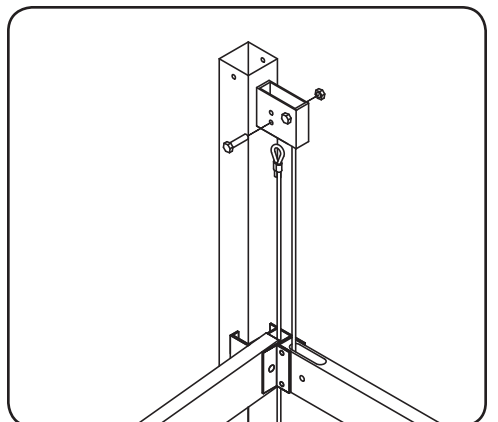
Unscrew the shacklepinned and put the shackle through the loop at the end of the **CABLE**. Securely thread the pin into the shackle and tighten to secure the **CABLE**.



#### 4.3 attach CABLES at top

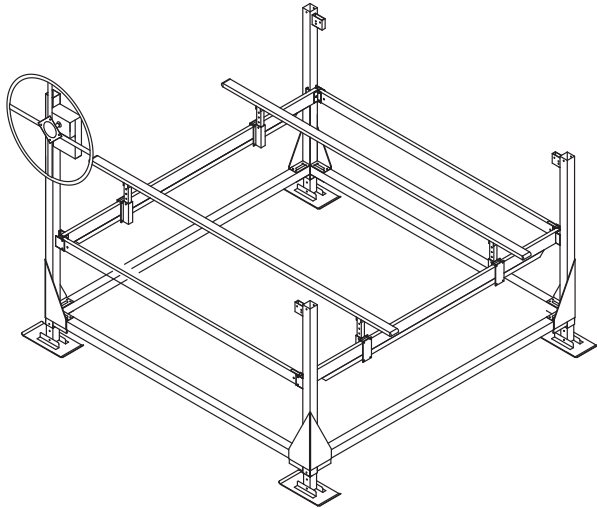
Attach the two up ends of the **CABLES** to **POST #3** and **#4**. Use the holes closest to the **POST**, starting with both **CABLES** in the lowest holes. If the rear **CABLES** appear too loose, try moving one **CABLE**, or both to the next hole. Bolt in place using:

- 1 – 1/2" x 2-1/4" hex bolt
- 1 – 1/2" nylon lock nut



# STEP 5

● PARTS FOR THIS STEP	FOR	FOR
	LSV50C	LSV50CP
BUNK ASSEMBLY (C)	2	4
BOLT PACKAGE STEP 5	1	2



## FOR LSV50C and LSV50CP

### 5.1 attach BUNKS

Attach **BUNK SOCKETS** and **BUNK SOCKET PLATES** making sure to place the sockets towards the inside of the lift using:

- 16 – 3/8" x 2-1/2" hex bolts
- 16 – 3/8" nylon lock nuts

Install the **BUNKS** by sliding into the **BUNK SOCKETS** and securing with:

- 4 – 3/8" x 2-1/2" clevis pins
- 4 – hairpin cotters

### 5.2 adjust BUNKS

Move your lift into the water.

Adjust the height and position of the **BUNKS** so that they cradle your boat and keep the bottom of the boat off the **CRADLE**.

NOTE: For **LSV3040CP** repeat **STEP 5.1** and **STEP 5.2** for the second set of bunks.

### 5.3 adjust LEGS

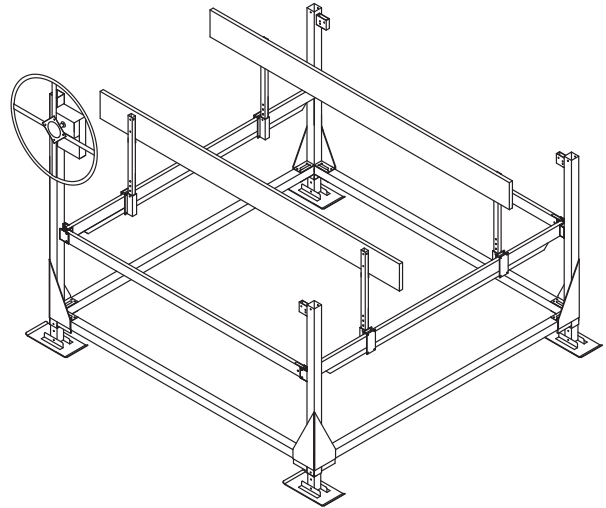
Adjust the lift **LEGS** so that the lift sits level in the water, within 3" to 6" is acceptable.

### 5.4 install DIAGONALS

Install the **DIAGONAL BRACKETS** by snapping them over the center of the **SIDE MAINFRAME SPREADERS**. Bolt the **DIAGONALS** from this bracket to the hole at the top of each **POST** on the outside of the lift with:

- 4 – 3/8" x 1-1/4" hex bolts for center bracket
- 4 – 3/8" x 4-1/2" hex bolts for top of post
- 8 – 3/8" hex locknuts

● PARTS FOR THIS STEP	FOR
	LSV50CP-U
UNDER DECK BUNK LEGS (E)	4
BOLT PACKAGE STEP 5	1



## FOR LSV50CP-U

### 5.1 attach BUNKS

Attach **BUNK SOCKETS** and **BUNK SOCKET PLATES** making sure to place the sockets towards the center of the lift.

- 16 – 3/8" x 2-1/2" hex bolts
- 16 – 3/8" nylon lock nuts

Install the (4) 36" **UNDER DECK BUNK LEGS** using:

- 4 – 3/8" x 2-1/2" clevis pins
- 4 – hairpin cotters

(2) 2" x 12" boards (bunks) must be purchased separately. They should be at least 16' long. These are to be attached to the outside of the 36" **UNDER DECK BUNK LEGS** using:

- 8 – 3/8" x 2-1/2" carriage bolts
- 8 – 3/8" nylon lock nuts

### 5.2 adjust BUNKS

Adjust the height of the **BUNKS** so that the pontoons miss the lift cradle by 2" or more and so they fit between the pontoons by 2" or more.

## hints

- A. Shallow water? Remove the adjustable legs to make the lift sit even lower in the water. In this position the Cradle can be placed lower than on any other lift available.
- B. Deep water? Extension legs are available in 4', 5', and 6' lengths. Call your Dealer for pricing.
- C. The front Cable will last much longer if you grease the first 5' to 8' that goes into the winch.
- D. The winch and brake mechanism will work better if the wheel shaft is greased yearly. This task has been simplified by the addition of a grease fitting on the wheel shaft right behind the red wheel.
- E. Do not over crank your lift. Be sure to notice the maximum height that your lift will rise to and STOP when you reach that height. Failure to do so will damage your lift.

## important

- A. Grease the winch shaft annually. The red wheel must be able to thread and unthread easily in order for the braking mechanism to work properly.
- B. Your Lakeshore Jet Lift will only protect your personal watercraft if the craft is lifted well above the level of the water. In larger lakes or during storms, large waves may lift the craft from the lift or tip the lift over, causing damage both to the craft and the lift. You must take precautions to protect your craft and lift from these conditions. If your craft suffers damage from high waves, LSP, Inc. will not accept responsibility for such damage.
- C. Inspect your lift often for signs of wear or improper operation. Be aware of normal cranking force. Any increase in cranking force is a sign that something is wrong. DO NOT USE the lift if any parts are worn or damaged, replace immediately.
- D. Pay attention to the condition of your cable. A frayed or rusted cable can lead to failure of the lift. Replace it immediately. Greasing the cable, especially where it enters the winch, can extend its life.
- E. A second caution decal is provided in the accessories box. If after assembly the decal is not easily seen then install the extra decal so that anyone using the lift can read it. NEVER let anyone operate the lift unless they are familiar with all safety rules.
- F. NEVER let anyone play on, around, or under the lift.

### Ten/Two Year Limited Warranty

LSP, Inc. (Seller) warrants the aluminum structure on docks and lifts of its manufacture to be free from defects caused by material or workmanship for ten years from date of purchase. Seller will, at its option, repair or replace any such goods found on examination by Seller to be defective under normal use and service. Upon discovery of any such defect, Buyer must notify Seller in writing of defect and provide proof of purchase. Seller warrants all other materials including cast aluminum parts, mechanical components, hardware, canopy covers, cables, bunks, etc for two years. Components obtained from other manufacturers and used in Seller's products will be covered under the manufacturer's warranty and shall not be the responsibility of the Seller.

Seller's responsibility under this warranty shall be the repair or replacement of defective items. Seller is not liable for incidental or consequential damages of any kind.

Seller shall not be held responsible for repairs or modifications to its docks or lifts unless authorization has been obtained from Seller. This warranty does not cover damage caused by incorrect assembly or adjustments, overloading, improper use, neglected maintenance, alterations, or damage caused by accident, environmental factors (chemicals, tree sap, salt, etc), or acts of God (rainstorms, windstorms, tornadoes, etc).

## LS4005B accessory package

BPV30BSS	Bolt Package V30/40B	1
W4	Winch 4000 lb. w/adaptor	1
20902	Bunk Socket Bracket	4
20904	Bunk Socket Plate	4
CAPS3535	3 1/2" x 3 1/2" Black Cap	4

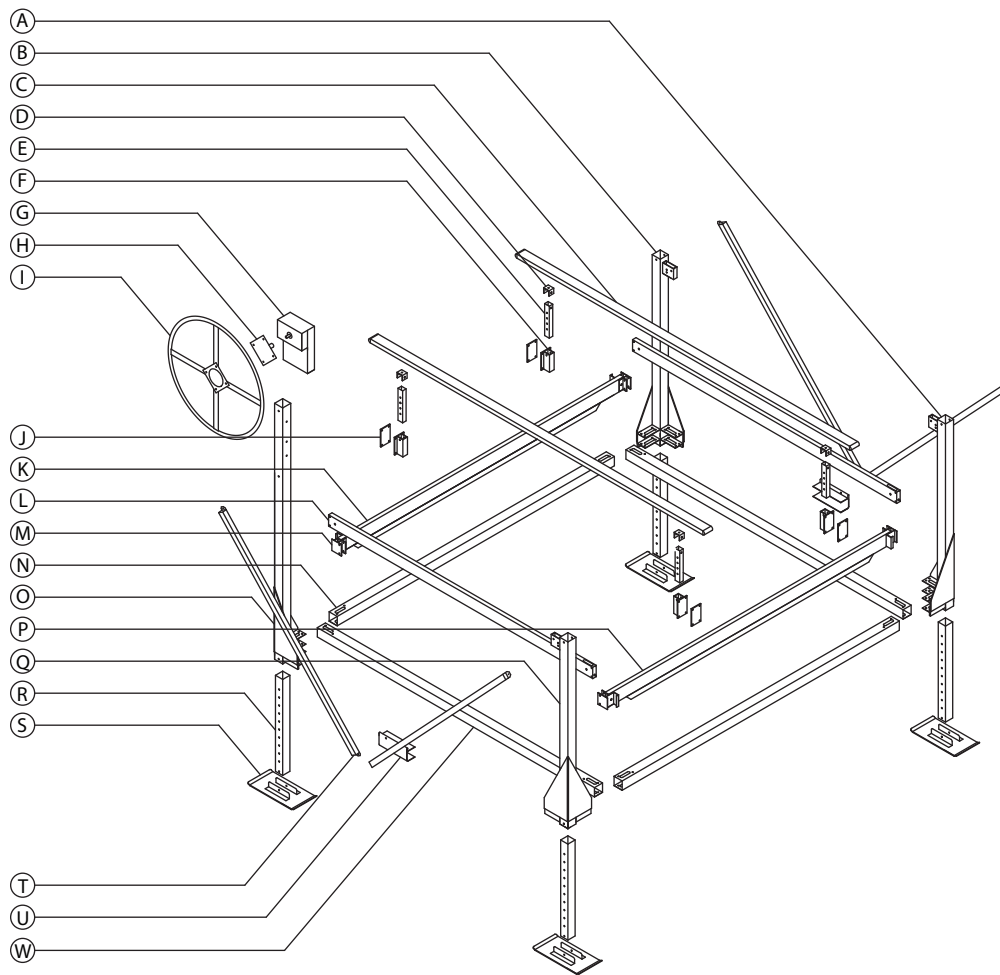
## LS4011B accessory package

20902	Bunk Socket Bracket	4
20904	Bunk Socket Plate	4
20852SS	STEP 5	1

## BPV30BSS bolt package

20848SS	STEP 1	
X420	3/8" x 5" hex bolt	16
Z451	3/8" hex lock nut	16
X452	3/8" flat washer	32
CP1	3/8" x 4" bent clevis pin	4
HPC	1/8" hairpin cotter	4
20849SS	STEP 2	
X420	3/8" x 5" hex bolt	2
Z451	3/8" hex lock nut	2
X509	1/2" x 2-1/4" hex bolt	1
Z551	1/2" hex lock nut	1
20981	large aluminum washer	2
20890	5/32 allen wrench	1
20850SS	STEP 3	
X410	3/8" x 2 1/2" hex bolt	4
Z451	3/8" hex lock nut	4
X509	1/2" x 2-1/4" hex bolt	2
Z551	1/2" hex lock nut	2
SHACKLE	3/8" shackle	2
20851SS	STEP 4	
X410	3/8" x 2 1/2" hex bolt	4
Z451	3/8" hex lock nut	4
X509	1/2" x 2-1/4" hex bolt	2
Z551	1/2" hex lock nut	2
SHACKLE	3/8" shackle	2
20852SS	STEP 5	
X410	3/8" x 2 1/2" hex bolt	16
Z451	3/8" hex lock nut	16
CP	3/8" x 2 1/2" clevis pin	4
HPC	1/8" hairpin cotter	4

# LSV50120C Vertical Boat Lift, 5000 lbs. Capacity, 120" Beam Width, 52" Lift Height.



## PARTS LIST LSV50120C

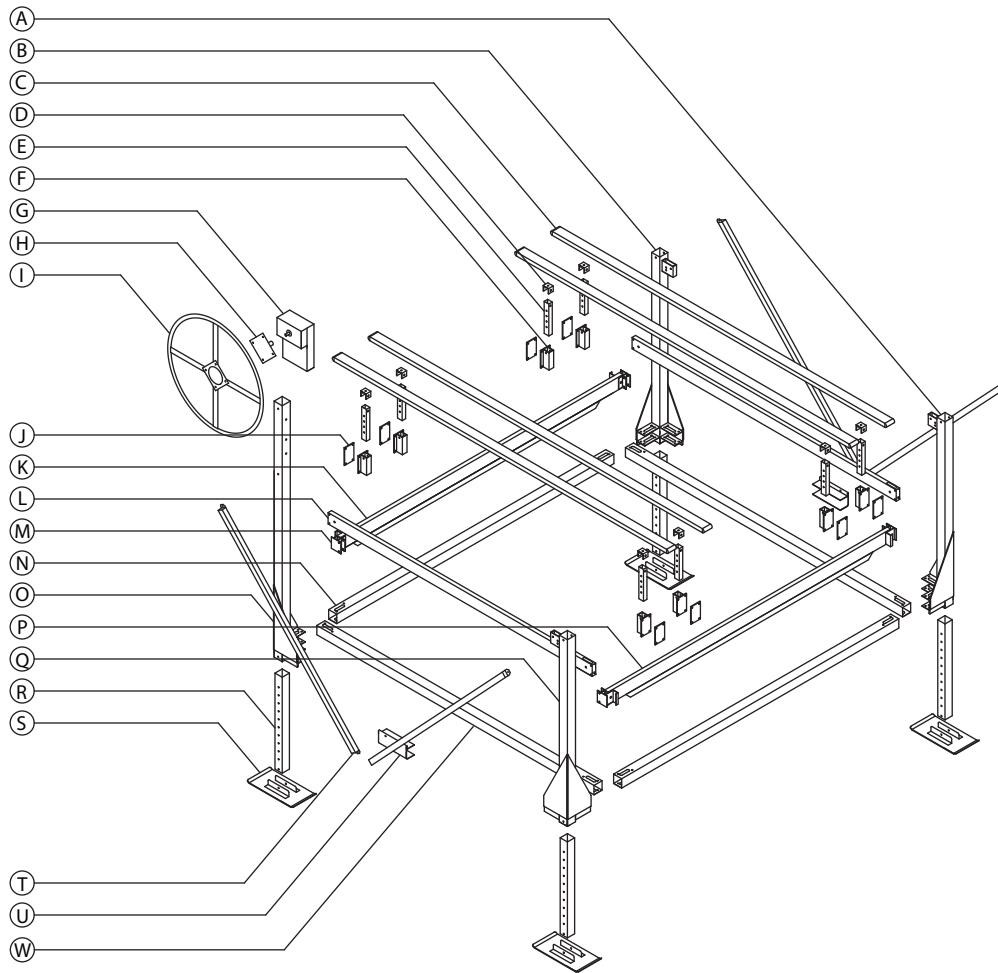
REF.	PART NO.	PART NAME	QTY.
A	20901	Mainframe Post #3	1
B	20900	Mainframe Post #2	1
C	BUNKAV	Bunk Assembly	2
D	21026	Bunk Channel	4
E	BDL12	Bunk Down Leg	4
F	20902	Bunk Socket	4
G	W6	5000 lb. Winch	1
H	20886	Shaft Adapter	1
I	LS2005B	41" Wheel	1
J	20904	Bunk Socket Plate	4
K	21044	Cradle Front	1
L	21039	Cradle Spreader	2
M	21035	Cradle Corner Bracket	4
N	20837	Mainframe Spreader 120"	2
O	20832	Mainframe Post #1	1
P	21044	Cradle Rear	1
Q	20900	Mainframe Post #4	1
R	20989	Leg Tube 36"	4
S	20990	Foot Pad	4
T	20840	Diagonal Brace	4
U	20860	Diagonal Bracket	2
W	20837	Mainframe Spreader 120"	2

## REPLACEMENT PARTS

PART NO.	PART NAME	QTY.
20858SS	Cable Front 120B K 5/16" x 276" SS	1
20857	Cable Side J 5/16" x 180.75" SS	2
20854	Cable Rear 120BP O 5/16" x 192" SS	2



# LSV50120CP Vertical Pontoon Lift, 5000 lbs. Capacity, 120" Beam Width, 52" Lift Height



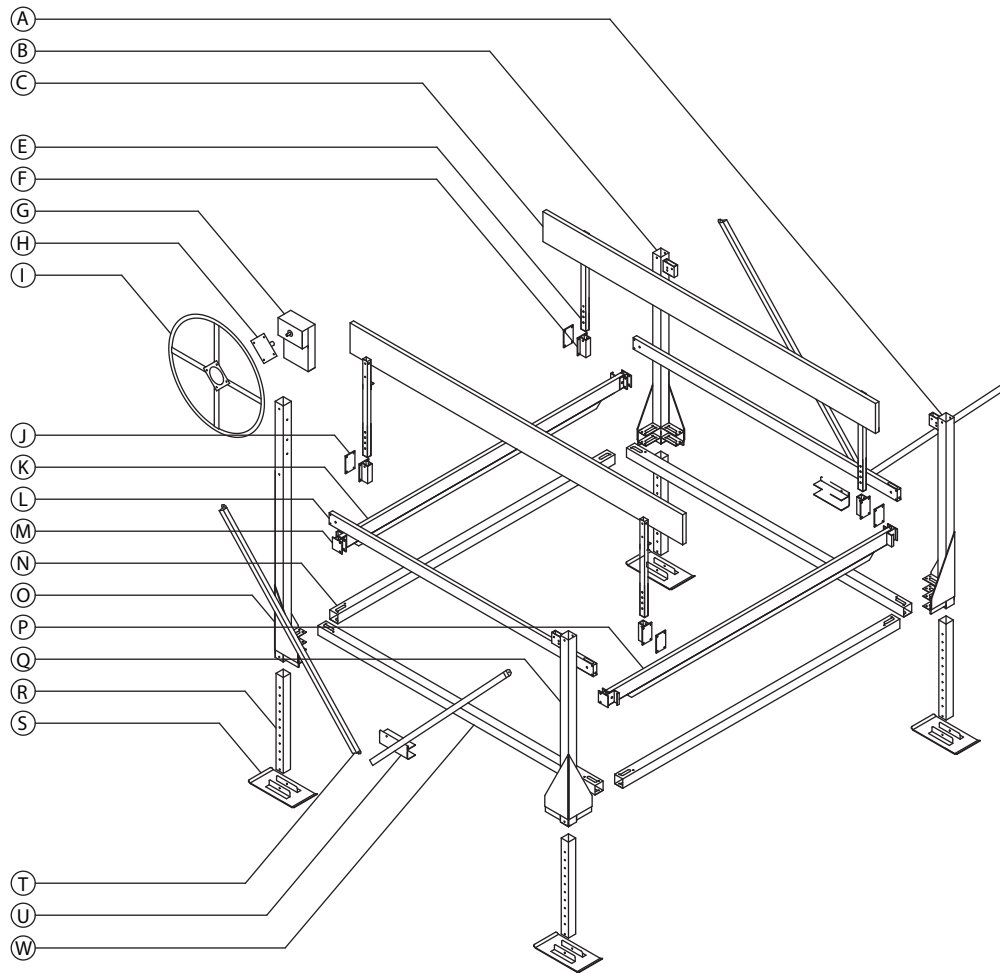
## PARTS LIST LSV50120CP

REF.	PART NO.	PART NAME	QTY.
A	20901	Mainframe Post #3	1
B	20900	Mainframe Post #2	1
C	BUNKAV	Bunk Assembly	4
D	21026	Bunk Channel	8
E	BDL12	Bunk Down Leg	8
F	20902	Bunk Socket	8
G	W6	5000 lb. Winch	1
H	20886	Shaft Adapter	1
I	LS2005B	41" Wheel	1
J	20904	Bunk Socket Plate	8
K	21044	Cradle Front	1
L	21039	Cradle Spreader	2
M	21035	Cradle Corner Bracket	4
N	20837	Mainframe Spreader 120"	2
O	20832	Mainframe Post #1	1
P	21044	Cradle Rear	1
Q	20900	Mainframe Post #4	1
R	20989	Leg Tube 36"	4
S	20990	Foot Pad	4
T	20840	Diagonal Brace	4
U	20860	Diagonal Bracket	2
W	20837	Mainframe Spreader 120"	2

## REPLACEMENT PARTS

PART NO.	PART NAME	QTY.
20858SS	Cable Front 120B K 5/16" x 276" SS	1
20857	Cable Side J 5/16" x 180.75" SS	2
20854	Cable Rear 120BP O 5/16" x 192" SS	2

# LSV50120CP-U Vertical Pontoon Lift, 5000 lbs. Capacity, 120" Beam Width, 52" Lift Height



## PARTS LIST LSV50120CP-U

REF.	PART NO.	PART NAME	QTY.
A	20901	Mainframe Post #3	1
B	20900	Mainframe Post #2	1
C		2 x 12 x 16' SYP Board (purchased locally)	2
E	20895	Under Deck Down Leg	4
F	20902	Bunk Socket	4
G	W6	5000 lb. Winch	1
H	20886	Shaft Adapter	1
I	LS2005B	41" Wheel	1
J	20904	Bunk Socket Plate	4
K	21044	Cradle Front	1
L	21039	Cradle Spreader	2
M	21035	Cradle Corner Bracket	4
N	20837	Mainframe Spreader 120"	2
O	20832	Mainframe Post #1	1
P	21044	Cradle Rear	1
Q	20900	Mainframe Post #4	1
R	20989	Leg Tube 36"	4
S	20990	Foot Pad	4
T	20840	Diagonal Brace	4
U	20860	Diagonal Bracket	2
W	20837	Mainframe Spreader 120"	2

## REPLACEMENT PARTS

PART NO.	PART NAME	QTY.
20858SS	Cable Front 120B K 5/16" x 276" SS	1
20857	Cable Side J 5/16" x 180.75" SS	2
20854	Cable Rear 120BP O 5/16" x 192" SS	2