



LSC648
650# Jet Lift

By *Lakeshore Products, Inc.*

Instruction Sheet.
Read carefully. Failure to
follow the instructions and
safety rules could result in
severe injury or death!!!

LSC648 Parts List

Ref. No.	Part No.	Part Name	Qty
1	KNOB	Spinner Knob	1
2	Y556	1/2 Jam Nut	1
3	20151	Winch Spring	1
4	LS1102	25" JL Wheel	1
5	20476	Dutton-Lainson DLB-800 Winch	1
6	20462	1 1/2 x 3 Plastisol Cap	2
7	20455	Mainframe	2
8	20641	Pulley Bar Assy	1
9	20424	Wood Bunk	2
10	20477	Wood Angle	4
11	20478	Wood Backer Plate	4
12	20459	Cradle	2
13	20456	H Unit	2
14	20470	Mainframe Spreader Tube	1
16	20419	Cable	1
18	20458	Leg	4
19	20461	1 1/4 x 1 1/2 Plastisol Cap	4
20	20447	Stop Angle	2
21	20576	Cradle Tie Bars	2
22	20576	Cradle Tie Bar	2

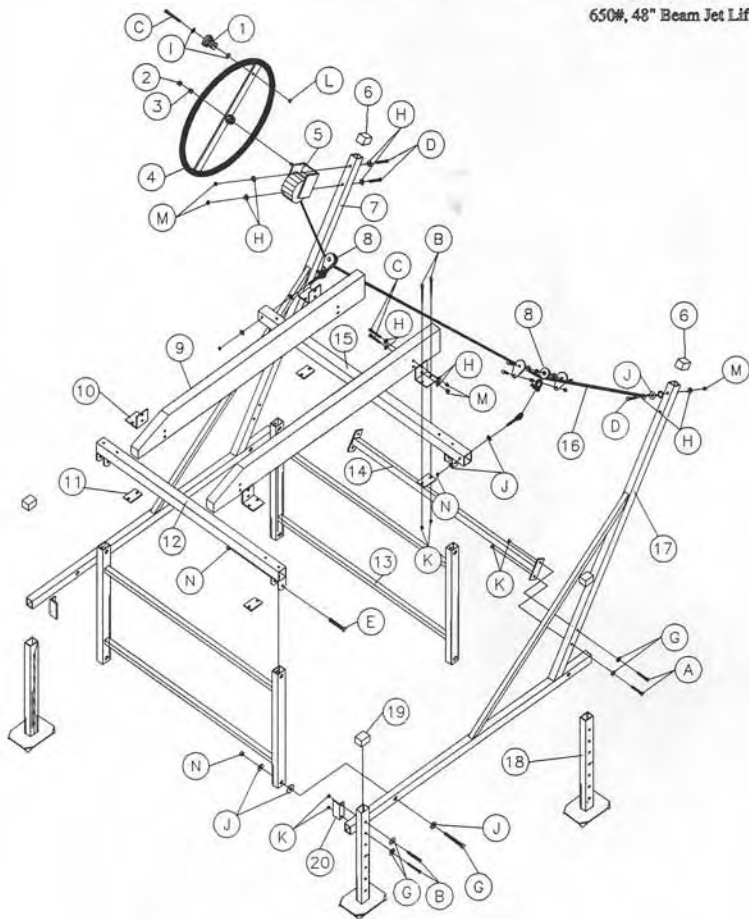
LSC648 Bolts List

* Available locally

A	Y310	*	5/16 x 2 1/4 Hex Bolt	4
B	Y326	*	5/16 x 3 1/2 Hex Bolt	16
C	Y410	*	3/8 x 2 1/2 Hex Bolt	9
D	Y416	*	3/8 x 4 Hex Bolt	3
E	Y514	*	1/2 x 3 1/2 Hex Bolt	4
F	Y519	*	1/2 x 4 1/2 Hex Bolt	4
G	Y352	*	5/16 Flatwasher	12
H	Y452	*	3/8 Flatwasher	14
I	X452	*	3/8 Stainless Flatwasher	2
J	Y552	*	1/2 Flatwasher	13
K	Y353	*	5/16 Center Lock Nut	20
L	Y450	*	3/8 Hex Nut	1
M	Y451	*	3/8 Nylon Lock Nut	11
N	Y551	*	1/2 Nylon Lock Nut	8

LAKESHORE PRODUCTS, INC.
888 CHICAGO ROAD • OLIVETON, MICHIGAN 49082 • TEL. (617) 838-8818 • FAX: (617) 838-4678

LSC648
650#, 48" Beam Jet Lift



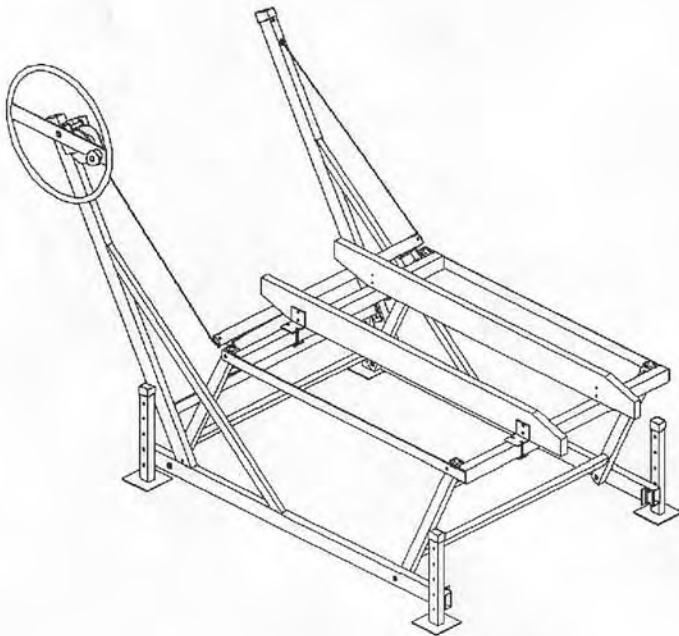
LSC648

Lakeshore Products, Inc. 650#, 48" Beam Jet Lift

We have made every attempt to make assembly of your new lift as simple as possible. You should have received three shipping bundles. The mainframe bundle, containing all of the large parts, the wheel package, and an accessory package. Following is a list of the components included in your accessory package. You will notice that the bolts are individually bagged to represent the assembly steps. The contents of these bags will be listed under the step it is to be used for.

Accessory Package List:

- (8) Step # Bolt Packages
- (4) 1-1/2 x 2 red plastisol caps
- (2) 1-1/2 x 3 red plastisol caps
- (1) Cable with loop in one end
- (1) 1200# D/L winche
- (1) Winch Hardware Package
- This Instruction Sheet



You will require the following tools:

- (2) 1/2 wrenches
- (2) 9/16 wrenches
- (2) 3/4 wrenches
- or (2) crescent wrenches

CAUTION Do not overtighten the nuts and bolts on your lift. Doing so may cause the lift to fail. When tightening against a tube, tighten until the aluminum just dimples. Lock nuts should be tightened until at least one thread of the bolt is showing through the nut. If you crush the tube, it may crack and fail under normal use.

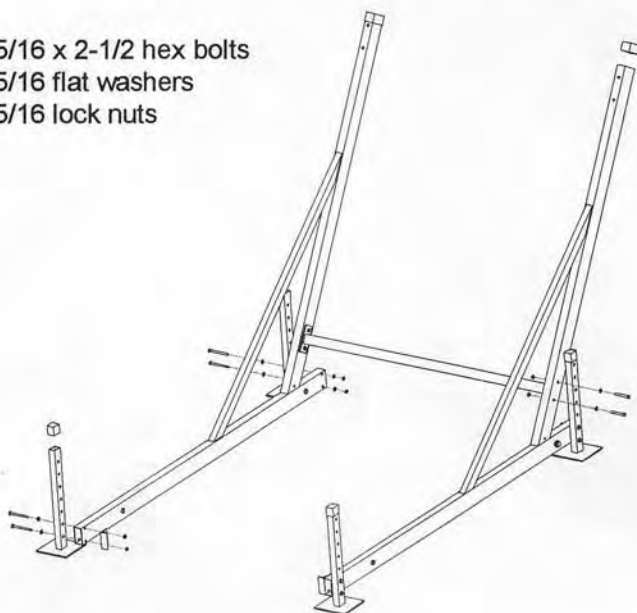
1) Set up the Mainframes on a level area. Install the Legs using:

- (8) 5/16 x 3 1/2 hex bolts
- (8) 5/16 lock nuts
- (12) 5/16 flat washers
- (2) Angle stops

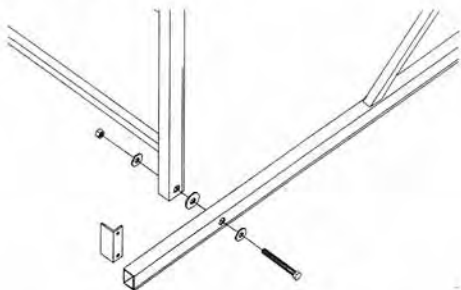
Install the red plastisol caps on top of the Mainframe and the Legs.

2) Bolt the Mainframe Spreader Tube between the Mainframes using:

- (4) 5/16 x 2-1/2 hex bolts
- (4) 5/16 flat washers
- (4) 5/16 lock nuts



3) Install the H Units with:

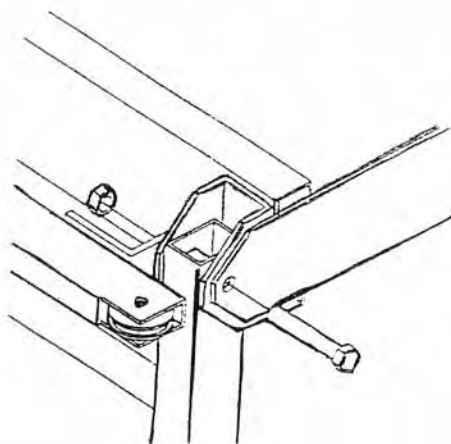


- (4) 1/2 x 4 1/2 hex bolts
- (12) 1/2 flat washers
- (4) 1/2 nylon lock nuts

Place a washer under the head of the bolt, under the nut, and between the H Unit and the Main-frame.

4) Install one cradle, the pulley bar assembly, and the cradle tie bars to the front H-unit and the other Rear cradle with the cradle tie bars to the rear H-unit using:

- (4) 1/2 x 3-1/2 hex bolts
- (4) lock nuts

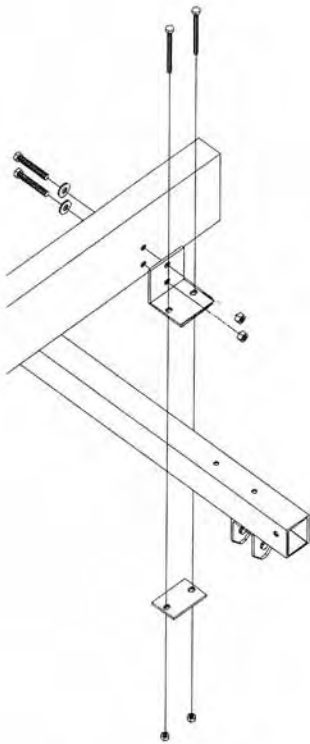


DO NOT TIGHTEN ANY BOLTS YET!!!

5) Attach the Wood Angles to the Wood Bunks with:

- (8) 3/8 x 2-1/2 hex bolts
- (8) 3/8 flat washers
- (8) 3/8 lock nuts

The bolt heads should be against the wood and the lock nuts against the angle, both with a single washer under them. Attach two angles on the outside of each board.



6) Attach the boards to the cradle using:

- (8) 5/16 x 3-1/2 hex bolts
- (8) 5/16 lock nuts
- (4) Wood Backer Plates

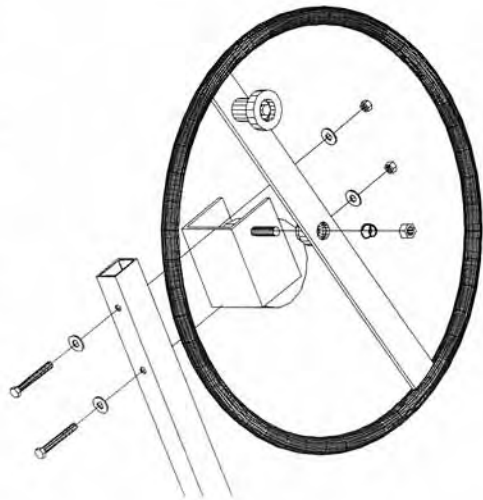
When tightening these bolts, make certain that the Wood Angles and the Wood Backer Plates tighten flat against both the Front and Rear Cradles. Adjust the boards to the proper width for your personal watercraft.

7) Install the winch on the desired side of the lift with:

- (2) 3/8 x 4 hex bolts
- (4) 3/8 flat washers
- (2) 3/8 lock nuts

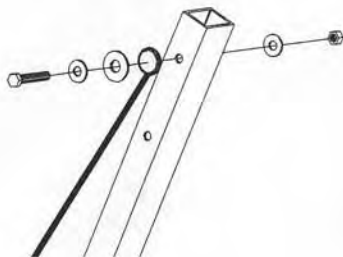
8) CAREFULLY thread the 25" Wheel onto the Winch and secure it with (1) Winch Spring and (1) 1/2 Jam Lock Nut. Winch instructions are included with the Winch.

NOTE: Extreme care should be taken not to crossthread and damage the threads on the wheel hub. This is not covered by warranty. Once the wheel is threaded on, you should hear the braking mechanism click as you turn the wheel clockwise. If you do not hear the clicking sound, the wheel needs to be threaded farther onto the spindle.



9) Attach the Cable to the Mainframe opposite the Winch using:

- (1) 3/8 x 4 hex bolt
- (2) 3/8 flat washers
- (1) 1/2 flat washer
- (1) 3/8 lock nut.



String the cable as shown in the exploded view and secure it to the Winch following the instructions included with the Winch.

You may now tighten all of the nuts and bolts you have installed. **Be careful not to overtighten.**

WARNING!!! Inspect your lift often to insure safe use. Replace any worn or damaged parts immediately!! **DO NOT** use the lift if any parts are worn or damaged.

10) Move your lift into the water and adjust its legs so that the lift is level. Do this by removing the clevis pin, sliding the leg to the desired position, and then replacing the clevis pin and S-bend cotter. Adjust the bunks to best fit your craft.

IMPORTANT

Your Lakeshore Jet Lift will only protect your personal watercraft if the craft is lifted well above the level of the water. In larger lakes or during storms, large waves may lift the craft from the lift or tip the lift over, causing damage both to the craft and the lift. You must take precautions to protect your craft and lift from these conditions. If your craft suffers damage from high waves, Lakeshore Products will not accept responsibility for such damage.

Inspect your lift often for signs of wear or improper operation. Be aware of normal cranking force. Any increase in cranking force is a sign that something is wrong.

Pay attention to the condition of your cable. A frayed or rusted cable can lead to failure of the lift. Replace it immediately.

In Deep Water?

If you have a deep lake and are in need of longer legs, Lakeshore Products, Inc. offers 4 foot long legs for your Jet Lift. Ask your dealer for details or call us at (517) 639-3815.

Hold Down Kit

If you have difficulties with rough water and are concerned about your lift tipping over, there is a solution. Lakeshore Products offers a simple kit that screws into the lake bottom to hold your lift steady. Ask your dealer for details.

Lakeshore Products, Inc

is

Your waterfront specialist!

We offer a complete line of Quality Aluminum
waterfront accessories.

Vertical Boatlifts

Cantilever Boatlifts

Pontoon Lifts

Personal Watercraft Lifts

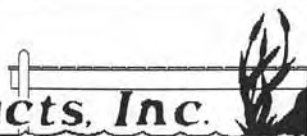
Docks and accessories

Pontoon Ladders

Anchors

Ask your dealer for details.

Lakeshore Products, Inc.



Ten/Two Year Limited Warranty

Lakeshore Products, Inc. (Seller) warrants the aluminum structure on docks and lifts of its manufacture to be free from defects caused by faulty material or poor workmanship. Seller will, at its option, repair or replace any such goods found on examination by Seller, to be defective under normal use and service within ten years from date of purchase. Upon discovery of any such defect, Buyer must notify Seller in writing of defect and provide proof of purchase. Seller warrants cast aluminum parts, mechanical components, and hardware for two years.

Seller shall not be held responsible for repairs or modifications to its docks or lifts unless authorization has been obtained from Seller. This warranty does not cover damage caused by incorrect assembly or adjustments, overloading, improper use, neglected maintenance, alterations, or damage caused by accident, ice, salt water, or acts of God.

Components obtained from other manufacturers and used in Seller's products will be covered under the manufacturer's warranty and shall not be the responsibility of the Seller.

Seller's responsibility under this warranty shall be the repair or replacement of defective items. Seller is not liable for incidental or consequential damages of any kind.

855 Chicago Rd • Quincy, Michigan 49082 • (517) 639-3815 • Fax (517) 639-4576

Lakeshore Products, Inc.



"Your Waterfront Specialists"

855 Chicago Road • Quincy, Michigan 49082

(517) 639-3815 • Fax: (517)639-4576