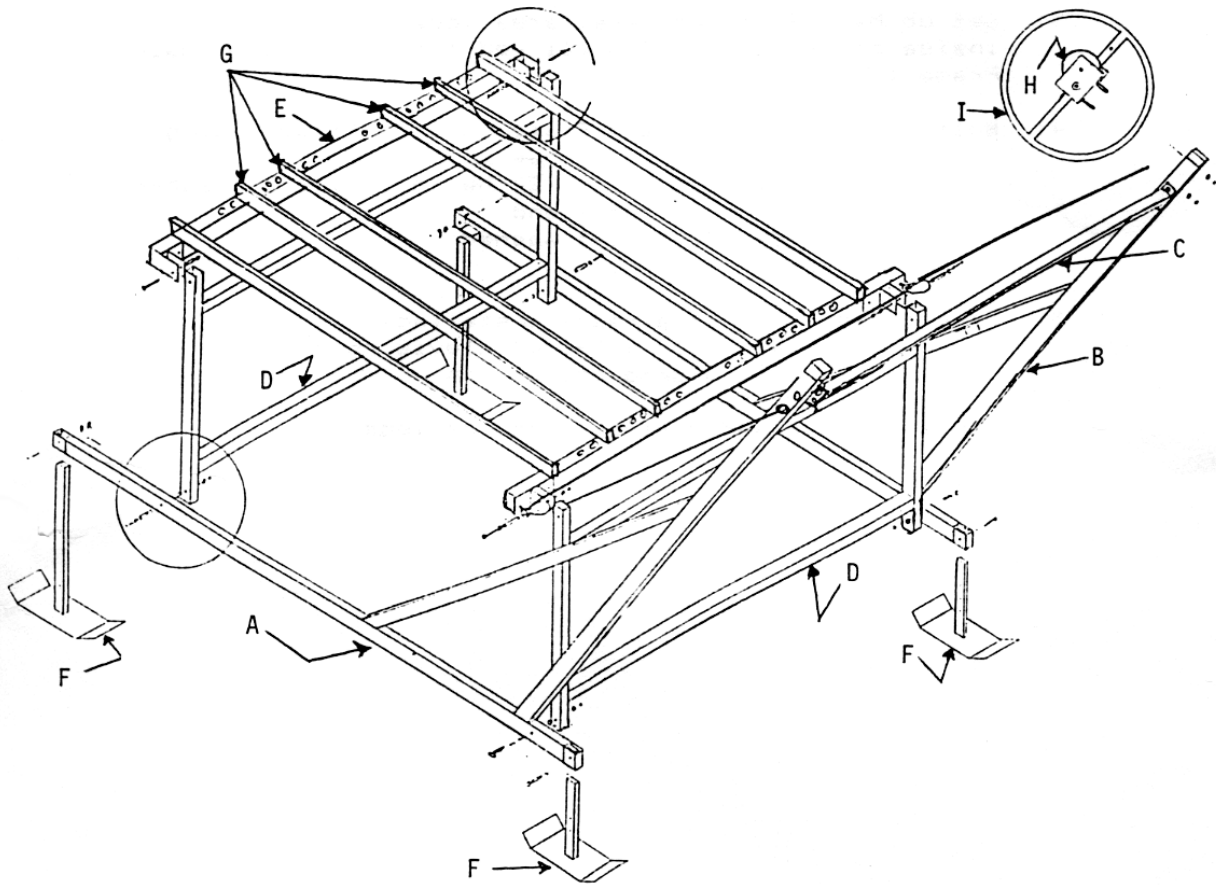


# JLD



# JLD PWC Lift, 1200 lbs. Load Capacity, 96" Beam Width, 30" Lift Height

## PARTS LIST

REF.	PART NO.	PART NAME	QTY.
A	JMFRD	Right Mainframe	1
B	JMFLD	Left Mainframe	1
C	20026	Mainframe Spreader Tube	1
D	JHUD	H Unit	2
E	JCUD	Cradle Unit	1
F	JLU	24" Adjustable Foot	4
G	20465	60" Wood Bunk	4
H	JLDWINCHD	Winch	1
I	LS1102	Wheel	1
	H115	Cable 3/6" x 23' w/loop	1