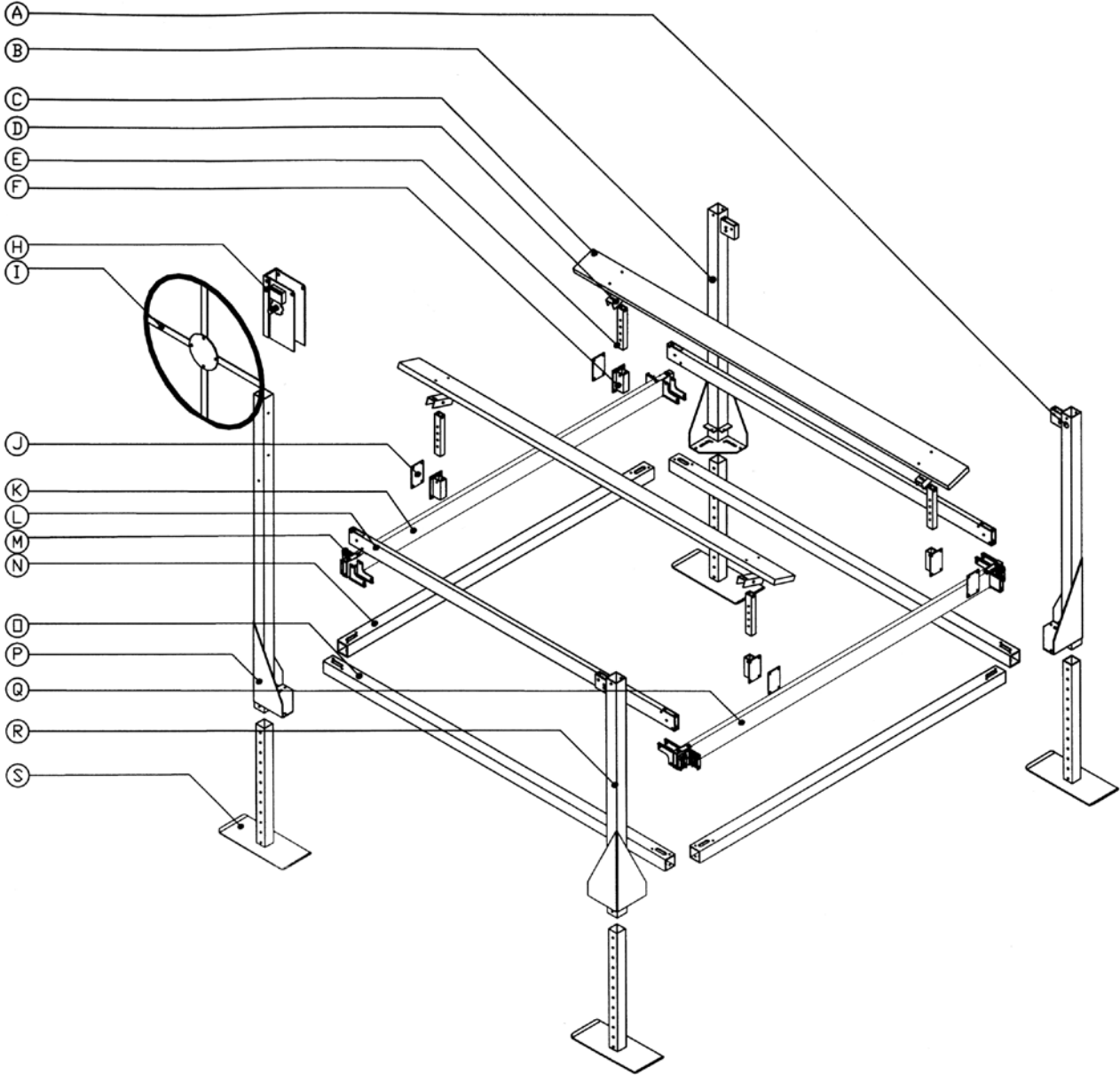


LSV20100B



LSV20100B Vertical Lift, 2000 lbs. Load Capacity, 100" Beam Width, 54" Lift Height

PARTS LIST

REF.	PART NO.	PART NAME	QTY.
A	20834	Mainframe Post #3	1
B	20833	Mainframe Post #2	1
C	BUNK2000B	Bunk Assembly	2
D	BU07	Bunk Channel	4
E	BDL12	Bunk Down Leg	4
F	20676	Bunk Socket	4
H	W5	3500 lb. Winch	1
I	LS2005B/20886	41" Wheel/Shaft Adapter	1/1
J	20678	Bunk Socket Plate	4
K	20877F	Cradle Front	1
L	20878	Cradle Spreader	2
M	20862	Cradle Roller Kit	4
N/O	20879	Mainframe Spreader 100"	2
P	20832	Mainframe Post #1	1
Q	20877R	Cradle Rear	1
R	20833	Mainframe Post #4	1
S	20835	Leg Weld Assembly 36"	4

REPLACEMENT PARTS LIST *Cables, Sheaves, Caps*

PART NO.	PART NAME	QTY.
20856	Cable Front 100/108B I 5/16" X 258" Galv.	1
20881	Cable Side 100B M 1/4" X 161.5" SS	2
20882	Cable Rear 100B N 1/4" X 171" SS	2
20532B	Pulley Sheave 3.75" Brass Kit Single Front/Side	2
20531B	Pulley Sheave 3.5" Steel Kit Double Rear	2
20871	Single Pulley System Nylon Kit	4
20889	Cradle Roller Kit B	16
CAPS3535	Black Plastisol 3.5" x 3.5"	4

BOLT LIST

PART NO.	PART NAME	QTY.	PART NO.	PART NAME	QTY.
20848	STEP 1		Y508	1/2 x 2 Hex Bolt	2
Y418	3/8 x 4 1/2 Hex Bolt	16	Y551	1/2 Hex Lock Nut	2
Y451	3/8 Hex Lock Nut	16	SHACKLE	3/8 Shackle	2
Y452	3/8 Flat Washer	16	20851	STEP 4	
CP1	3/8 x 4 Bent Clevis Pin	4	Y410	3/8 x 2 1/2 Hex Bolt	4
HPC	1/8 Hairpin Cotter	4	Y451	3/8 Hex lock Nut	4
20849	STEP 2		Y508	1/2 x 2 Hex Bolt	2
Y420	3/8 x 5 Hex Bolt	2	Y551	1/2 Hex Lock Nut	2
Y451	3/8 Hex Lock Nut	2	SHACKLE	3/8 Shackle	2
Y508	1/2 x 2 Hex Bolt	1	20852	STEP 5	
Y551	1/2 Hex Lock Nut	1	Y410	3/8 x 2 1/2 Hex Bolt	16
Y552	Large Aluminum Washer	2	Y451	3/8 Hex Lock Nut	16
20850	STEP 3		CP	3/8 x 2 1/2 Clevis Pin	4
Y410	3/8 x 2 1/2 Hex Bolt	4	HPC	1/8 Hairpin Cotter	4
Y451	3/8 Hex Lock Nut	4			