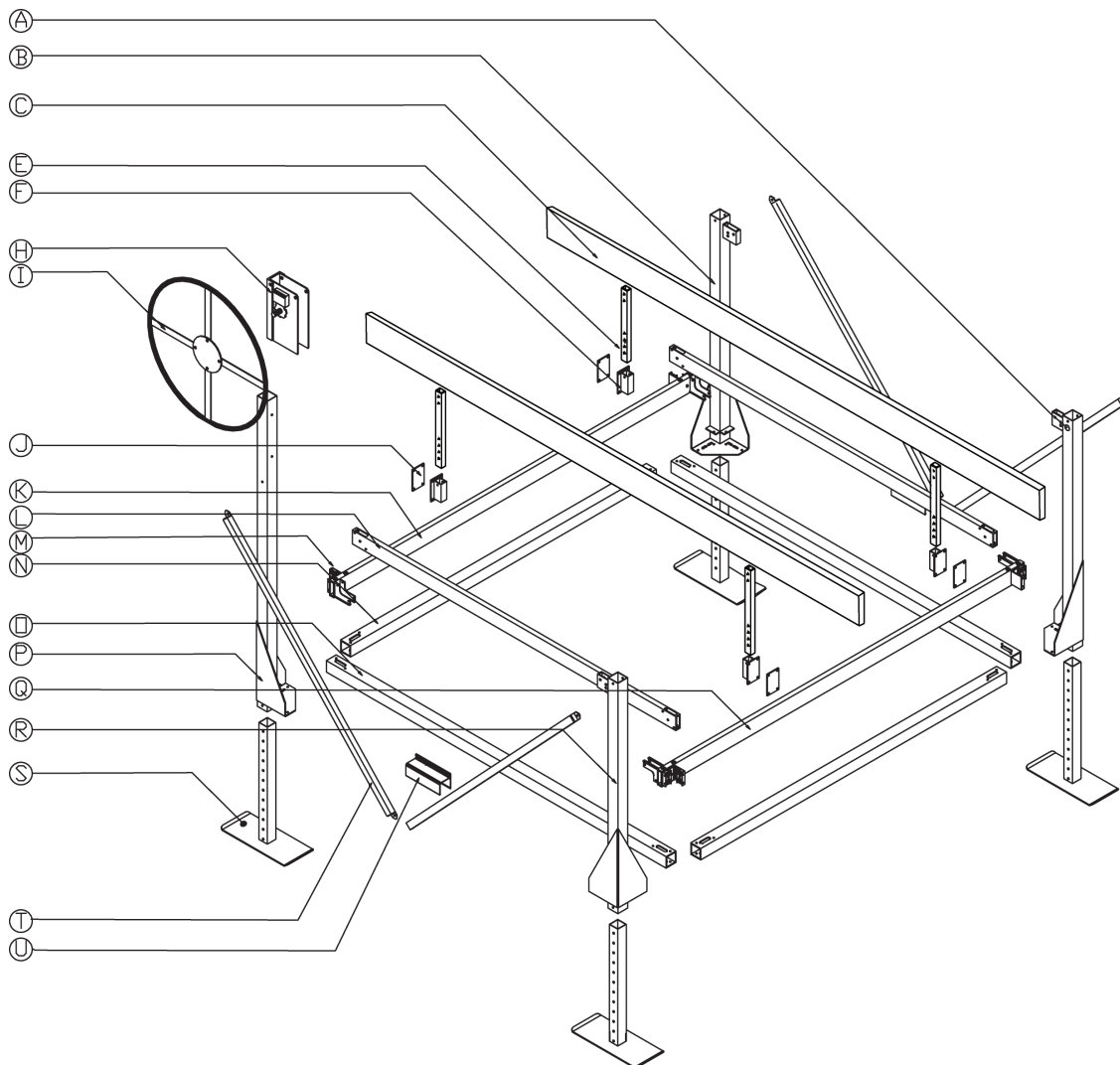


# LSV30/40/50120BP-U

## BOLT LIST

PART NO.	PART NAME	QTY.	PART NO.	PART NAME	QTY.
20848	STEP 1		20850	STEP 3	
Y420	3/8" x 5 hex bolt	16	Y410	3/8" x 2-1/2" hex bolt	4
Y451	3/8" hex lock nut	16	Y451	3/8" hex lock nut	4
Y452	3/8" flat washer	32	Y508	1/2" x 2" hex bolt	2
CP1	3/8" x 4" bent clevis pin	4	Y551	1/2" hex lock nut	2
HPC	1/8" hairpin cotter	4	SHACKLE	3/8" shackle	2
20849	STEP 2		20851	STEP 4	
Y420	3/8" x 5" hex bolt	2	Y410	3/8" x 2-1/2" hex bolt	4
Y451	3/8" hex lock nut	2	Y451	3/8" hex lock nut	4
Y508	1/2" x 2" hex bolt	1	Y508	1/2" x 2" hex bolt	2
Y551	1/2" hex lock nut	1	Y551	1/2" hex lock nut	2
Y552	large aluminum washer	2	SHACKLE	3/8" shackle	2
20890	5/32 allen wrench	1	20852	STEP 5	
			Y410	3/8" x 2-1/2" hex bolt	16
			Y451	3/8" hex lock nut	16
			CP	3/8" x 2-1/2" clevis pin	4
			HPC	1/8" hairpin cotter	4



# LSV30/40/50120BP-U

Vertical Pontoon Lift, 3000/4000/5000 lbs. Load Cap.,  
120" Beam Width, 52" Lift Height

## PARTS LIST LSV30120BP-U

REF.	PART NO.	PART NAME	QTY.
A	20834	Mainframe Post #3	1
B	20833	Mainframe Post #2	1
E	20895	Bunk Under Deck Down Leg	4
F	20676	Bunk Socket	4
H	W4	4000 lb. Winch	1
I	LS2005B/20886	41" Wheel/Shaft Adapter	1/1
J	20678	Bunk Socket Plate	4
K	20885F	Cradle Front	1
L	20839	Cradle Spreader	2
M	20862	Cradle Roller Kit	4
N	20837	Mainframe Spreader 120"	2
O	20837	Mainframe Spreader 120"	2
P	20832	Mainframe Post #1	1
Q	20885R	Cradle Rear	1
R	20833	Mainframe Post #4	1
S	20835	Leg Weld Assembly 36"	4

## PARTS LIST LSV40120BP-U *same as LSV30120BP-U with the addition of:*

REF.	PART NO.	PART NAME	QTY.
T	20840	Diagonal Brace	4
U	20860	Diagonal Bracket	2
	20863	Bolt Package for Diagonal	1

## PARTS LIST LSV50120BP-U *same as LSV40120BP-U but replace:*

REF.	PART NO.	PART NAME	QTY.
A	20901	Mainframe Post #3	1
B	20900	Mainframe Post #2	1
F	20902	Bunk Socket	4
H	W6	Winch	1
J	20904	Bunk Socket Plate	4
K	20898F	Front Cradle	1
Q	20898R	Rear Cradle	1
R	20900	Mainframe Post #4	1

## REPLACEMENT PARTS LIST *Cables, Sheaves, Caps*

PART NO.	PART NAME	QTY.
20858	Cable Front 120B K 5/16" X 292" Galv.	1
20857	Cable Side J 5/16" X 180.5" SS	2
20854	Cable Rear 120BP O 5/16" X 192.5" SS	2
20532B	Pulley Sheave 3.75" Brass Kit Single Front/Side	6
20531B	Pulley Sheave 3.5" Steel Kit Double Rear	2
20889	Cradle Roller Kit B	16
CAPS3535	Cap Black Plastisol 3.5" x 3.5"	4