



LIFTS, DOCKS and ACCESSORIES

Proudly made in Michigan since 1982



www.lakeshoreproducts.com

BOAT LIFTS

VERTICAL : Perfect for Shallow Water, Deep Water, and Uneven Bottoms

page 9 & 11

Includes manual winch, wheel, 3' legs, and 1 set of vinyl wrapped bunks.



LSV20100C LSV30108C LSV40108C LSV30120C LSV40120C LSV50120C LSV75120C*

	LSV20100C	LSV30108C	LSV40108C	LSV30120C	LSV40120C	LSV50120C	LSV75120C*
load capacity	2000 lbs	3000 lbs	4000 lbs	3000 lbs	4000 lbs	5000 lbs	7500 lbs
beam width	100"	108"	108"	120"	120"	120"	120"
outside width	107.75"	115.75"	115.75"	127.75"	127.75"	127.75"	128.75"
lift height	54"	54"	54"	54"	54"	52"	50"
weight	345 lbs	395 lbs	420 lbs	405 lbs	430 lbs	470 lbs	642 lbs
leg extensions	LS5104B (4' Pair) • LS5105B (5' Pair) • LS5106B (6' Pair)						
walk on guide on	WOGO30B			WOGO50B			
pontoon bunk set	VPRB			VPRB-50 VPRB-HD		VPRB-HD	
under deck bunk bundle	LS5004BU	N/A		LS5004BU			
under deck poly rail kit	LS5013BU	N/A		LS5013BU			
direct drive motor kit	MKLTA (AC) • MKLTAR (AC w/remote) • MKLTD (DC) • MKLTDR (DC w/ remote)						*
wheel assist motor kit	BL12VM (motor kit 12v) • BL110VM (motor kit 110v)						N/A
lift removal wheel kit	WK						
canopy frame + 5' legs	18AF100B 20AF100B	22AF108B • 24AF108B • 26AF108B		22AF120B • 24AF120B • 26AF120B • 28AF120B • 30AF120B			
leg extensions	LS5008B (6' Set) • LS5009B (7' Set)						
brace kit	LS6001 (included in 28AF120B and 30AF120B)						
canvas (BL, GY, TN)	CAN18100 CAN20100	CAN22108 • CAN24108 • CAN26108		CAN22120 • CAN24120 • CAN26120 • CAN28120 • CAN30120			

CANTILEVER : Lightweight and Inexpensive

page 13



LSC1576

load capacity	1500 lbs
beam width	76.5"
outside width	83.75"
lift height	35"
weight	230 lbs
leg extension kit 4'	LS502
direct drive motor install kit	20996

All of our lifts are constructed of high strength alloy aircraft aluminum with stainless & brass hardware for years of trouble free use.

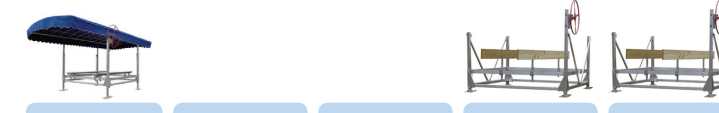
*includes 24V DC Power System with Solar Panel and Battery Tray

PONTOON LIFTS

VERTICAL : Best for Deep Water and Uneven Bottoms

page 9 & 15

Includes manual winch, wheel, 3' legs. CP models include 2 sets of vinyl wrapped bunks. CP-U models include Underdeck Bunk Bundle (wood not included).



LSV30120CP LSV30120CP-U LSV40120CP LSV40120CP-U LSV50120CP LSV50120CP-U LSV75120CP* LSV75120CP-U*

	LSV30120CP	LSV30120CP-U	LSV40120CP	LSV40120CP-U	LSV50120CP	LSV50120CP-U	LSV75120CP*	LSV75120CP-U*
load capacity	3000 lbs	3000 lbs	4000 lbs	4000 lbs	5000 lbs	5000 lbs	7500 lbs	7500 lbs
beam width	120"	120"	120"	120"	120"	120"	120"	120"
outside width	127.75"	127.75"	127.75"	127.75"	127.75"	127.75"	128.75"	128.75"
lift height	54"	54"	54"	54"	52"	52"	50"	50"
weight	425 lbs	425 lbs	450 lbs	450 lbs	490 lbs	490 lbs	720 lbs	720 lbs
leg extensions	LS5104B (4' Pair) • LS5105B (5' Pair) • LS5106B (6' Pair)							
walk on guide on	WOGO30B				WOGO50B			
pontoon bunk set	VPRB			VPRB-50 VPRB-HD		VPRB-HD		
under deck bunk bundle	LS5004BU							
under deck poly rail kit	LS5013BU							
direct drive motor kit	MKLTA (AC) • MKLTAR (AC w/remote) • MKLTD (DC) • MKLTDR (DC w/ remote)						*	
wheel assist motor kit	BL12VM (motor kit 12v) • BL110VM (motor kit 110v)						N/A	
lift removal wheel kit	WK							
canopy frame + 5' legs	22AF120B • 24AF120B • 26AF120B • 28AF120B • 30AF120B							
leg extensions	LS5008B (6' Set) • LS5009B (7' Set)							
brace kit	LS6001 (included in 28AF120B and 30AF120B)							
canvas (BL, GY, TN)	CAN22120 • CAN24120 • CAN26120 • CAN28120 • CAN30120							

CANTILEVER : Best for Shallow Water Operation

page 17

*includes 24V DC Power System with Solar Panel and Battery Tray



LSP20H LSP20H + LSP04H LSP20H + LSP04H (2)

	LSP20H	LSP20H + LSP04H	LSP20H + LSP04H (2)
load capacity	3600 lbs	3600 lbs	3600 lbs
cradle length	20'	24'	28'
outside width	47.75"	47.75"	47.75"
lift height	60"	60"	60"
weight	350 lbs	370 lbs	390 lbs
lift extension	LSP04H		
leg extension kit	PLK1 (1') • PLK2 (2') • PLK3 (3') • PLK4 (4')		
carpeted bow stop	BSP		
motor kit adapter	EMPKIT		
wheel assist motor kit	BL12VM (motor kit 12v) • BL110VM (motor kit 110v)		
pontoon stabilizer kit	PSK		

CANVAS COLORS

STANDARD COLORS:



Canopy fabric is durable Shelter-Rite®18 oz. vinyl coated polyester. Made in the USA.

CUSTOM COLORS, SPECIAL SIZES and CUSTOM CURTAINS are available.

PWC LIFTS

VERTICAL : Best for Fluctuating Water Levels page 21



LSV1364

load capacity	1300 lbs
beam width	64"
outside width	72"
lift height	61"
weight	200 lbs

leg extensions	LS855 (4' Pair)
direct drive motor install kit	20996
canopy frame + 1' legs	14AF64 • 16AF64
canvas (BL, GY, TN)	CAN1464 • CAN1664

CANTILEVER : Lightweight & Inexpensive page 23



LSC1264



LSC850



LSC850D

load capacity	1200 lbs	800 lbs	800 lbs
cradle length	64"	50"	50"
outside width	71.75"	54"	110" (double)
lift height	35"	28"	28"
weight	170 lbs	105 lbs	225 lbs

leg extensions	N/A	LS855 (4' Pair)	
leg extension kit 4'	LS803	N/A	
paddle boat bunk set	LS802		
direct drive motor install kit	20996	N/A	
canopy frame + 1' legs	14AF64C	N/A	
canvas (BL, GY, TN)	CAN1464C	N/A	



Dog Days of Summer



Send us a picture of your dog enjoying the lake this summer and one lucky dog will be selected to appear on our cover next year!

See our website for more details and to submit your entry.

www.lakeshoreproducts.com

CANOPIES

FREESTANDING CANOPIES : Works Over a Pontoon Boat, PWC Lift, or as Shade Over Your Dock page 19



24AF120FS 26AF120FS 28AF120FS 30AF120FS

width	120"	120"	120"	120"
length	24'	26'	28'	30'
canvas (BL, GY, TN)	CAN24120	CAN26120	CAN28120	CAN30120

CANOPIES : Vertical Lifts page 18

	18AF100B	20AF100B	22AF108B	24AF108B	26AF108B	22AF120B	24AF120B	26AF120B	28AF120B	30AF120B
width	100"	100"	108"	108"	108"	120"	120"	120"	120"	120"
length	18'	20'	22'	24'	26'	22'	24'	26'	28'	30'
leg extensions	LS5008B (6' Set) • LS5009B (7' Set)									
brace kit	LS6001 (included in 28AF120B and 30AF120B)									
canvas (BL, GY, TN)	CAN18100	CAN20100	CAN22108	CAN24108	CAN26108	CAN22120	CAN24120	CAN26120	CAN28120	CAN30120

CANOPIES : PWC Lifts pages 21 & 23

	14AF64C	14AF64	16AF64
lift	LSC1264	LSV1364	
width	72"	72"	72"
length	14'	14'	16'
canvas (BL, GY, TN)	CAN1464C	CAN1464	CAN1664

ACCESSORIES



DIRECT DRIVE ELECTRIC MOTOR KIT WHEEL ASSIST ELECTRIC MOTOR



Determine Boat Type

TOWER BOAT (V DRIVE)	SKI BOAT (INBOARD)	INBOARD / OUT-BOARD	OUTBOARD	PONTOON	TRITOON	PWC

Determine Wet Weight

$$\text{WET WEIGHT} = \text{DRY WEIGHT} + \text{FUEL WEIGHT} + \text{EXTRA WEIGHT}$$

WET WEIGHT

Wet weight is the actual weight of your boat that the lift will need to hold.

DRY WEIGHT

This is the weight of the boat without fluids (fuel or water). This will be in the literature that came with your boat or on the manufacturer's website. The weight listed will be for the base model with the smallest motor.

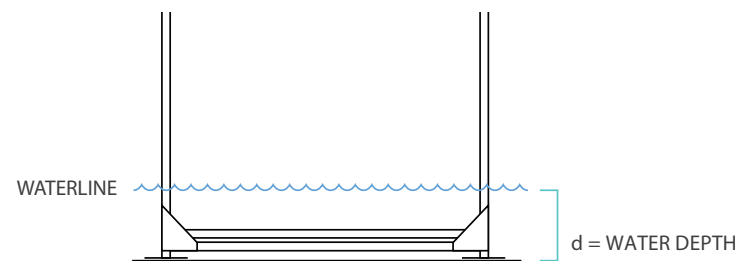
FUEL WEIGHT

Multiply the size of your tank in gallons x 8 lb/gallon (average weight of fuel).

EXTRA WEIGHT

Any upgrades (motor, swim platform, tower) over the base boat model should be taken into account as well as other accessories (extra gear, coolers, life jackets, etc.).

Determine Water Depth



WATER DEPTH is the distance from the WATERLINE to the lake bottom in the area you want to place the lift.

BOAT LIFTS : VERTICAL

LSV20/30/40 require a minimum of 8" WATER DEPTH plus DRAFT.

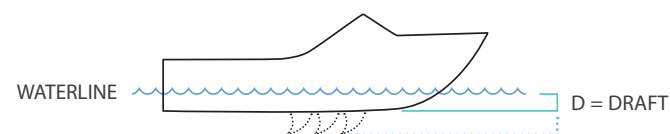
PONTOON LIFTS : VERTICAL

LSV50/75 require a minimum of 10" WATER DEPTH plus DRAFT.

PONTOON LIFTS : CANTILEVER

Require a minimum of 4" WATER DEPTH plus DRAFT.

Determine Draft



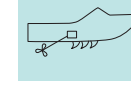
DRAFT is the measurement from WATERLINE to lowest point of boat, which would include tracking fins if so equipped. Draft may change with gear and passengers.



Tower, Ski, or Inboard/Outboard Boat

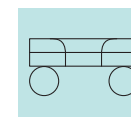
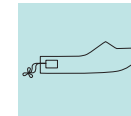
BOAT LIFTS : Vertical

Full featured lift with a range of options and accessories to fit most applications for boats up to 5000 lbs. Our 3000 lb models can be upgraded to 4000 lb at any time.



BOAT LIFTS : Vertical 7500

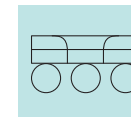
Full featured lift designed to handle the demands of today's Tower Boats up to 7500 lbs. Available with a range of options and accessories to fit most applications.



Pontoon or Tritoon Boat

PONTOON LIFTS : Vertical

Full featured lift with a range of options and accessories to fit most applications for boats up to 5000 lbs. Our 3000 lb models can be upgraded to 4000 lb at any time.



PONTOON LIFTS : Vertical 7500

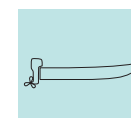
Full featured lift designed for Tritoons with heavy motors up to 7500 lbs. Available with a range of options and accessories to fit most applications.

PONTOON LIFTS : Cantilever

An affordable lift that works in shallow water.

FREESTANDING CANOPY

Allows you to cover your boat without having a lift. Can also be used over dock to provide shade.



Small Outboard, Fishing Boat or Sailboat

BOAT LIFTS : Cantilever

Lightweight and inexpensive lift that can also handle shallow water.



PWC

PWC LIFTS : Vertical

Vertical design allows you to lift your PWC further out of the water. Ideal when you have high wake or fluctuating water levels. Also makes it easier to position close to your dock.

PWC LIFTS : Cantilever

Versatile lifts that set the standard for strength, dependability and value. Ideal design for shallow water.

Please talk to your Dealer for more information about your exact conditions and needs.



go **extreme** if you dare!

Go fast, play hard.

The 7500 lb. capacity Pinnacle Series Vertical Lifts are perfect for **extreme water sports enthusiasts** with the biggest, fastest boats!

Built for dependability and value. Designed to be easy to assemble, use, and service.

Pinnacle

full featured lift for boats up to 7,500 lbs

Pinnacle
LIFT SERIES

HEAVY DUTY VINYL WRAPPED BUNKS
Extra heavy aluminum bunks to cradle your boat. Comes standard with 18" down legs.

3/8" STAINLESS STEEL CABLES
Resist rust and corrosion better than galvanized.

24V DC POWER SYSTEM
Detachable pendant makes using your boat hassle free. Comes standard with solar panel and battery tray.*

LSV75120C
also available:
LSV75120CP and LSV75120CP-U
SEE PAGES 2-3 for a complete list of models and accessories.
SEE PAGE 18 for canopies.

6" SOLID BRASS PULLEYS
Solid brass is expensive and worth it. Brass is the best combination of high strength and low cable abrasion. Large diameter is easier on cable. It will not corrode and lasts a lifetime.

5000 LB LIFTING CRADLE
Rear lifting cradle designed to dead lift 5,000 lbs so V-drive tower boats are easier to place on lift. 120" wide.

36" ADJUSTABLE LEGS WITH PIVOTING PADS
Because lake bottoms are almost never perfectly flat. Legs may be removed for shallow water applications. Extension legs are available for deep water.

REINFORCED CORNER POSTS
4" square extrusion designed to accept standard legs.

* batteries and battery boxes not included.



expand your options

Our 3000 lb lift can be easily upgraded to 4000 lb when you decide you need a bigger boat.

get together with family & friends

It's finally summer and you're ready to party. You don't want to spend a lot of time assembling and maintaining your lift.

Our Vertical Lifts are designed to be easy to put together, use and service.

Capacities range from 2000 to 5000 pounds.

Visit our website for details on use in shallow or deep water.



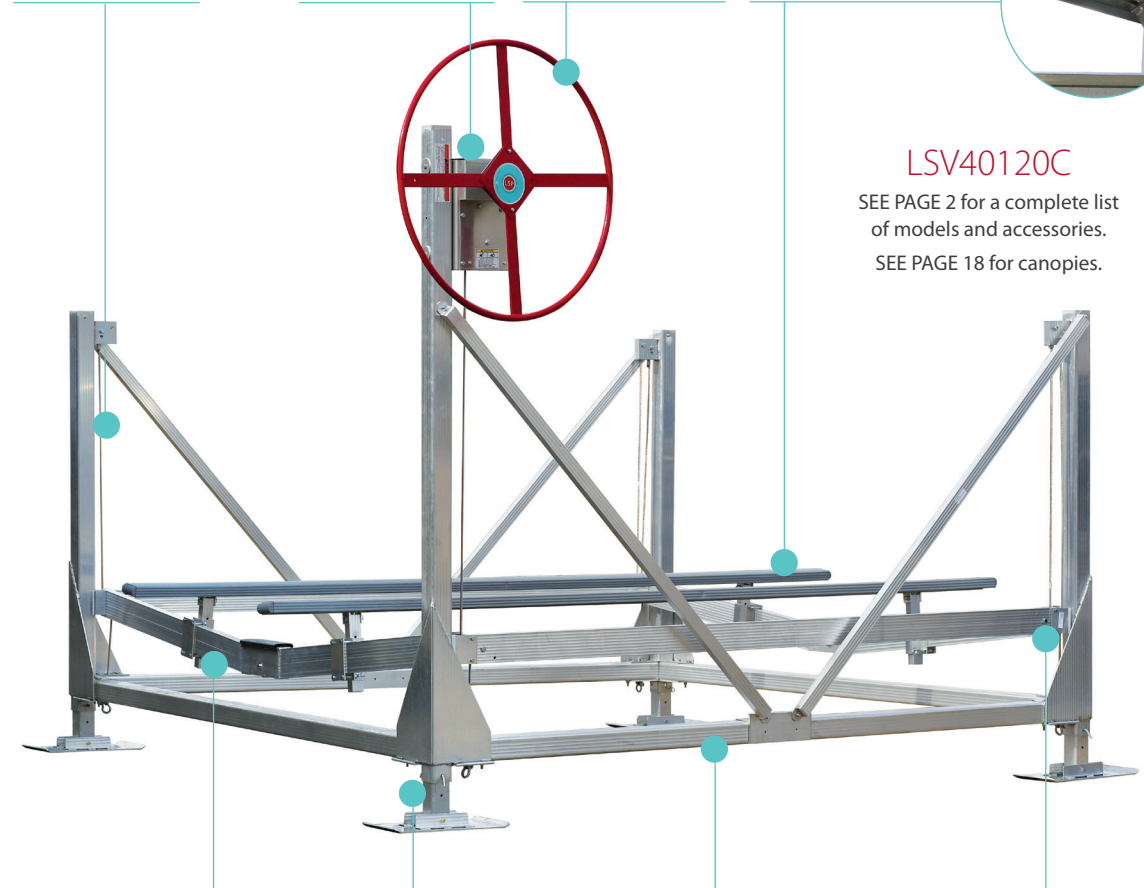
full featured lift for boats up to 5,000 lbs

STAINLESS STEEL CABLES
Resist rust and corrosion better than galvanized steel.

IMPROVED WINCH DESIGN
A larger drum makes the cable last longer.

IMPROVED WHEEL DESIGN
41" diameter wheel extends further out over the dock, making it easier to operate and reducing interference with the canopy.

REINFORCED VINYL WRAPPED ALUMINUM BUNKS
Gently support your boat without damaging the surface. Fully adjustable to fit your boat. Will not rot or warp, lighter than wood.



LSV40120C
SEE PAGE 2 for a complete list of models and accessories.
SEE PAGE 18 for canopies.

V CRADLE DESIGN ON 3000 & 4000 LB LIFTS
Designed in a V style to cradle your boat and can be used in very shallow water. (The LSV20100C and the LSV50120C have a straight cradle.)

36" ADJUSTABLE LEGS WITH PIVOTING PADS
Because lake bottoms are almost never perfectly flat. The legs may be removed for shallow water applications.

REINFORCED MAINFRAME SPREADERS
Resists the damage caused by yearly installation and removal, and strong enough to sit directly on the bottom in shallow water.

SOLID BRASS PULLEYS
Solid brass is expensive and worth it. Brass is the best combination of high strength and low cable abrasion. It will not corrode and lasts a lifetime. LSV20100C features brass on the front cradle only.

for pete's sake **lighten up**

lightweight & inexpensive

Perfect for sail boats, aluminum fishing boats, small outboards and large PWC's.

This lift will handle up to 1500 lb and accommodate boats up to 76" wide.

Time at the lake. Time to have fun, let your hair down, and lighten up.

Our Cantilever Lift is **lightweight and inexpensive**, yet will handle up to 1500 lb. and accommodate boats up to 76" wide. What more do you need?



lightweight inexpensive lift for small boats

EXCLUSIVE PULLEY BAR DESIGN

One piece design works better than independent pulleys, results in longer cable life, and shields your boat from contact with the cable.

25" ALUMINUM WHEEL

Easy to use, powder coated in our signature red for a durable long lasting finish.

HEAVY DUTY WINCH

Durable zinc plating resists rust better than a painted winch.

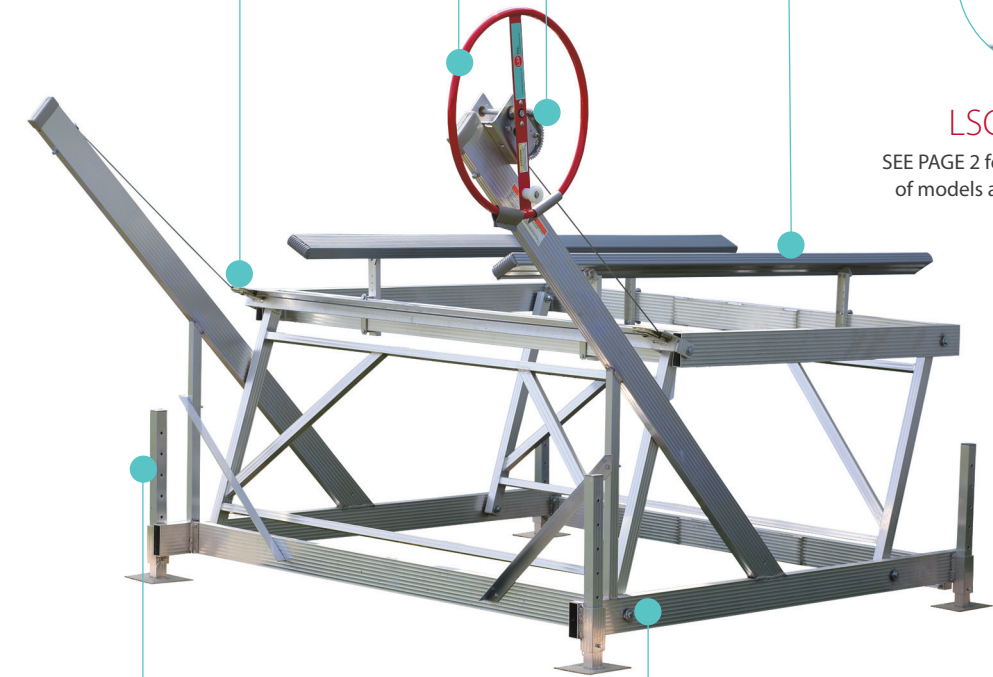
REINFORCED VINYL WRAPPED ALUMINUM BUNKS

Fully adjustable to fit your boat. Will not rot or warp.



LSC1576

SEE PAGE 2 for a complete list of models and accessories.



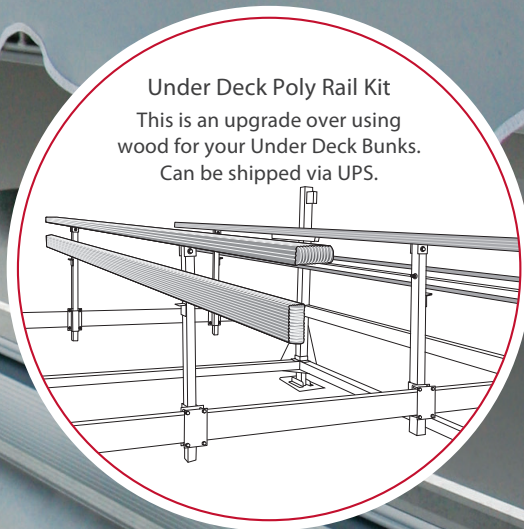
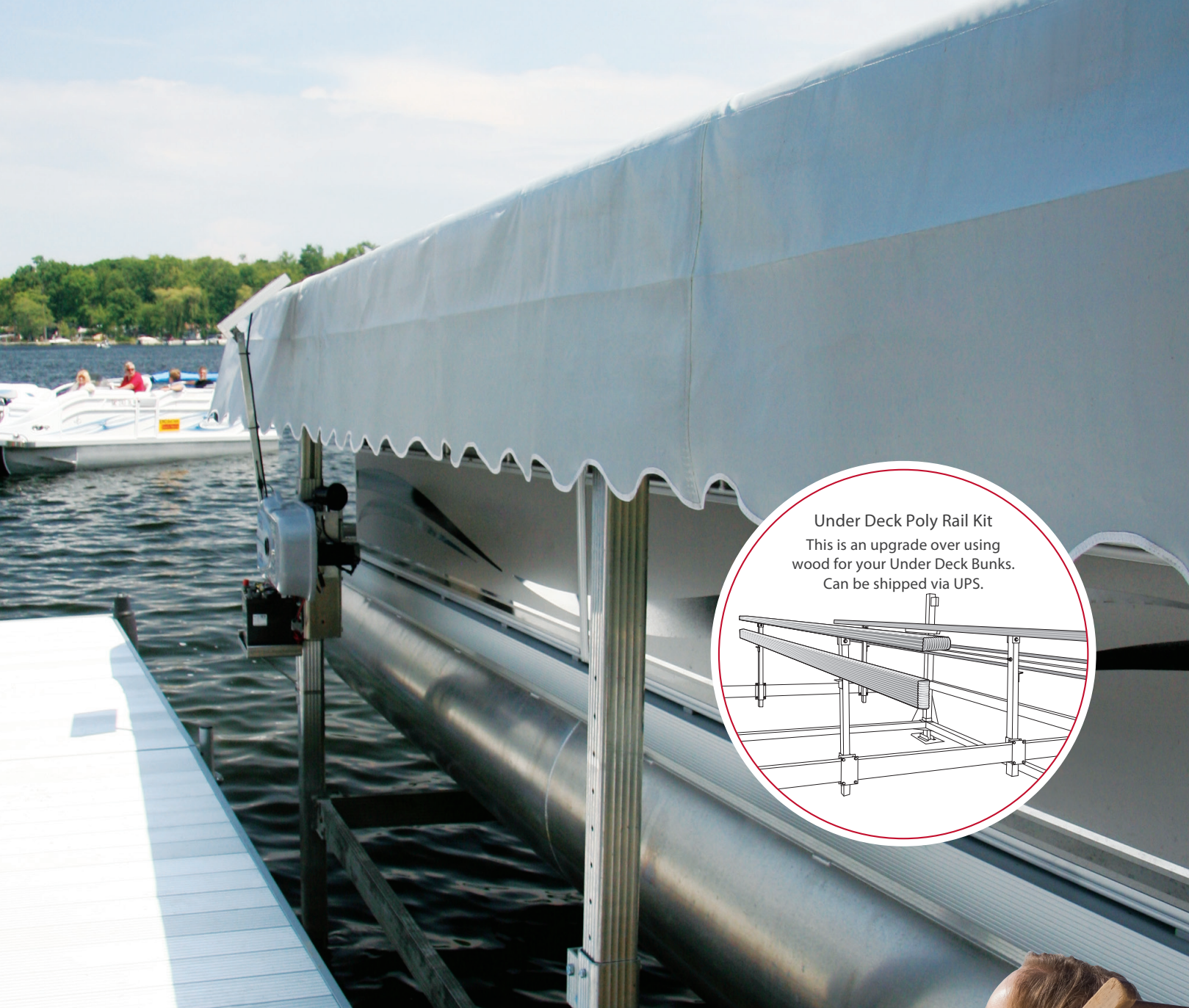
FULLY ADJUSTABLE LEGS

Come standard on all of our lifts. Longer length legs are available for deep water.

WELDED BUSHINGS

Provide extra reinforcement at pivot points, unlike drilled holes that can wear out.

full featured lift for pontoon and tritoon boats up to 5,000 lbs



Under Deck Poly Rail Kit
This is an upgrade over using wood for your Under Deck Bunks. Can be shipped via UPS.

summertime... and the living is *easy*

Summer at the lake. Time to relax and take it easy.

Our trailer type bunks make it *easy to dock your boat perfectly every time.*

By adding a canopy, you can eliminate the inconvenience of having to snap the mooring cover on.

REINFORCED VINYL WRAPPED ALUMINUM LONG V BUNKS
Help guide your boat onto the lift and gently support it without damaging the surface. Fully adjustable to fit your pontoons. Will not rot or warp and lighter than wood.

STAINLESS STEEL CABLES
Resist rust and corrosion better than galvanized steel.

IMPROVED WINCH DESIGN
A larger drum makes the cable last longer.

IMPROVED WHEEL DESIGN
41" diameter wheel extends further out over the dock, making it easier to operate and reducing interference with the canopy.

LSV30120CP
SEE PAGE 3 for a complete list of models and accessories.
SEE PAGE 18 for canopies.

LSV40120CP-U
Also available with our Under Deck Bunks for lifting the boat by the deck. These lifts are our CPU models.

36" ADJUSTABLE LEGS WITH PIVOTING PADS
Because lake bottoms are almost never perfectly flat. The legs may be removed for shallow water applications.

SOLID BRASS PULLEYS
Solid brass is expensive and worth it. Brass is the best combination of high strength and low cable abrasion. It will not corrode and lasts a lifetime.

REINFORCED MAINFRAME SPREADERS
Resist the damage caused by yearly installation and removal, and strong enough to sit directly on the bottom in shallow water.



water too shallow for a pontoon lift?
Think again!
If you have shallow water and a sandy bottom this lift is ideal.

keep it simple

Life can be complicated. So keep your summer simple. Using our Cantilever Pontoon Lift is the **simplest and least expensive way to secure your pontoon boat.**

the best pontoon lift for really shallow water – works with most tritoons

HEAVY DUTY WINCH

Heavy duty winch has greater strength and dependability than lightweight “trailer” type winches that are used by other manufacturers. New design allows winch to be positioned on either side of the lift.

DOCKSIDE WHEEL DESIGN

Innovative design extends out 29" from the lift to allow easy cranking from the dock. The 32" diameter wheel is powder coated for a durable finish.

NEW
for 2018

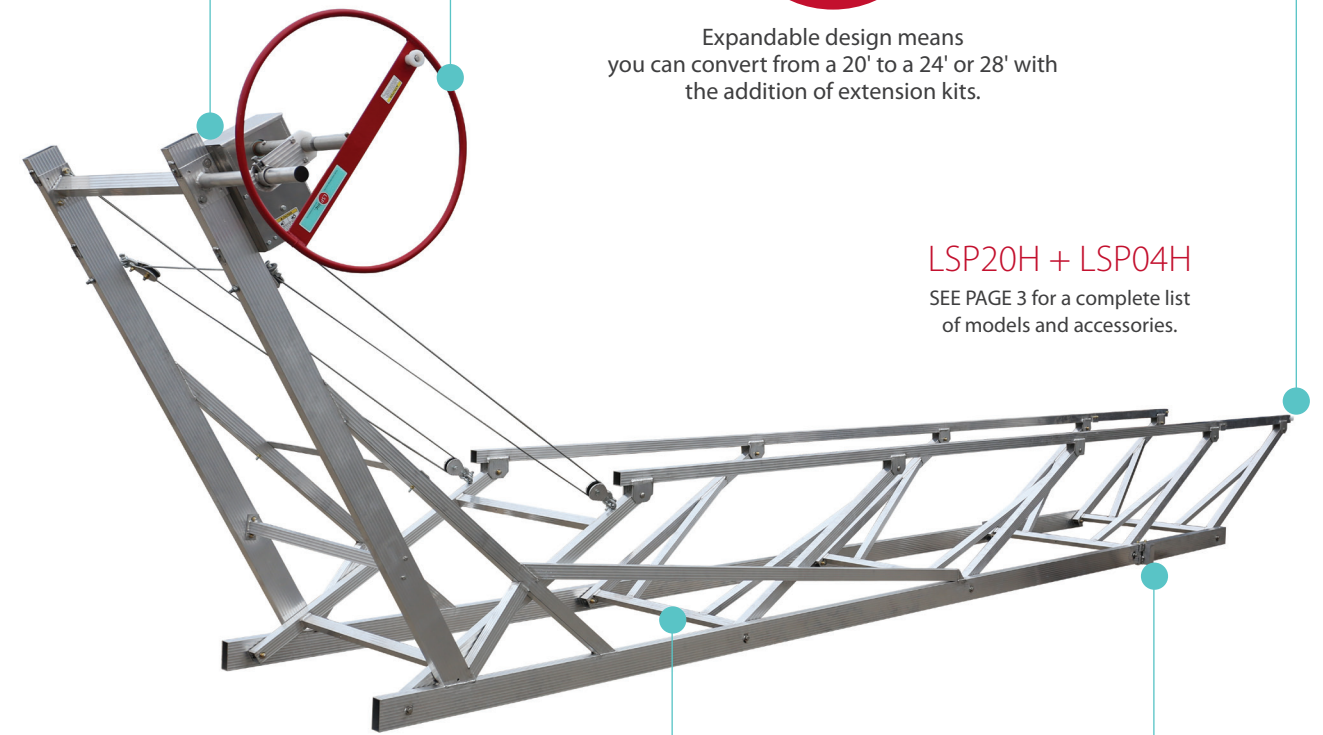
Expandable design means you can convert from a 20' to a 24' or 28' with the addition of extension kits.

NON MARKING ROLLERS

White polyester rollers gently guide your boat onto the lift without damage or marks.

LSP20H + LSP04H

SEE PAGE 3 for a complete list of models and accessories.



REDESIGNED FOR TRITOOONS

Improved H unit design with widened V and lowered cross support to accept tritoons in shallow water.

BUILT-IN LEG BRACKET

With each 4' extension kit.

protect your investment and enjoy using your boat more

protect and cover your pontoon boat without a lift

HEAVY VINYL COVERS

Shelter-Rite® 18 oz. vinyl coated polyester, made in the USA. Standard in Blue, Gray, and Tan with a scalloped edge.

ALUMINUM STRUCTURE

Incredibly light weight, yet strong. Repairable if damaged by storms.

FULLY ADJUSTABLE LEGS

Standard legs are 5'. 6' and 7' legs are available for boats with ski towers.

24AF120B

SEE PAGES 2-3 for a complete list of models and accessories.



CANOPY HAMMOCK

Provides lots of room to store skis, wake boards, life vests, tubes, toys, etc. Made of durable black mesh. Extremely easy installation.

Fits under our 108" or 120" wide canopies.



protect your investment

Sunlight deteriorates vinyl seats. Water rots wood.

Our canopy will protect your boat against both of these evils, keeping it looking good and therefore worth more at trade-in.

HEAVY COVERS

Strong 18 oz. vinyl coated polyester, made in the USA. Standard in Blue, Gray, and Tan with a scalloped edge.

REINFORCED STRUCTURE

Four diagonal braces for extra strength and rigidity. These can be placed in different configurations to allow easy access to your pontoon boat.

SECURELY ANCHORED

Augers securely anchor the canopy at four or six points so it stays put.

24AF120FS

SEE PAGE 3 for a complete list of models and accessories.



10' Steel Poles

CANVAS COLORS

STANDARD COLORS:



Canopy fabric is durable Shelter-Rite® 18 oz. vinyl coated polyester. Made in the USA.

CUSTOM COLORS, SPECIAL SIZES and CUSTOM CURTAINS are available.

enjoy your pontoon boat more

Don't want a lift, but hate the hassle of the mooring cover.

This is the fastest, easiest way to get onto the water so you can enjoy your boat more.

You can also use your pontoon boat as a patio extension to your dock.

this is way out



The sun's up, the temperature rises and it's a beautiful day.

But when the water rises, you want your boat to be safe. The LSV1364 allows you to lift your boat way out of the water, keeping it safe, even when you are away.

high & dry

When the water levels rise, and other boats are floating away, your boat will be safe.

finally, a PWC lift designed for fluctuating water levels

25" ALUMINUM WHEEL

Easy to use, powder coated in our signature red for a durable long lasting finish. Zerk fitting makes maintenance easier.

HEAVY DUTY WINCH

We oversize all of our winches for extra safety and easy cranking. Durable zinc plating resists rust better than a painted winch.

STAINLESS STEEL CABLES
Resist rust and corrosion.

CANOPY
To cover and protect your PWC.



61" OF LIFT HEIGHT

Enables the boat to be cranked way out of the water in case of:

- water fluctuation
- high waves
- storms

LSV1364

SEE PAGE 4 for a complete list of models and accessories.



FULLY ADJUSTABLE LEGS

Conform to your lake bottom. Can also be removed in shallow water.

OVERSIZED PULLEYS

Design and Nylatron® material are gentle on cable for longer life.

VINYL WRAPPED ALUMINUM BUNKS

Gently support your boat without damaging the surface. Fully adjustable to fit your boat. Will not rot or warp, lighter than wood.



pwc lifts aren't just for pwc's anymore

With three models to choose from, LSP has a PWC Lift for a full range of small boats as well as all sizes of PWC's.

increase your flexibility

Work days are made up of schedules and deadlines. Summer days should be more flexible.

Our PWC Lifts are not only for Personal Watercraft, but they also have the flexibility to be used with small fishing boats, sailboats, paddle boats, canoes and kayaks.

We set the standard. Our lifts feature a distinctive design that is engineered for strength and dependability.

models to fit anything from a small stand-up to the 3 person, 4 cycle units

HEAVY DUTY WINCH
We oversize all of our winches for extra safety and easy cranking. Durable zinc plating resists rust better than a painted winch.

EXCLUSIVE PULLEY BAR DESIGN
One piece design works better than independent pulleys, results in longer cable life, and shields your boat from any contact with the cable.

CANOPY
To cover and protect your PWC.

VINYL WRAPPED ALUMINUM BUNKS
Gently support your boat without damaging the surface. Fully adjustable to fit your boat. Will not rot or warp, lighter than wood.

25" ALUMINUM WHEEL
Easy to use, powder coated in our signature red for a durable long lasting finish.

WELDED BUSHINGS
Provide extra reinforcement at pivot points, unlike drilled holes that can wear out.

FULLY ADJUSTABLE LEGS
Come standard on all of our Personal Watercraft Lifts. Longer length legs are available for deep water. Legs can be removed for shallow water.

LSC1264
SEE PAGE 4 for a complete list of models and accessories.

LSC850

For 2 cycle & 4 cycle 2 passenger Personal Watercraft. Also great for paddle boats and small sailboats.

LSC850D

Double lift saves valuable dock space.

three styles to choose from – the choice is yours

EXTRA STRENGTH
Wider bottom rib provides extra strength.

ANODIZED ALUMINUM
Maintenance free and stays cooler than plastic or wood. An investment that lasts for generations.

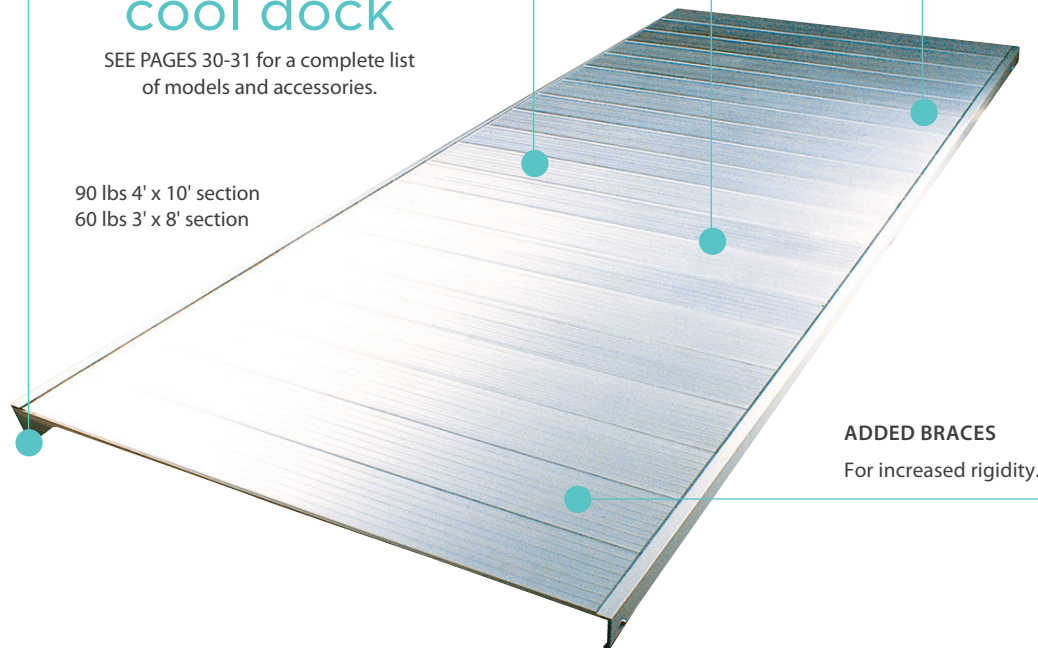
NON-SLIP SURFACE
Ribbed extrusion provides a safe surface but won't tear clothing or feet.

GAP FREE
Decking is close together to provide safety for fingers and toes.

cool dock

SEE PAGES 30-31 for a complete list of models and accessories.

90 lbs 4' x 10' section
60 lbs 3' x 8' section



ADDED BRACES
For increased rigidity.



COOL your heels... and your toes, too!

Hot weather's fine. Hot feet... not so much.

Constructed of anodized welded aluminum, the **Cool Dock stays cooler than plastic or wood.**

It is extremely light weight, easy to install and built to last a lifetime. Anodized aluminum will keep its clean look and will not turn black, rust, warp, or crack. It is virtually maintenance free.

Not only is it cool, but the treads are close together so your little ones won't catch their toes between the treads.

Kids love it!



boardwalk pine

The Pine Boardwalk has all the rustic appeal of wood with the advantages of an anodized aluminum structure: lighter weight, stronger, longer lasting, and reduced warping. Treated Premium Southern Yellow Pine will look good for years to come and has no visible screw heads.



175 lbs*

boardwalk cedar

The Cedar Boardwalk has all the same features as the Pine Boardwalk, with the added benefit of greatly reduced weight



175 lbs*

* approximate dry weight of 4' x 10' section

three styles to fit your needs

hidden supports

SEE PAGE 31 for a complete list of models and accessories.

Greatly simplifies dock installations. Universal design is easy to install and adjust.

MULTIPLE LEG OPTIONS
Works with our adjustable legs or standard 2" pipe and auger.

ACCESSORY MOUNT
Open end design to accommodate accessories.

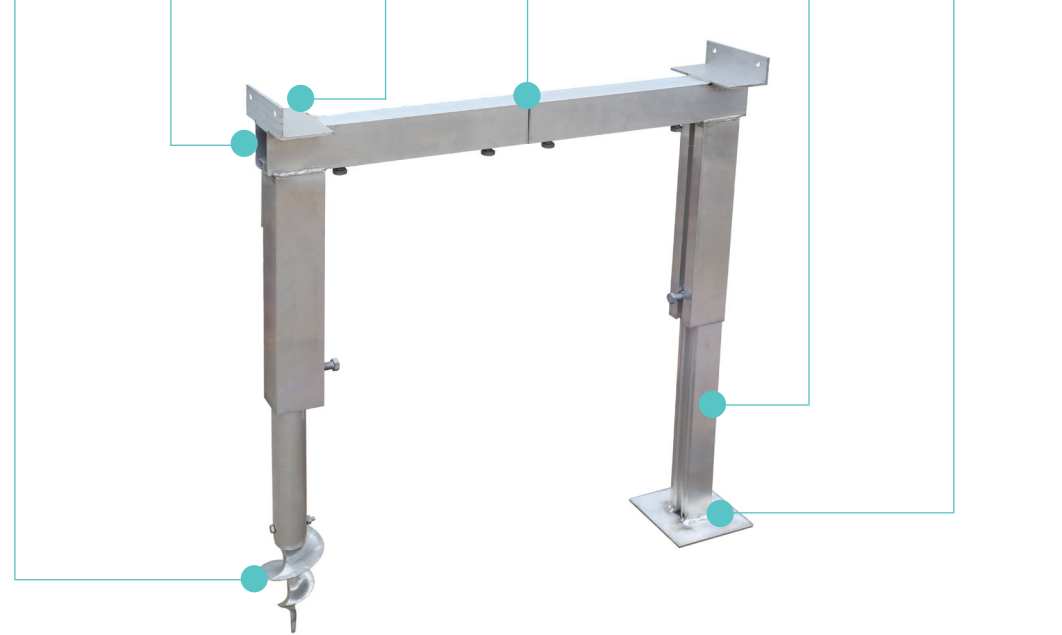
IMPROVED RIGIDITY
Stringer brackets are extra large to eliminate flex.

ADJUSTABLE WIDTH
Accommodates docks from 32" to 51" wide.

ADJUSTABLE LEGS

Eight sizes of legs accommodate water depths from 0" to 85". Locking design allows for infinite height adjustment.

WELDED FOOT PAD
Large 6" x 6" pad, welded for stability.



standard supports

SEE PAGE 31 for a complete list of models and accessories.

- Will support any dock configuration.
- Augers offer the most rigid support and can be used in any bottom condition.
- The posts can be used for mooring lines or accessories such as flag poles.
- Best for deep water or muddy bottom.
- Pipe offered in 2" Aluminum, 2" HD Aluminum, or 2" Gatorshield™ Galvanized Steel. Allied Gatorshield™ is American made with triple layer zinc Flo-Coat® to provide four times the rust and corrosion protection of ordinary galvanized steel.



truss supports

SEE PAGE 31 for a complete list of models and accessories.

- Will support multi-dock patios.
- Easy to install, lightweight.
- Available in 6', 8', 9', 12' and 16'.



3 styles of supports

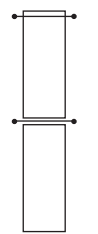
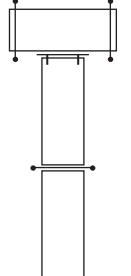
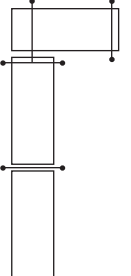
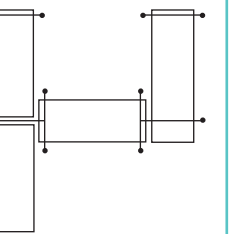
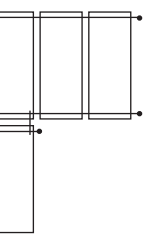
Allows you to build the perfect dock for your needs.

adjust to relaxation

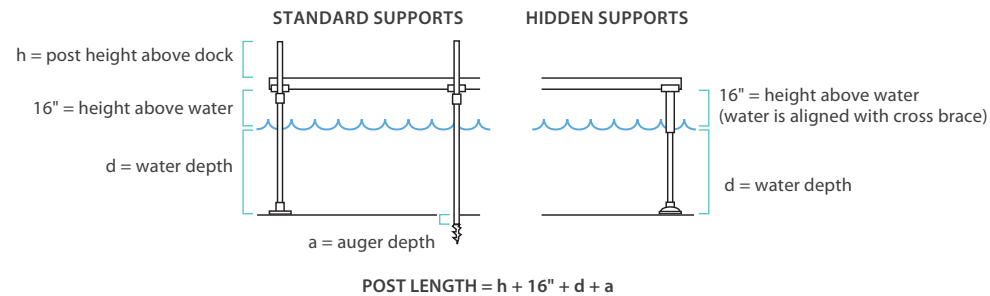
Time at the lake is precious and you want to enjoy every minute of it. Our Hidden Support has a universal adjustable design that makes installing your dock simple and gives it a clean appearance.

Dock Configurations

Docks can be arranged in almost any configuration that you can imagine. LSP has a full range of special components available to make layouts easier to design and build. Talk to your dealer about the design that is right for you.

STRAIGHT 	TYPICAL T 	TYPICAL L 	TYPICAL U 	PLATFORM 
2 Docks 2 Support Assemblies (Hidden or Standard)	3 Docks 3 Support Assemblies 1 T & L Adapter	3 Docks 3 Support Assemblies 1 90° Crossarm w/posts or 1 leg hidden support	4 Docks 4 Support Assemblies 2 90° Crossarm w/posts or 1 leg hidden support	4 Docks 1 Support Assembly 2 Trusses w/posts 1 Dock to Platform Connector

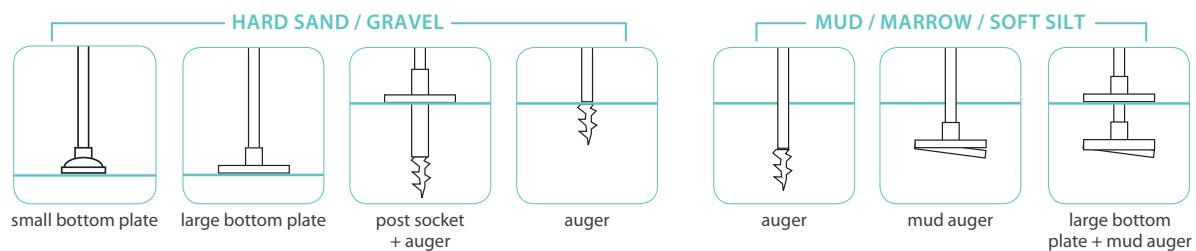
Post Height



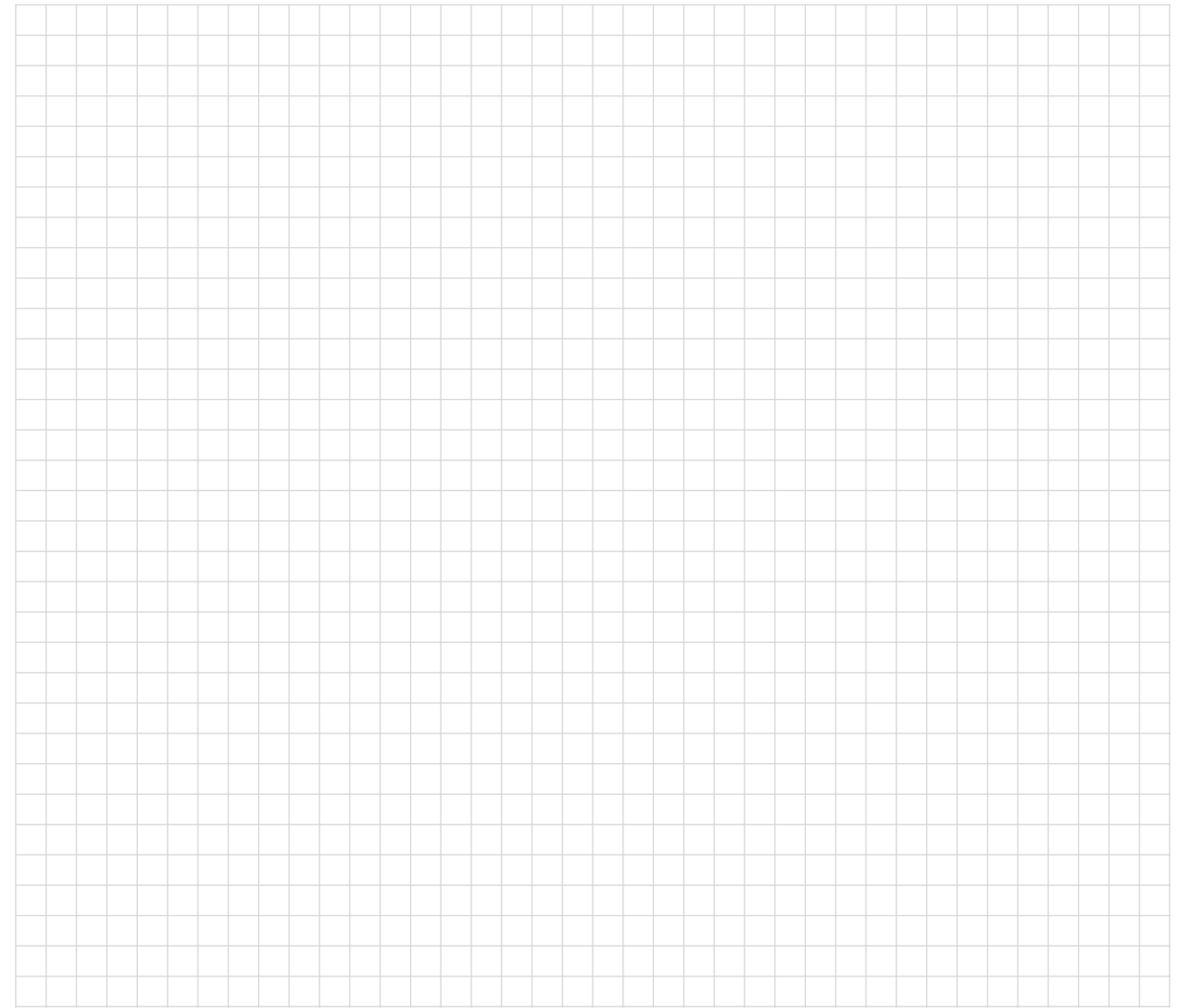
We recommend you place your dock 16" above the surface of the water. For Standard Supports remember to include all 4 measurements depicted to select the proper post length. The Hidden Supports are designed so that the water depth is the only measurement needed to order the correct support.

Bottom Conditions

Different types of lake bottoms require different types of support. Use the diagram below to decide which Bottom Plate or Auger is right for you. In hard sand or gravel you can use either a Hidden Support or Standard Support Assembly with any type of auger or bottom plate. In mud or silt the use of Standard Support Assemblies may be necessary to allow for deep and secure augering of the posts.



Use this space to configure your own dock system.



Ten/Two Year Limited Warranty

LSP, Inc. (Seller) warrants the aluminum structure on docks and lifts of its manufacture to be free from defects caused by material or workmanship for ten years from date of purchase. Seller will, at its option, repair or replace any such goods found on examination by Seller to be defective under normal use and service. Upon discovery of any such defect, Buyer must notify Seller in writing of defect and provide proof of purchase. Seller warrants all other materials including cast aluminum parts, mechanical components, hardware, canopy covers, cables, bunks, etc for two years. Components obtained from other manufacturers and used in Seller's products will be covered under the manufacturer's warranty and shall not be the responsibility of the Seller.

Seller's responsibility under this warranty shall be the repair or replacement of defective items. Seller is not liable for incidental or consequential damages of any kind.

Seller shall not be held responsible for repairs or modifications to its docks or lifts unless authorization has been obtained from Seller. This warranty does not cover damage caused by incorrect assembly or adjustments, overloading, improper use, neglected maintenance, alterations, or damage caused by accident, environmental factors (chemicals, tree sap, salt, etc), or acts of God (rainstorms, windstorms, tornadoes, etc).

DOCKS

COOL DOCK page 24

	3X8A	3X10A	4X8A	4X10A	4X4CA*
width	3'	3'	4'	4'	4'
length	8'	10'	8'	10'	4'
weight capacity	1,000 lbs	800 lbs	1,000 lbs	800 lbs	800 lbs

* Corner Section

BOARDWALK CEDAR page 24

	3X8BWC	3X10BWC	4X8BWC	4X10BWC	3X8BWCCS	3X10BWCCS	4X8BWCCS	4X10BWCCS
center support	no	no	no	no	yes	yes	yes	yes
width	3'	3'	4'	4'	3'	3'	4'	4'
length	8'	10'	8'	10'	8'	10'	8'	10'
weight capacity	1,000 lbs	800 lbs	1,000 lbs	800 lbs	1,000 lbs	800 lbs	1,000 lbs	800 lbs


BOARDWALK PINE page 24

	3X8BW	3X10BW	4X8BW	4X10BW	3X8BWCS	3X10BWCS	4X8BWCS	4X10BWCS
center support	no	no	no	no	yes	yes	yes	yes
width	3'	3'	4'	4'	3'	3'	4'	4'
length	8'	10'	8'	10'	8'	10'	8'	10'
weight capacity	1,000 lbs	800 lbs	1,000 lbs	800 lbs	1,000 lbs	800 lbs	1,000 lbs	800 lbs

ACCESSORIES

DOCK BENCHES


width	4'	6'
aluminum	4AB	6AB
wood & aluminum	4AWB	6AWB



- all aluminum to match Cool Dock
- wood and aluminum to match Boardwalk

ADAPTERS page 27

width	2'	3'	4'
part number	2AD	3AD	4AD



- anodized
- use as an End Cap, Seawall, or T & L Adapter

POST BUMPERS page 27

HIDDEN SUPPORT BUMPER	STANDARD SUPPORT BUMPER
SHB	PBA

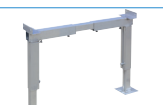


- adjustable vinyl covered aluminum
- fits Hidden Supports
- adjustable vinyl covered aluminum
- fits Standard Supports

SUPPORTS

HIDDEN SUPPORTS page 26

water depth	0" to 7"	4" to 13"	10" to 25"	22" to 37"	34" to 49"	46" to 61"	58" to 73"	70" to 85"
top assembly	SHTA14	SHTA19	SHTA19	SHTA19	SHTA19	SHTA19	SHTA19	SHTA19
leg (2 required)	SHLEG1	SHLEG1	SHLEG2	SHLEG3	SHLEG4	SHLEG5	SHLEG6	SHLEG7



STANDARD SUPPORTS : Posts (Augers and Bottom Plates are not included) page 26

length	2'	3'	4'	5'	6'	7'	8'	9'	10'	12'	16'	20'
2" steel	2P2S	3P2S	4P2S	5P2S	6P2S	7P2S	8P2S	9P2S	10P2S	12P2S	16P2S	20P2S
2" aluminum	2P2A	3P2A	4P2A	5P2A	6P2A	7P2A	8P2A	9P2A	10P2A	12P2A	N/A	N/A
HD aluminum	N/A	N/A	N/A	N/A	6P2AHD*	7P2AHD*	8P2AHD*	9P2AHD*	10P2AHD*	12P2AHD*	16P2AHD*	20P2AHD*


* HD Posts require Composite Auger AUGP

STANDARD SUPPORTS : Crossarms & Diagonals page 26

length	Crossarm/Diagonal							90° Crossarm				Longitudinal Leg Brace
	2'	3'	4'	6'	8'	9'	12'	3'3"	4'3"	6'3"	8'3"	
2" steel	2X2S	3X2S	4X2S	N/A	N/A	N/A	N/A	3390X2S	4390X2S	N/A	N/A	N/A
2" aluminum	2X2A	3X2A	4X2A	N/A	N/A	N/A	N/A	3390X2A	4390X2A	N/A	N/A	SHDIAG
1.9" HD steel	N/A	N/A	N/A	6XHD1S	8XHD1S	9XHD1S	12XHD1S	N/A	N/A	6390XHD1S	8390XHD1S	N/A


STANDARD SUPPORTS : Parts page 26

ALUMINUM AUGER	COMPOSITE AUGER	SMALL BOTTOM PLATE	LARGE BOTTOM PLATE	MUD AUGER	POST RATCHET
AUG2	AUGP	BP	LBP	MAUG	PR



- used to auger Post into the lake bottom
- fits 2" HD aluminum pipe
- can be used in place of Auger when bottom is hard sand or gravel
- can be used in place of Auger or with Auger in soft conditions
- used to auger Posts into mud or soft bottom
- speeds up installation of Posts that use Augers

POST SOCKET	STRINGER BRACKET	CROSSARM CLAMP	TEE CONNECTOR	DC
SOC	SB	XCL	TC2	DIAGONAL CLAMP



- gives the rigidity of an augered Post
- Socket augers permanently to lake bottom
- Standard Support assembly slides easily into Socket
- makes yearly installation and removal simple and quick
- attaches Crossarm to vertical Post
- attaches Dock to Crossarm
- holds 2 sections of Dock together
- another way to make a "T" or "L"
- stronger than Adapter, but uses an extra support assembly
- clamps on the Crossarm of one Dock and the side of another
- used to make support more rigid in deep water
- use two with 3', 4' and 6' Crossarms

TRUSS SUPPORTS : 18" high all aluminum Truss to build patios or dock platforms page 26

length	4'	6'	8'	9'	9' 10" (use 2 for 20' Truss)	12'	16'	Truss Connector (connects 2 Trusses)	Dock to Platform (2 pieces)	Truss Stringer Bracket
part number	XT4	XT6	XT8	XT9	XT910	XT12	XT16	XTC	DP	XTSB



855 East Chicago Road, Quincy, MI 49082

tel: 517.639.3815 fax: 517.639.4576

email: sales@lakeshoreproducts.com

Please call us or visit our website to find a dealer in your area.

www.lakeshoreproducts.com

Proudly made in Michigan since 1982 