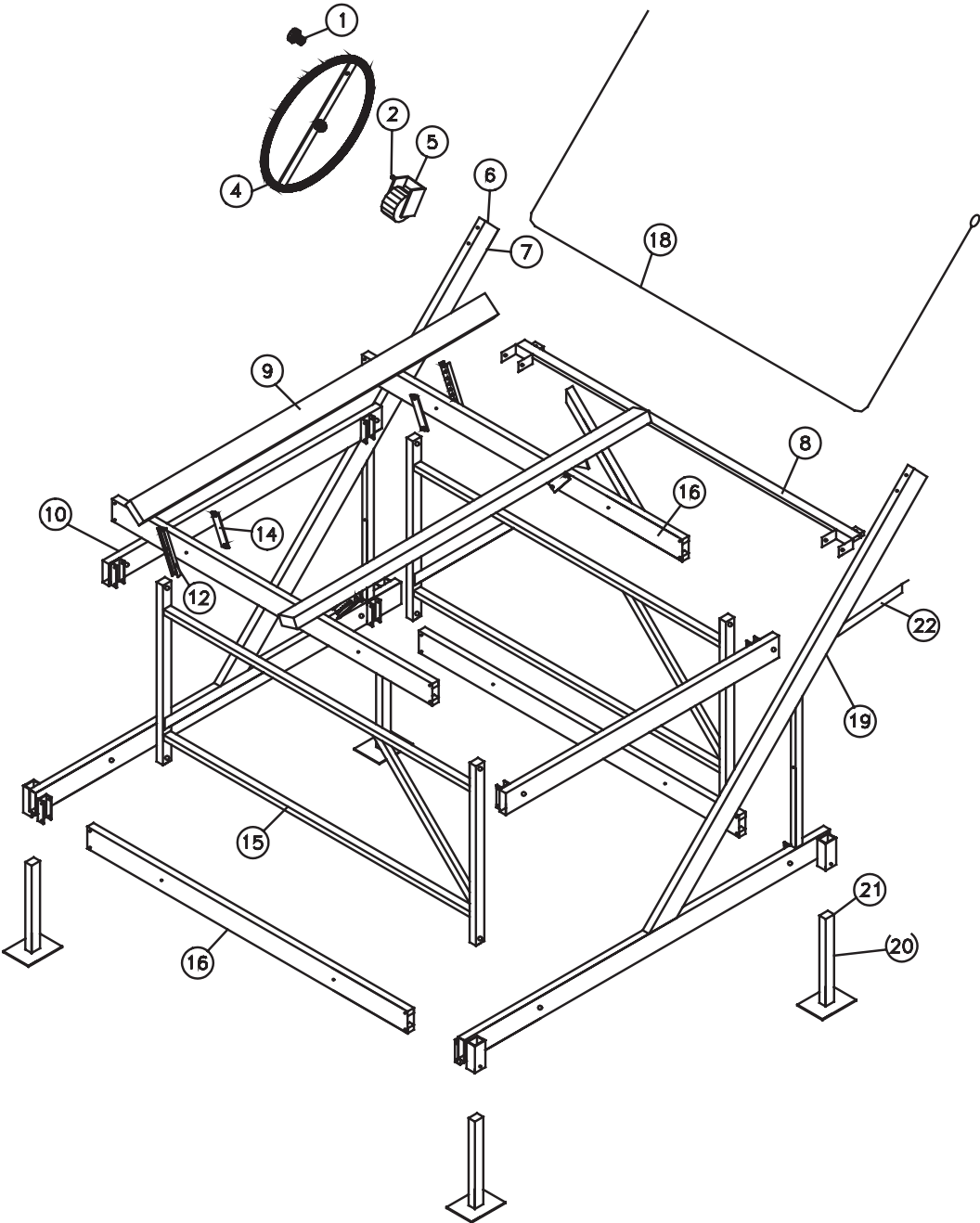


LSC1576



LSC1576 Cantilever Lift, 1500 lbs. Load Capacity, 76" Cradle Width, 35" Lift Height

PARTS LIST

REF.	PART NO.	PART NAME	QTY.
1	20552	Wheel Knob	1
2	20498	Winch Hardware	1
4	LS1102	25" JL Wheel	1
5	20933D	Dutton-Lainson DLB-2500 Winch	1
6	CAPS1545	1 1/2" x 4 1/2" Grey Cap	2
7	20924	Left Mainframe	1
8	20930	Pulley Bar Assembly	1
9	20931	Carpeted Bunk	2
10	20928	Side Tube	2
12	20501	Bunk Adjustment Channel	4
14	20502	Bunk Backer Plate	4
15	20926	H Unit	2
16	20927	Spreader	4
18	20464	Cable 3/16" x 252"	1
19	20925	Right Mainframe	1
20	JLU	Leg	4
21	CAPS1520	1 1/2" x 2" Grey Cap	4
22	20929	Diagonal Brace	2

BOLT LIST

REF.	PART NAME	QTY.
Y304	5/16 x 1 Hex Bolt	4
Y310	5/16 x 2-1/2 Hex Bolt	20
Y422	3/8 x 5-1/2 Hex Bolt	3
Y518	1/2 x 4-1/2 Hex Bolt	4
Y520	1/2 x 5 Hex Bolt	4
Y352	5/16 Flatwasher	20
Y452	3/8 Flatwasher	6
Y552	1/2 Flatwasher	13
Y351	5/16 Lock Nut	32
Y451	3/8 Lock Nut	3
Y551	1/2 Lock Nut	8
CP	3/8 x 2 1/2 Clevis Pin	4
HPC	Cotter	4