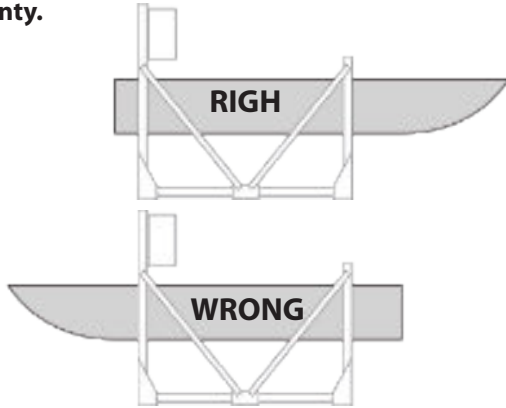




IMPORTANT:

This lift is designed for the rear of the boat to be placed closest to the winch. Failure to properly load boat could cause lift to fail and void the warranty.



Owner's Manual

LSV75120C

LS5000B leg bundle
LS7001C post bundle
LS7012C cradle bundle 120"
LS7003C spreader bundle
LS7004C bunk bundle
LS7005C accessory box
LS5007B diagonal bundle
W8L 7500# Lorenz winch
MK1007 solar panel 24v
MK1012 motor kit battery

LSV75120CP-U

LS5000B leg bundle
LS7001C post bundle
LS7012C cradle bundle 120"
LS7003C spreader bundle
LS5004BU under deck
bunk bundle
LS7005C accessory box
LS5007B diagonal bundle
W8L 7500# Lorenz winch
MK1007 solar panel 24v
MK1012 motor kit battery

LSV75120CP

LS5000B leg bundle
LS7001C post bundle
LS7012C cradle bundle 120"
LS7003C spreader bundle
LS7004C bunk bundle (2)
LS7005C accessory box
LS7011C accessory box
LS5007B diagonal bundle
W8L 7500# Lorenz winch
MK1007 solar panel 24v
MK1012 motor kit battery

READ CAREFULLY - FAILURE TO FOLLOW INSTRUCTIONS AND SAFETY RULES MAY RESULT IN SERIOUS INJURY.
VISIT OUR WEBSITE FOR TIPS AND FAQs.

⚠️ WARNING

DO NOT OPERATE THIS HOIST WITHOUT FIRST STUDYING THE OWNER'S MANUAL.

1. Before operating this lift be sure to understand all operating procedures and safety precautions.
2. NEVER operate lift with people on board boat or near any part of lift.
3. NEVER work or play on, around or under lift.
4. NEVER exceed the rated capacity of lift. Doing so may cause lift to fail.
5. Before use visually inspect SHEAVES and CABLE for wear or fraying. Follow proper maintenance procedures.

Failure to follow these procedures could cause lift to fail and result in death or serious personal injury.

Z116

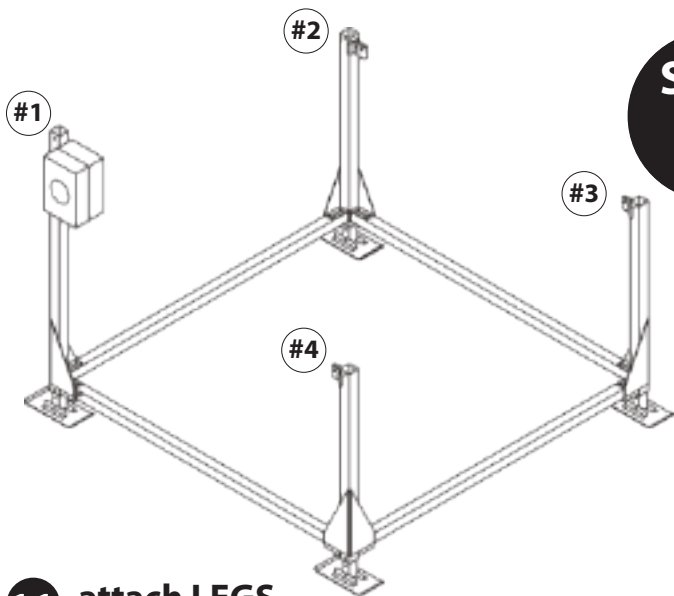
⚠️ CAUTION

DO NOT CRANK PAST STOP POSITION.

When raising lift be aware that when moving components contact frame you have reached maximum height. Turning wheel past this point may cause personal injury and will cause damage to lift that is not covered by warranty.

Z116

Manufacturers of Lakeshore Products
855 East Chicago Road, Quincy, MI 49082
www.lakeshoreproducts.com • tel: 517.639.3815 • fax: 517.639.4576



STEP 1

PARTS FOR THIS STEP	
MAINFRAME POSTS (A,B,I,O)*	4
LEGS (R,S)	4
WINCH (H)	1
SIDE MAINFRAME SPREADERS (M)	2
F/R MAINFRAME SPREADERS (P)	2
BOLT PACKAGE STEP 1	1

* denotes letter on exploded view

1.1 attach LEGS

Slide 4 LEGS into the 4 MAINFRAME POSTS using:

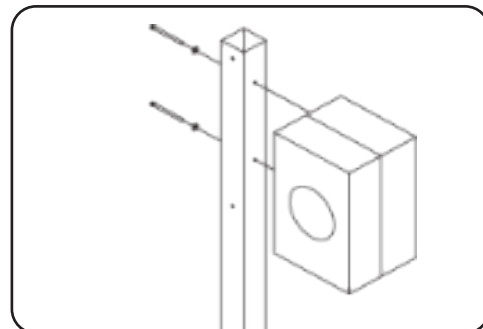
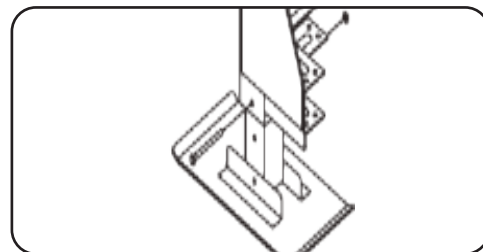
- 4 - 3/8" x 4-1/2" hex bolts
- 4 - 3/8" nylon lock nuts

1.2 attach WINCH

Remove the three screws that hold on the WINCH cover. Lay POST #1 on it's side and attach winch using:

- 2 - 1/2 x 5-1/2" hex bolts
- 2 - large aluminum washers
- 2 - 1/2" nylon lock nuts

Be sure to place the washers under the heads of the bolts on the outside of the post. Stand POST #1 up and bolt to the MAINFRAME SPREADER TUBES as described in Steps 1.3 and 1.4. Be sure to place the washers under the heads of the bolts on the outside of the post.



1.3 arrange MAINFRAME POSTS

Stand all 3 shorter MAINFRAME POSTS on a flat area, arranged as shown

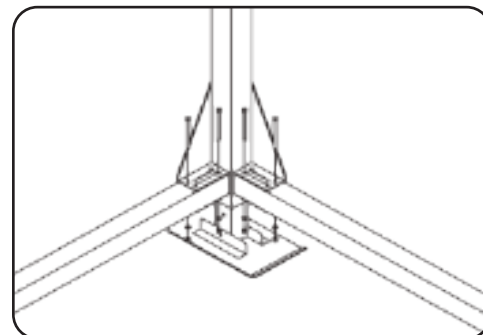
1.4 attach SIDE MAINFRAME SPREADER tubes

Position one SIDE MAINFRAME SPREADER tube between POST #2 and #3. The SIDE MAINFRAME SPREADER tubes are 120" long with the large slots in each end.

Bolt in place using:

- 2 - 3/8" x 5" hex bolts
- 4 - 3/8" flat washers
- 2 - 3/8" nylon lock nuts

at each POST. Repeat with other SIDE MAINFRAME SPREADER between POST #1 and #4, bolting only to POST #4.

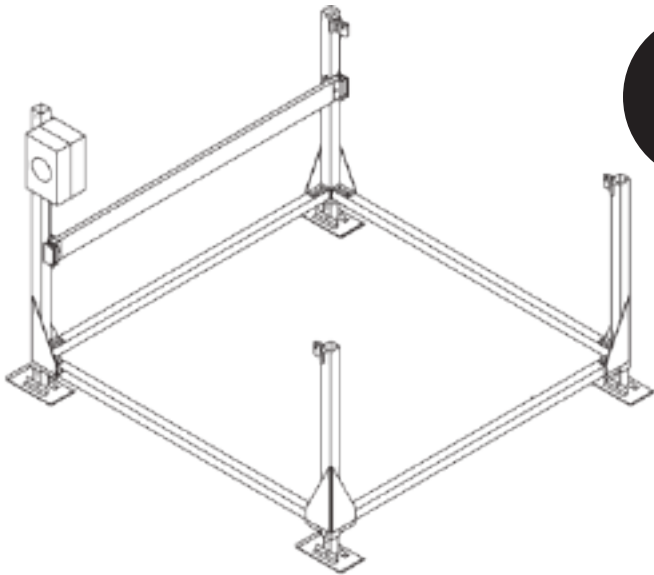


1.5 attach FRONT/REAR MAINFRAME SPREADER tubes

Position one F/R MAINFRAME SPREADER tube between POST #3 and #4. This is the front of the lift. Bolt in place using:

- 2 - 3/8" x 5" hex bolts
- 4 - 3/8" flat washers
- 2 - 3/8" nylon lock nuts

at each POST. Repeat with other F/R MAINFRAME SPREADER between POST #1 and #2, bolting only to POST #2. Position POST #1 and bolt in place.



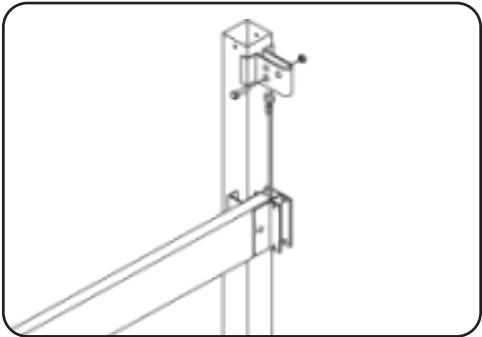
**STEP
2**

● PARTS FOR THIS STEP	
LIFT CRADLE (G)	1
BOLT PACKAGE STEP 2	1

2.1 attach LIFT CRADLE

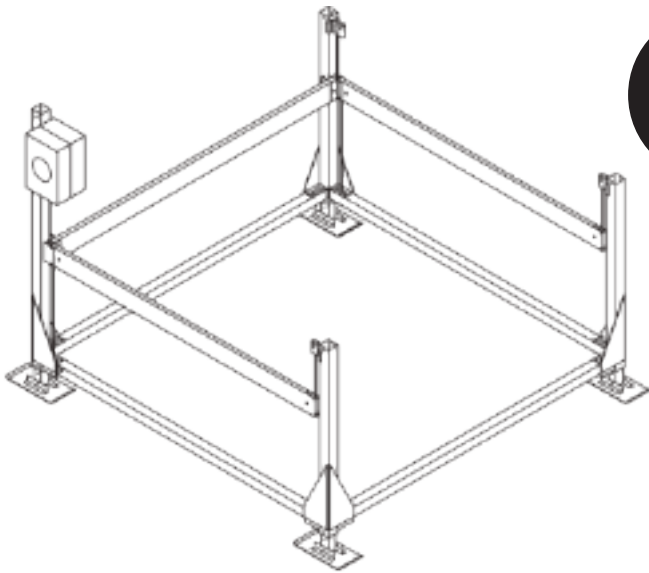
Position the LIFT CRADLE between POST #1 and #2.
NOTE: the LIFT CRADLE has a cable with a loop on only one end.
 Attach the loop end to POST #2 in the low hole closest to the POST with:

- 1 - 3/4" x 3" hex bolts
- 1 - 3/4" nylon lock nuts



2.4 attach CABLE

The cable attaches to the black drum at the bottom of the WINCH. It passes through a hole in this drum and is held in place by a plate and 2 set screws located between the holes. The drum will have to be turned until the set screws appear. Loosen the screws with the 5/32" allen wrench supplied with your lift. Then pass the cable through the hole in the drum until 1" of the cable sticks between the plate and the drum, and tighten the set screws.



STEP 3

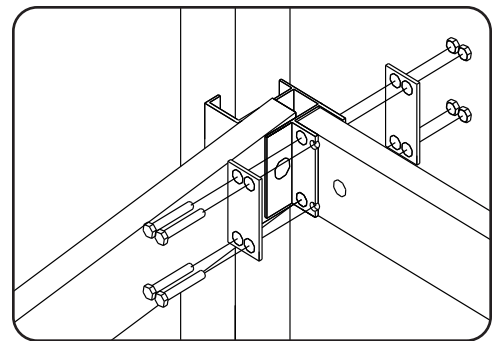
● PARTS FOR THIS STEP

CRADLE SPREADERS (K)	2
BOLT PACKAGE STEP 3/4	1
BOLT PACKAGE REINFORCING PLATE 1	

3.1 attach CRADLE SPREADER

Attach one end of the CRADLE SPREADER tube to the FRONT CRADLE near POST #1. Use:

- 2 - cradle corner reinforcing plates
- 4 - 3/8" x3" hex bolts
- 4 - 3/8" nylon lock nuts

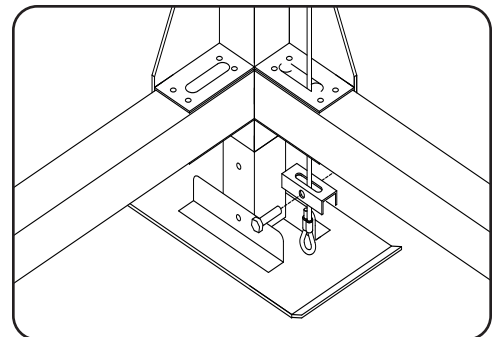


3.2 attach SIDE CABLE

Feed the end of the CABLE that hangs down through the holes in the MAINFRAME SPREADER tube by POST #1 and pull out the bottom of the lift. Using:

- 1 - cable channel
- 1 - cotter pin 1/2" x 2"

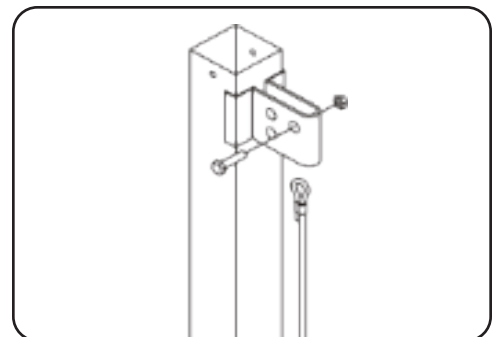
Place the CABLE loop through the slot in the cable channel and secure with the cotter pin.



3.3 attach SIDE CABLE

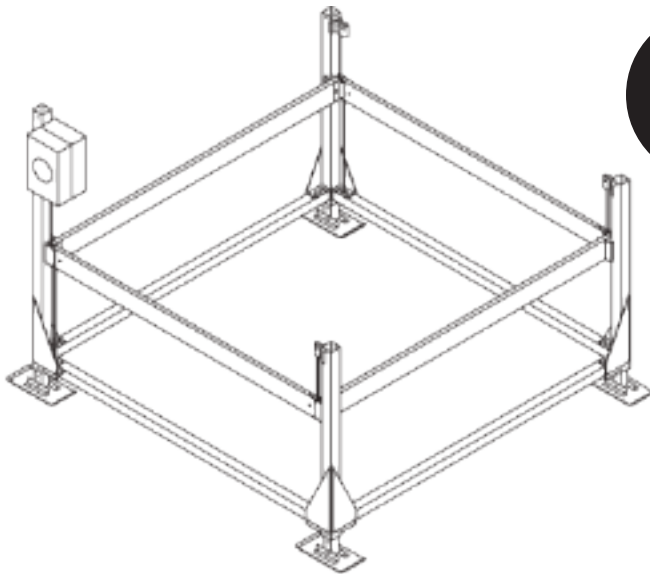
Take the opposite end of the cable that comes up out of the SPREADER and attach it to the top of POST #4. Use the holes furthest away from the POST and attach using:

- 1 - 3/4" x 3" hex bolt
- 1 - 3/4" nylon lock nut



3.4 repeat

Repeat for other CRADLE SPREADER.



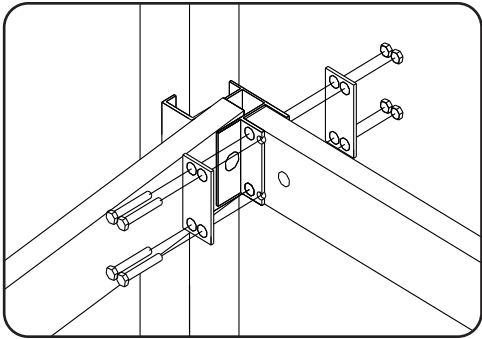
STEP 4

● PARTS FOR THIS STEP	
LEVELING CRADLE (N)	1
BOLT PACKAGE STEP 3/4	1

4.1 attach LEVELING CRADLE

Set the LEVELING CRADLE on the ends of the CRADLE SPREADER tubes. Attach to the SPREADERS using:

- 4 - cradle corner reinforcing plates
- 8 - 3/8" x3" hex bolts
- 8 - 3/8" nylon lock nuts

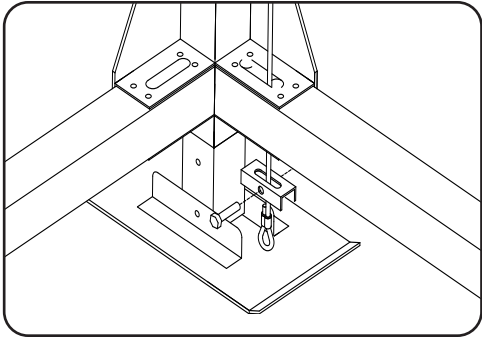


4.2 attach CABLES at bottom

Feed the two down cable ends through the side MAINFRAME SPREADER tubes and out the bottom of the lift. Attach using

- 1 - cable channel
- 1 - cotter pin 1/2" x 2"

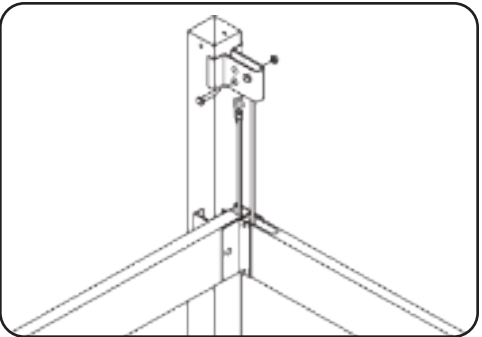
Place the CABLE loop through the slot in the cable channel and secure with the cotter pin.



4.3 attach CABLES at top

Attach the two up ends of the CABLES to POST #3 and #4. Use the holes closest to the POST, starting with both CABLES in the lowest holes. If the rear CABLES appear too loose, try moving one CABLE, or both to the next hole. Bolt in place using:

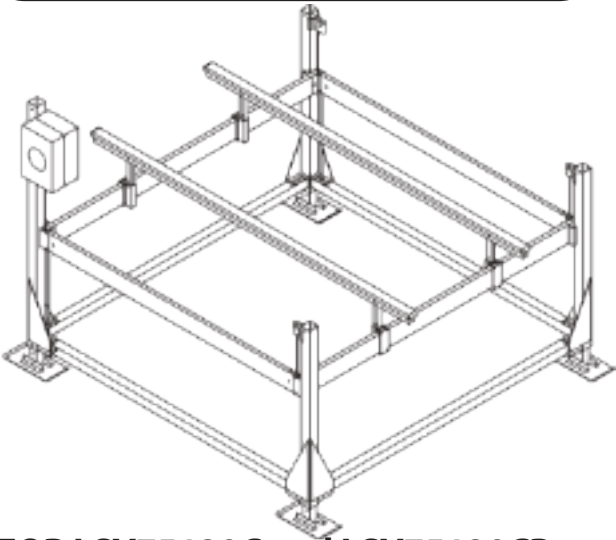
- 1 - 3/4" x 3" hex bolt
- 1 - 3/4" nylon lock nut



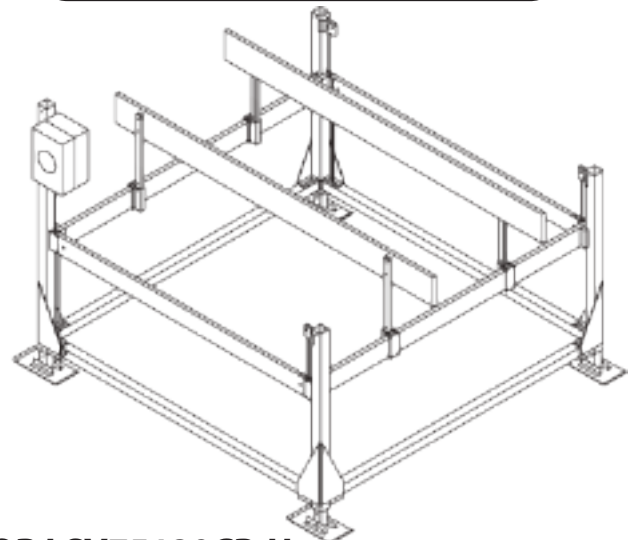
STEP 5

PARTS FOR THIS STEP	FOR	FOR
	LSV75C	LSV75CP
BUNK ASSEMBLY (G)	2	4
BOLT PACKAGE STEP 5	1	2

PARTS FOR THIS STEP	FOR
	LSV75CP-U
UNDER DECK BUNK LEGS (C)	4
BOLT PACKAGE STEP 5	1



FOR LSV75120C and LSV75120CP



FOR LSV75120CP-U

5.1 attach BUNKS

Attach BUNK SOCKETS and BUNK SOCKET PLATES making sure to place the sockets towards the inside of the lift using:

- 16 - 3/8" x 3" hex bolts
- 16 - 3/8" nylon lock nuts

Install the BUNKS by sliding into the BUNK SOCKETS and securing with:

- 4 - 3/8" x 2-1/2" hex bolts
- 4 - 3/8" nylon lock nuts

5.2 adjust BUNKS

Move your lift into the water.

Adjust the height and position of the BUNKS so that they cradle your boat and keep the bottom of the boat off the CRADLE.

NOTE: For LSV75120CP repeat STEP 5.1 and STEP 5.2 for the second set of bunks.

5.3 adjust LEGS

Adjust the lift LEGS so that the lift sits level in the water, within 3" to 6" is acceptable.

5.4 install DIAGONALS

Install the DIAGONAL BRACKETS by snapping them over the center of the SIDE MAINFRAME SPREADERS. Bolt the DIAGONALS from this bracket to the hole at the top of each POST on the outside of the lift with:

- 4 - 3/8" x 1-1/4" hex bolts for center bracket
- 4 - 3/8" x 5-1/2" hex bolts for top of post (found in lift bolt package)
- 8 - 3/8" hex lock nuts

5.1 attach BUNKS

Attach BUNK SOCKETS and BUNK SOCKET PLATES making sure to place the sockets towards the center of the lift.

- 16 - 3/8" x 3" hex bolts
- 16 - 3/8" nylon lock nuts

Install the (4) 36" UNDER DECK BUNK LEGS using:

- 4 - 3/8" x 2-1/2" hex bolts
- 4 - 3/8" nylon lock nuts

(2) 2" x 12" boards (bunks) must be purchased separately. They should be at least 16' long. These are to be attached to the outside of the 36" UNDER DECK BUNK LEGS using:

- 8 - 3/8" x 2-1/2" carriage bolts
- 8 - 3/8" nylon lock nuts

5.2 adjust BUNKS

Adjust the height of the BUNKS so that the pontoons miss the lift cradle by 2" or more and so they fit between the pontoons by 2" or more.

5.5 install BATTERY TRAY

Assemble BATTERY TRAY following instructions.

5.6 install SOLAR PANEL

Install the SOLAR PANEL following instructions.

hints

- A. Shallow water? Remove the adjustable legs to make the lift sit even lower in the water. In this position the Cradle can be placed lower than on any other lift available.
- B. Deep water? Extension legs are available in 4', 5', and 6' lengths. Call your Dealer for pricing.
- C. The front Cable will last much longer if you grease the first 5' to 8' that goes into the winch.
- D. Do not over crank your lift. Be sure to notice the maximum height that your lift will rise to and STOP when you reach that height. Failure to do so will damage your lift.

important

- A. Your LSP Lift will only protect your personal watercraft if the craft is lifted well above the level of the water. In larger lakes or during storms, large waves may lift the craft from the lift or tip the lift over, causing damage both to the craft and the lift. You must take precautions to protect your craft and lift from these conditions. If your craft suffers damage from high waves LSP, Inc. will not accept responsibility for such damage.
- B. Inspect your lift often for signs of wear or improper operation. Be aware of normal cranking force. Any increase in cranking force is a sign that something is wrong. DO NOT USE the lift if any parts are worn or damaged, replace immediately.
- C. Pay attention to the condition of your cable. A frayed or rusted cable can lead to failure of the lift. Replace it immediately. Greasing the cable, especially where it enters the winch, can extend its life.
- D. A second caution decal is provided in the accessories box. If a f t e r assembly the decal is not easily seen then install the extra decal so that anyone using the lift can read it. NEVER let anyone operate the lift unless they are familiar with all safety rules.

25/2 Year Limited Warranty

Effective for all products purchased after January 1, 2026.

Twenty Five Years on Aluminum Structure We (LSP, LLC) warrant the aluminum structure on the docks and lifts that we manufacture to be free from defects caused by material or workmanship for twenty five years from the date of purchase.

Two Years on Components We warrant all other materials including aluminum parts, mechanical components, hardware, canopy covers, cables, bunks, etc. for two years.

Other Manufacturers' Parts Any components obtained from other manufacturers for use in our products are covered under the original manufacturer's warranty by the original manufacturer. We will support the resolution of any failures of these parts, but do not warrant them ourselves.

Defective Part? Should you discover a defect in one of our products, contact the dealer you purchased the product from. If you need to find a local dealer, use the Dealer Locator on our website or contact us directly at lakeshoreproducts.com.

What will we do? Working through your local dealer, we will repair or replace any parts or components that we determine to be defective under normal use and service. The dealer will perform the exchange of parts and any labor that may be necessary.

Legal Stuff

Our responsibility under this warranty is limited to the repair or replacement of defective items and does not include incidental or consequential damages of any kind. We are not responsible for failures or damage due to repairs or modifications to our products that we have not previously approved; incorrect assembly or adjustment, overloading, improper use, neglected maintenance; or resulting from an accident, environmental factors (chemicals, tree sap, salt, etc.), extreme weather, or natural disasters (rainstorms, windstorms, tornadoes, etc.).

LS7005C accessory pack-

BPV75C	Bolt Package V75C	1
20902	Bunk Socket Bracket	4
20904	Bunk Socket Plate	4
MK1015	winch pendant box	1
21072	battery jumper cable	1

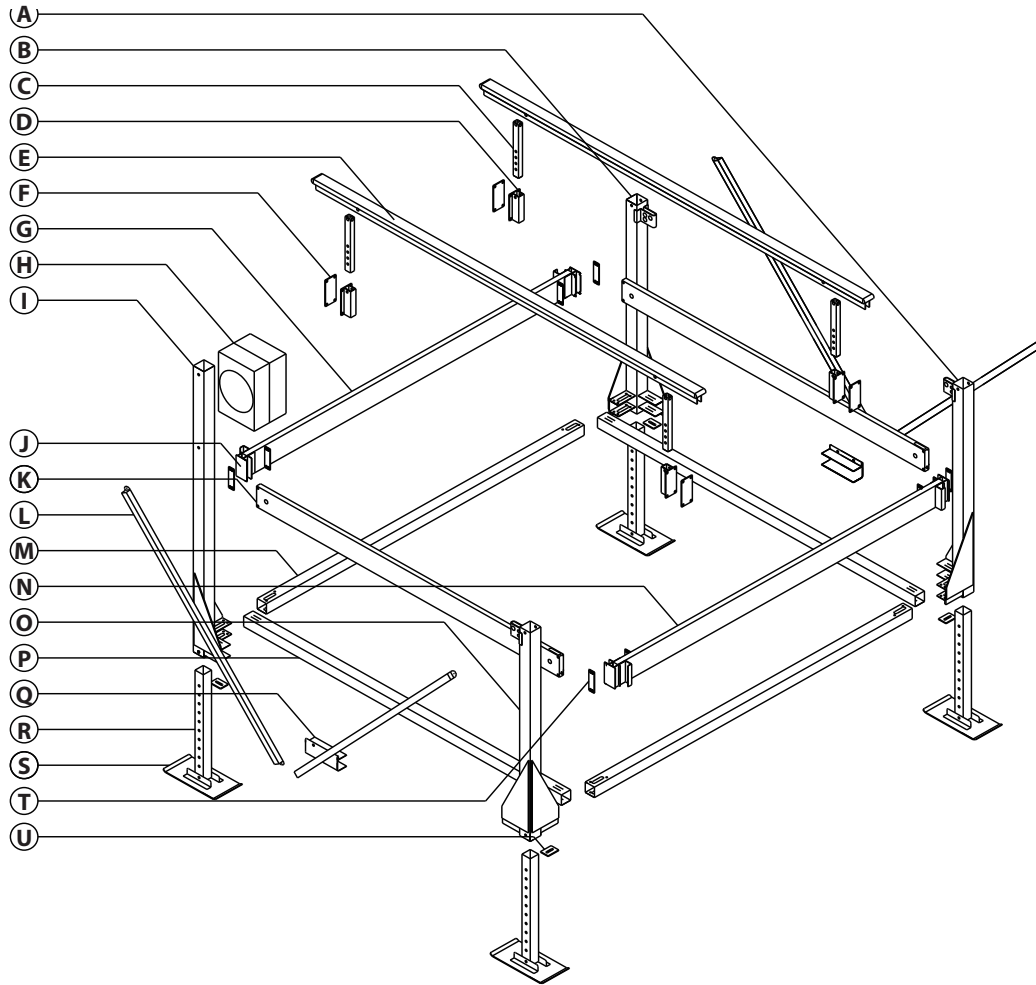
LS7011C accessory pack-

20902	Bunk Socket Bracket	4
20904	Bunk Socket Plate	4
21068	STEP 5	1

BPV75C bolt package

X422	3/8" x 5-1/2" hex bolt	4
22002	CORNER REINFORCING	1
22001	reinforcing plate	8
X412	3/8" x 3" hex bolt	16
Z451	3/8" hex lock nut	16
21065	STEP 1	1
X420	3/8" x 5" hex bolt	16
Z451	3/8" hex lock nut	20
X452	3/8" flat washer	32
Y418G8	3/8" x 4-1/2" hex bolt	4
X522	1/2" x 5-1/2" hex bolt	2
Z551	1/2" hex lock nut	2
20981L	large aluminum washer	2
21066	STEP 2	1
X712	3/4" x 3" hex bolt	1
Z751	3/4" hex lock nut	1
20890	5/32 allen wrench	1
22006	STEP 3/4	2
X412	3/8" x 3" hex bolt	8
Z451	3/8" hex lock nut	8
22001	reinforcing plate	4
22005	cable channel	2
CP10	1/2" X 2" cotter pin	2
HPC	hairpin cotter	2
X712	3/4" x 3" hex bolt	2
Z751	3/4" hex lock nut	2
21068	STEP 5	1
X412	3/8" x 3" hex bolt	16
Z451	3/8" hex lock nut	20
Y410G8	3/8" x 2-1/2" hex bolt	4

LSV75120C Vertical Boat Lift, 7500 lbs. Capacity, 120" Beam Width, 50" Lift Height.



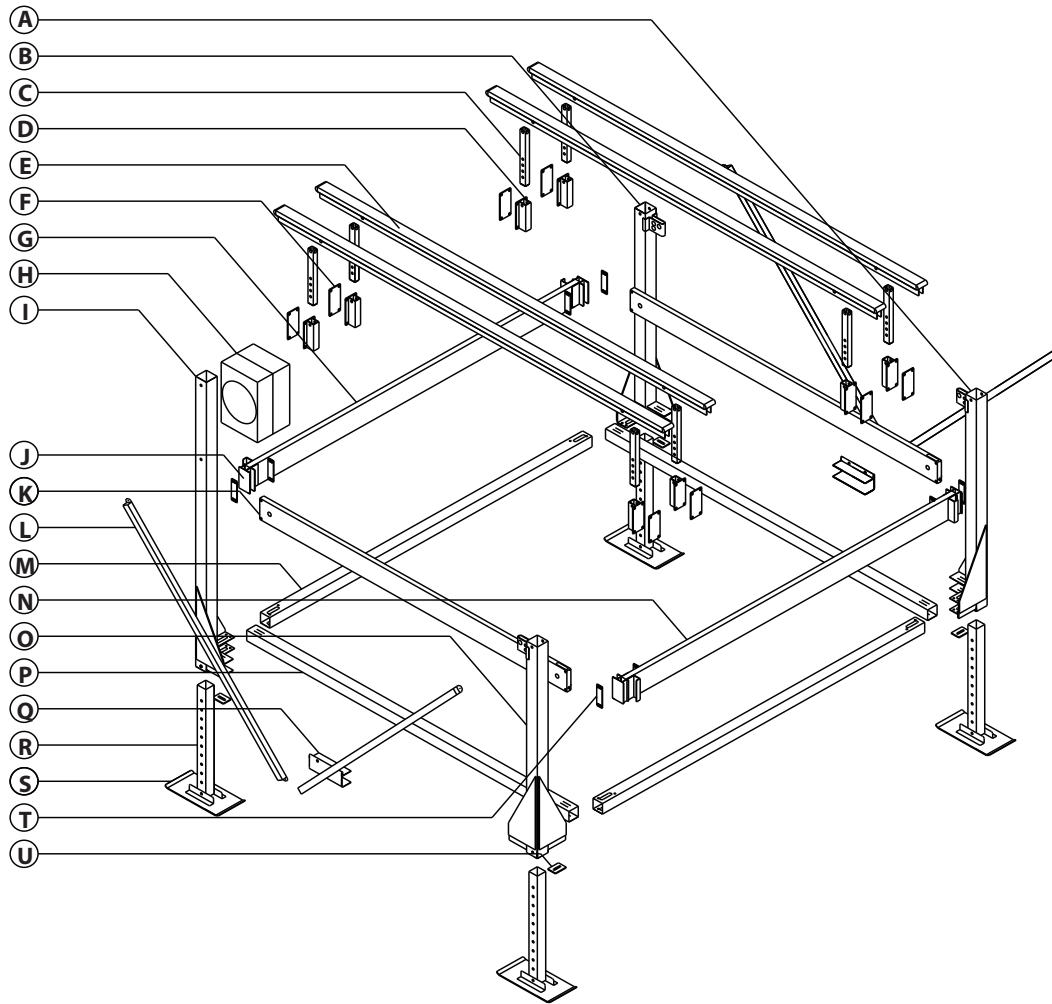
PARTS LIST LSV75120C

REF.	PART NO.	PART NAME	QTY.
A	21057	Mainframe Post #3	1
B	21056	Mainframe Post #2	1
C	BDL18	Bunk Down Leg	4
D	20902	Bunk Socket	4
E	BUNK75	Bunk Assembly	2
F	20904	Bunk Socket Plate	4
G	21053	Cradle Lifting	1
H	W8	7500 lb. Motor	1
I	21055	Mainframe Post #1	1
J	21058	Cradle Corner Bracket	4
K	21054	Cradle Spreader	2
L	20840	Diagonal Brace	4
M	20837	Mainframe Spreader 120"	2
N	21053	Cradle Leveling	1
O	21056	Mainframe Post #4	1
P	20837	Mainframe Spreader 120"	2
Q	20860	Diagonal Bracket	2
R	20989	Leg Tube 36"	4
S	20990	Foot Pad	4
T	22001	Cradle Corner Reinforcing Plate	16
U	21086	Cable Washer Plate	4

REPLACEMENT PARTS

PART NO.	PART NAME	QTY.
21061	Cable Lift P 3/8" x 305" SS	1
21062	Cable Transfer Q 3/8" x 180" SS	2
21063	Cable Leveling R 3/8" x 193" SS	2

LSV75120CP Vertical Pontoon Lift, 7500 lbs. Capacity, 120" Beam Width, 50" Lift Height



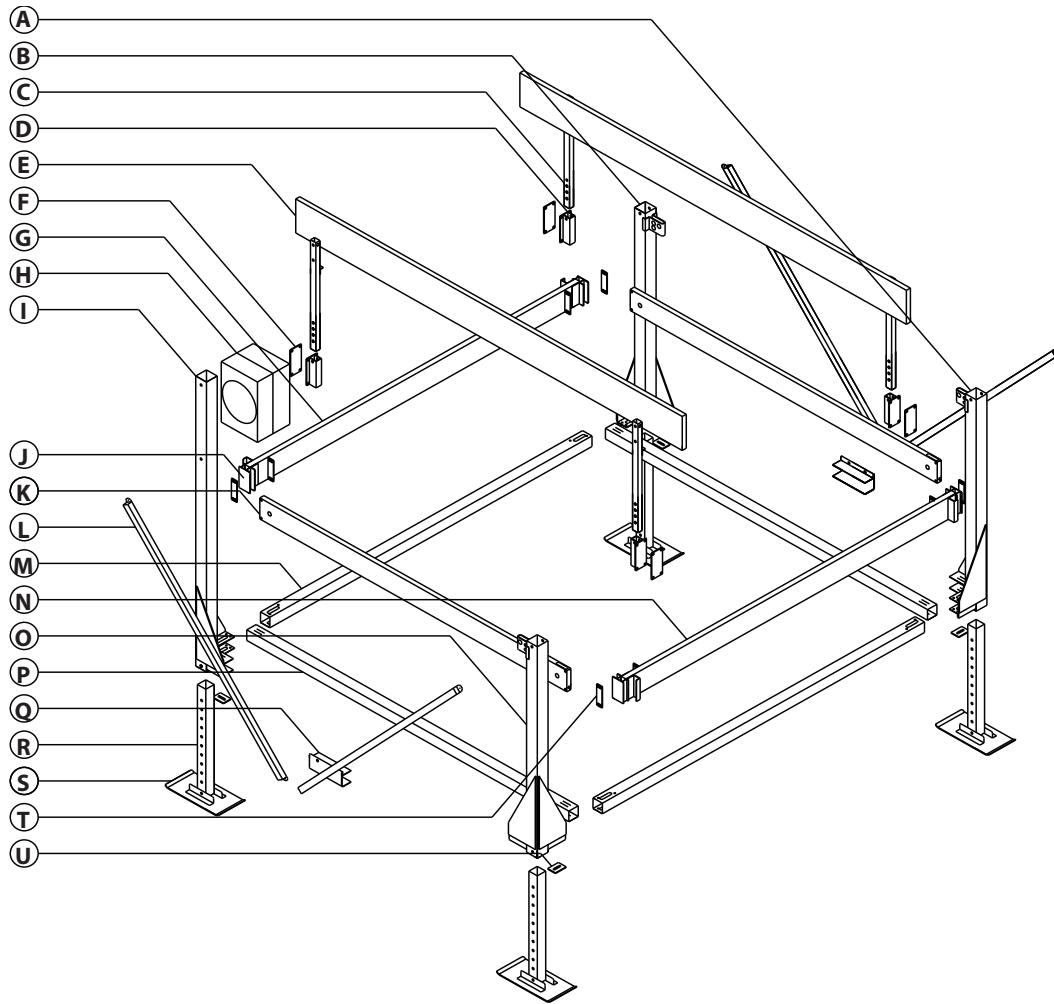
PARTS LIST LSV75120CP

REF.	PART NO.	PART NAME	QTY.
A	21057	Mainframe Post #3	1
B	21056	Mainframe Post #2	1
C	BDL18	Bunk Down Leg	4
D	20902	Bunk Socket	8
E	BUNK75	Bunk Assembly	4
F	20904	Bunk Socket Plate	8
G	21053	Cradle Lifting	1
H	W8	7500 lb. Motor	1
I	21055	Mainframe Post #1	1
J	21058	Cradle Corner Bracket	4
K	21054	Cradle Spreader	2
L	20840	Diagonal Brace	4
M	20837	Mainframe Spreader 120"	2
N	21053	Cradle Leveling	1
O	21056	Mainframe Post #4	1
P	20837	Mainframe Spreader 120"	2
Q	20860	Diagonal Bracket	2
R	20989	Leg Tube 36"	4
S	20990	Foot Pad	4
T	22001	Cradle Corner Reinforcing Plate	16
U	21086	Cable Washer Plate	4

REPLACEMENT PARTS

PART NO.	PART NAME	QTY.
21061	Cable Lift P 3/8" x 305" SS	1
21062	Cable Transfer Q 3/8" x 180" SS	2
21063	Cable Leveling R 3/8" x 193" SS	2

LSV75120CP-U Vertical Pontoon Lift, 7500 lbs. Capacity, 120" Beam Width, 50" Lift Height



PARTS LIST LSV75120CP-U

REF.	PART NO.	PART NAME	QTY.
A	21057	Mainframe Post #3	1
B	21056	Mainframe Post #2	1
C	20895	Under Deck Down Leg	4
D	20902	Bunk Socket	4
E		2 x 12 x 16' SYP (purchased locally)	2
F	20904	Bunk Socket Plate	4
G	21053	Cradle Lifting	1
H	W8	7500 lb. Motor	1
I	21055	Mainframe Post #1	1
J	21058	Cradle Corner Bracket	4
K	21054	Cradle Spreader	2
L	20840	Diagonal Brace	4
M	20837	Mainframe Spreader 120"	2
N	21053	Cradle Leveling	1
O	21056	Mainframe Post #4	1
P	20837	Mainframe Spreader 120"	2
Q	20860	Diagonal Bracket	2
R	20989	Leg Tube 36"	4
S	20990	Foot Pad	4
T	22001	Cradle Corner Reinforcing Plate	16
U	21086	Cable Washer Plate	4

REPLACEMENT PARTS

PART NO.	PART NAME	QTY.
21061	Cable Lift P 3/8" x 305" SS	1
21062	Cable Transfer Q 3/8" x 180" SS	2
21063	Cable Leveling R 3/8" x 193" SS	2