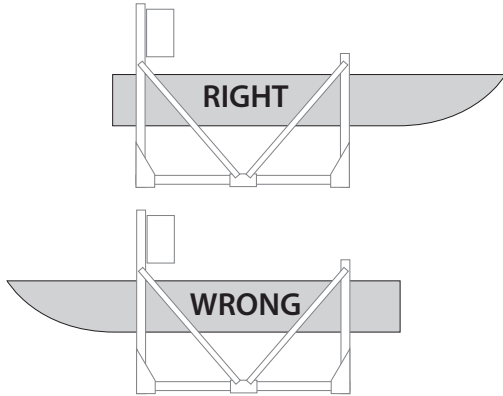




IMPORTANT:

This lift is designed for the rear of the boat to be placed closest to the winch. Failure to properly load boat could cause lift to fail and void the warranty.



Owner's Manual

LSV75120C

- LS5000B leg bundle
- LS7001C post bundle
- LS7012C cradle bundle 120"
- LS7003C spreader bundle
- LS7004C bunk bundle
- LS7005C accessory box
- LS5007B diagonal bundle
- W8L 7500# winch
- MK1007 solar panel 24v
- MK1012 motor kit battery tray

LSV75120CP-U

- LS5000B leg bundle
- LS7001C post bundle
- LS7012C cradle bundle 120"
- LS7003C spreader bundle
- LS5004BU under deck bunk bundle
- LS7005C accessory box
- LS5007B diagonal bundle
- W8L 7500# winch
- MK1007 solar panel 24v
- MK1012 motor kit battery tray

LSV75120CP

- LS5000B leg bundle
- LS7001C post bundle
- LS7012C cradle bundle 120"
- LS7003C spreader bundle
- LS7004C bunk bundle (2)
- LS7005C accessory box
- LS7011C accessory box
- LS5007B diagonal bundle
- W8L 7500# winch
- MK1007 solar panel 24v
- MK1012 motor kit battery tray

READ CAREFULLY - FAILURE TO FOLLOW INSTRUCTIONS AND SAFETY RULES MAY RESULT IN SERIOUS INJURY. VISIT OUR WEBSITE FOR TIPS AND FAQs.

! WARNING

DO NOT OPERATE THIS HOIST WITHOUT FIRST STUDYING THE OWNER'S MANUAL.

1. Before operating this lift be sure to understand all operating procedures and safety precautions.
2. NEVER operate lift with people on board boat or near any part of lift.
3. NEVER work or play on, around or under lift.
4. NEVER exceed the rated capacity of lift. Doing so may cause lift to fail.
5. Before use visually inspect SHEAVES and CABLE for wear or fraying. Follow proper maintenance procedures.

Failure to follow these procedures could cause lift to fail and result in death or serious personal injury.

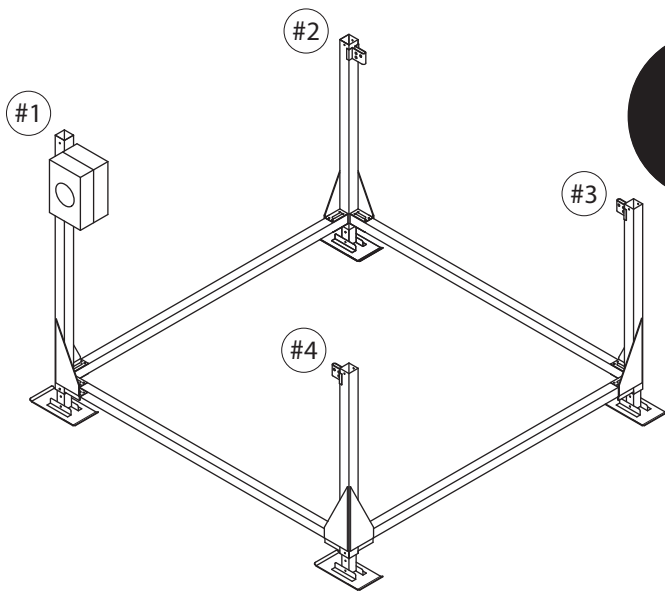
Z116

! CAUTION

DO NOT CRANK PAST STOP POSITION.

When raising lift be aware that when moving components contact frame you have reached maximum height. Turning wheel past this point may cause personal injury and will cause damage to lift that is not covered by warranty.

Z119



STEP 1

● PARTS FOR THIS STEP

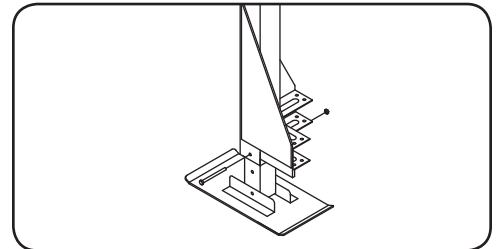
MAINFRAME POSTS (A,B,I,O)*	4
LEGS (R,S)	4
WINCH (H)	1
SIDE MAINFRAME SPREADERS (M)	2
F/R MAINFRAME SPREADERS (P)	2
BOLT PACKAGE STEP 1	1

* denotes letter on exploded view

1.1 attach LEGS

Slide 4 LEGS into the 4 MAINFRAME POSTS using:

- 4 – 3/8" x 4-1/2" hex bolts
- 4 – 3/8" nylon lock nuts

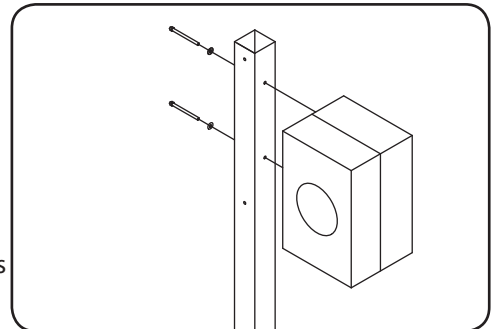


1.2 attach WINCH

Remove the three screws that hold on the WINCH cover. Lay POST #1 on it's side and attach winch using:

- 2 – 1/2 x 5-1/2" hex bolts
- 2 – large aluminum washers
- 2 – 1/2" nylon lock nuts

Be sure to place the washers under the heads of the bolts on the outside of the post. Stand POST #1 up and bolt to the MAINFRAME SPREADER TUBES as described in Steps 1.3 and 1.4. Be sure to place the washers under the heads of the bolts on the outside of the post.



1.3 arrange MAINFRAME POSTS

Stand all 3 shorter MAINFRAME POSTS on a flat area, arranged as shown above.

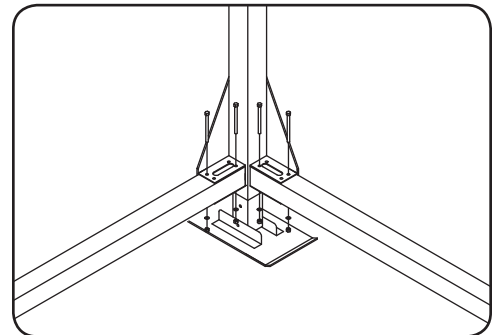
1.4 attach SIDE MAINFRAME SPREADER tubes

Position one SIDE MAINFRAME SPREADER tube between POST #2 and #3. The SIDE MAINFRAME SPREADER tubes are 120" long with the large slots in each end.

Bolt in place using:

- 2 – 3/8" x 5" hex bolts
- 4 – 3/8" flat washers
- 2 – 3/8" nylon lock nuts

at each POST. Repeat with other SIDE MAINFRAME SPREADER between POST #1 and #4, bolting only to POST #4.

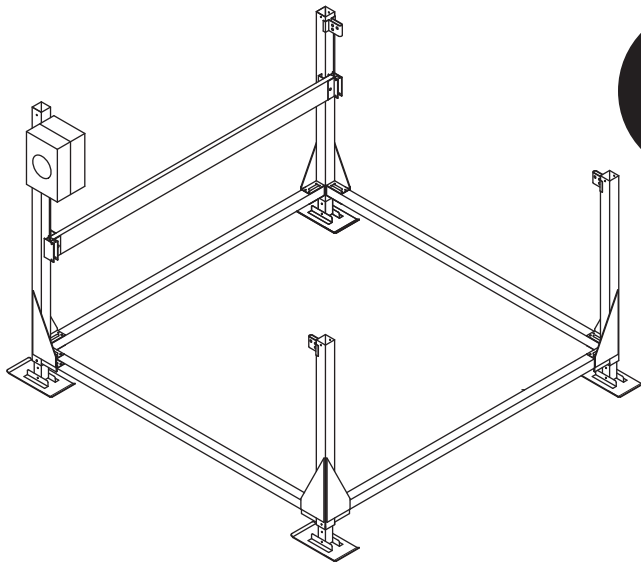


1.5 attach FRONT/REAR MAINFRAME SPREADER tubes

Position one F/R MAINFRAME SPREADER tube between POST #3 and #4. This is the front of the lift. Bolt in place using:

- 2 – 3/8" x 5" hex bolts
- 4 – 3/8" flat washers
- 2 – 3/8" nylon lock nuts

at each POST. Repeat with other F/R MAINFRAME SPREADER between POST #1 and #2, bolting only to POST #2. Position POST #1 and bolt in place.



STEP 2

● PARTS FOR THIS STEP

LIFT CRADLE (G)	1
BOLT PACKAGE STEP 2	1

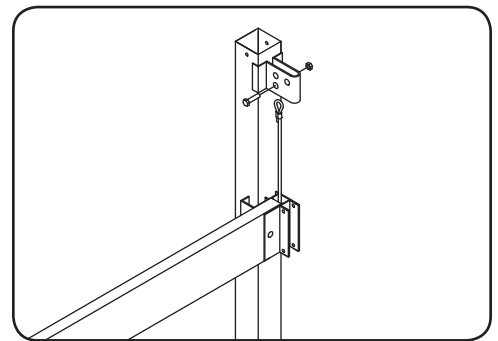
2.1 attach **LIFT CRADLE**

Position the **LIFT CRADLE** between **POST #1** and **#2**.

NOTE: the **LIFT CRADLE** has a cable with a loop on only one end.

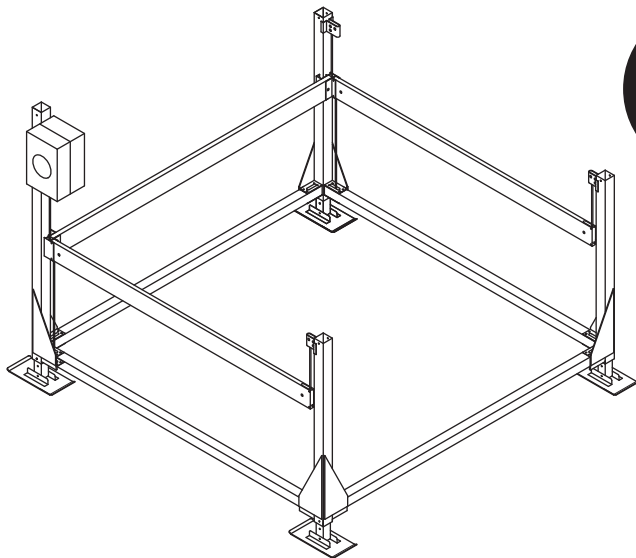
Attach the loop end to **POST #2** in the low hole closest to the **POST** with:

- 1 - 3/4" x 3" hex bolts
- 1 - 3/4" nylon lock nuts



2.4 attach **CABLE**

The cable attaches to the black drum at the bottom of the **WINCH**. It passes through a hole in this drum and is held in place by a plate and 2 set screws located between the holes. The drum will have to be turned until the set screws appear. Loosen the screws with the 5/32" allen wrench supplied with your lift. Then pass the cable through the hole in the drum until 1" of the cable sticks between the plate and the drum, and tighten the set screws.



STEP 3

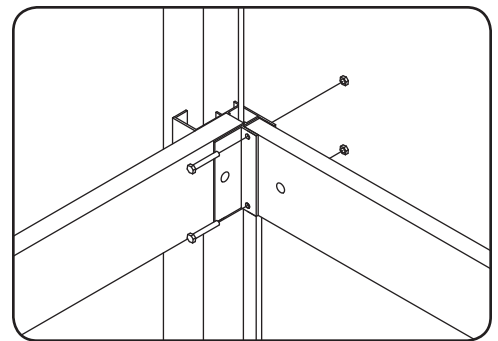
● PARTS FOR THIS STEP

CRADLE SPREADERS (K)	2
BOLT PACKAGE STEP 3/4	1

3.1 attach CRADLE SPREADER

Attach one end of the **CRADLE SPREADER** tube to the **FRONT CRADLE** near **POST #1**. Use:

- 4 - 3/8" x 2-3/4" hex bolts
- 4 - 3/8" nylon lock nuts

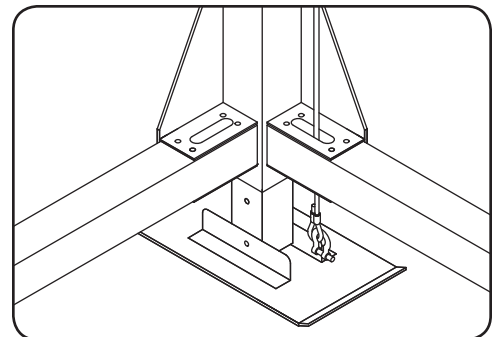


3.2 attach SIDE CABLE

Feed the end of the **CABLE** that hangs down through the holes in the **MAINFRAME SPREADER** tube by **POST #1** and pull out the bottom of the lift. Using:

- 1 - shackle

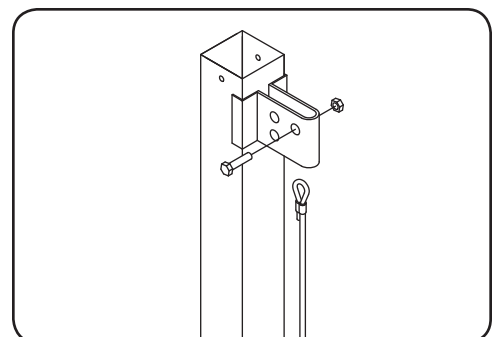
Unscrew the shackle pin and put the shackle through the loop at the end of the **CABLE**. Securely thread the pin into the shackle and tighten to secure the **CABLE**.



3.3 attach SIDE CABLE

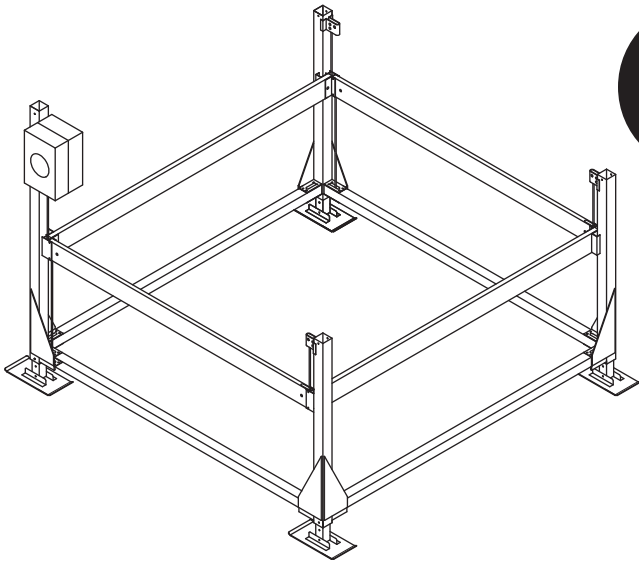
Take the opposite end of the cable that comes up out of the **SPREADER** and attach it to the top of **POST #4**. Use the holes furthest away from the **POST** and attach using:

- 1 - 3/4" x 3" hex bolt
- 1 - 3/4" nylon lock nut



3.4 repeat

Repeat for other **CRADLE SPREADER**.



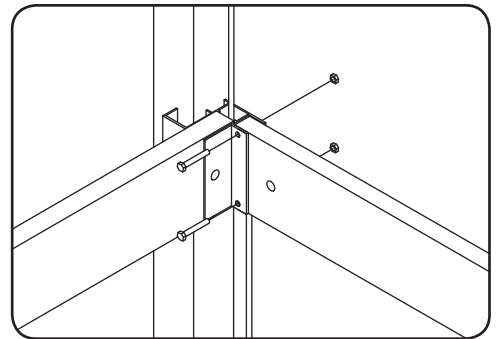
STEP 4

PARTS FOR THIS STEP	
LEVELING CRADLE (N)	1
BOLT PACKAGE STEP 3/4	1

4.1 attach LEVELING CRADLE

Set the **LEVELING CRADLE** on the ends of the **CRADLE SPREADER** tubes. Attach to the **SPREADERS** using:

- 2 - 3/8" x 2-3/4" hex bolts
- 2 - 3/8" nylon lock nuts

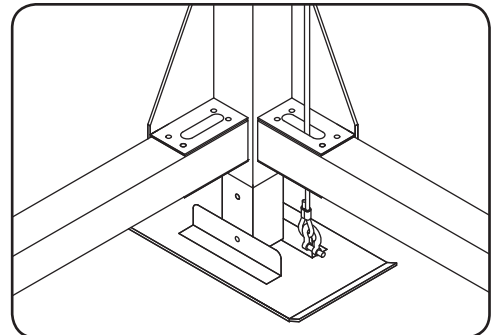


4.2 attach CABLES at bottom

Feed the two down cable ends through the side **MAINFRAME SPREADER** tubes and out the bottom of the lift. Attach using:

- 2 - shackles

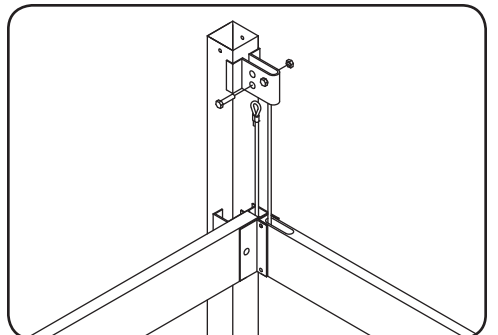
Unscrew the shackle pin and put the shackle through the loop at the end of the **CABLE**. Securely thread the pin into the shackle and tighten to secure the **CABLE**.



4.3 attach CABLES at top

Attach the two up ends of the **CABLES** to **POST #3** and **#4**. Use the holes closest to the **POST**, starting with both **CABLES** in the lowest holes. If the rear **CABLES** appear too loose, try moving one **CABLE**, or both to the next hole. Bolt in place using:

- 1 - 3/4" x 3" hex bolt
- 1 - 3/4" nylon lock nut



5.0 install **DIAGONALS**

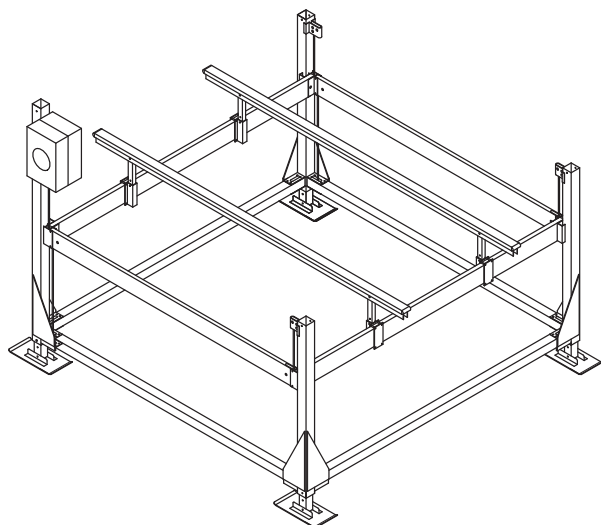
Install the **DIAGONAL BRACKETS** by snapping them over the center of the **SIDE MAINFRAME SPREADERS**. Bolt the **DIAGONALS** from this bracket to the hole at the top of each **POST** on the outside of the lift:

- 4 – 3/8" x 1-1/4" hex bolts for center bracket
- 4 – 3/8" x 5-1/2" hex bolts for top of post (found in lift bolt package)
- 8 – 3/8" hex lock nuts

install **BATTERY TRAY** and **SOLAR PANEL**

Install the **BATTERY TRAY** onto the **DIAGONAL BRACE** just under the winch, be sure that it won't interfere with the lift being raised. Mount the **SOLAR PANEL** to the post that holds the winch.

● PARTS FOR THIS STEP	FOR	
	LSV75C	LSV75CP
BUNK ASSEMBLY (G)	2	4
BOLT PACKAGE STEP 5	1	2



FOR LSV75120C and LSV75120CP

5.1 attach **BUNKS**

Attach **BUNK SOCKETS** and **BUNK SOCKET PLATES** making sure to place the sockets towards the inside of the lift using:

- 16 – 3/8" x 3" hex bolts
- 16 – 3/8" nylon lock nuts

Install the **BUNKS** by sliding into the **BUNK SOCKETS** and securing with:

- 4 – 3/8" x 2-1/2" hex bolts
- 4 – 3/8" nylon lock nuts

5.2 adjust **BUNKS**

Move your lift into the water.

Adjust the height and position of the **BUNKS** so that they cradle your boat and keep the bottom of the boat off the **CRADLE**.

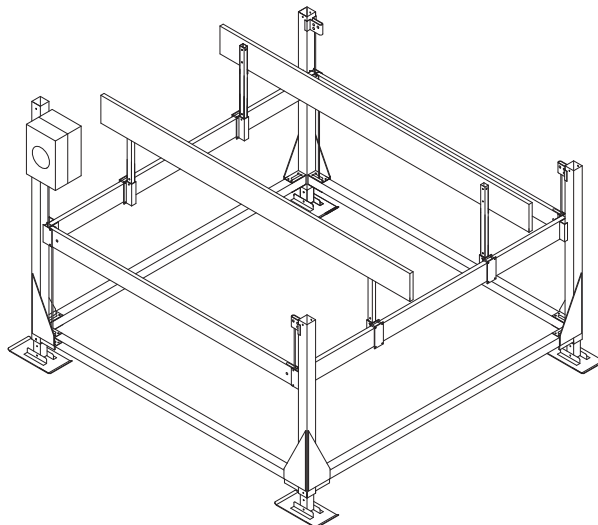
NOTE: For LSV75120CP repeat **STEP 5.1** and **STEP 5.2** for the second set of bunks.

6.1 adjust **LEGS**

Adjust the lift **LEGS** so that the lift sits level in the water, within 3" to 6" is acceptable.

STEP 5

● PARTS FOR THIS STEP	FOR	
	LSV75CP-U	
UNDER DECK BUNK LEGS (C)	4	
BOLT PACKAGE STEP 5	1	



FOR LSV75120CP-U

5.1 attach **BUNKS**

Attach **BUNK SOCKETS** and **BUNK SOCKET PLATES** making sure to place the sockets towards the center of the lift.

- 16 – 3/8" x 3" hex bolts
- 16 – 3/8" nylon lock nuts

Install the (4) 36" **UNDER DECK BUNK LEGS** using:

- 4 – 3/8" x 2-1/2" hex bolts
- 4 – 3/8" nylon lock nuts

(2) 2" x 12" boards (bunks) must be purchased separately. They should be at least 16' long. These are to be attached to the outside of the 36" **UNDER DECK BUNK LEGS** using:

- 8 – 3/8" x 2-1/2" carriage bolts
- 8 – 3/8" nylon lock nuts

5.2 adjust **BUNKS**

Adjust the height of the **BUNKS** so that the pontoons miss the lift cradle by 2" or more and so they fit between the pontoons by 2" or more.

hints

- A. Shallow water? Remove the adjustable legs to make the lift sit even lower in the water. In this position the Cradle can be placed lower than on any other lift available.
- B. Deep water? Extension legs are available in 4', 5', and 6' lengths. Call your Dealer for pricing.
- C. The front Cable will last much longer if you grease the first 5' to 8' that goes into the winch.
- D. Do not over crank your lift. Be sure to notice the maximum height that your lift will rise to and STOP when you reach that height. Failure to do so will damage your lift.

important

- A. Your LSP Lift will only protect your personal watercraft if the craft is lifted well above the level of the water. In larger lakes or during storms, large waves may lift the craft from the lift or tip the lift over, causing damage both to the craft and the lift. You must take precautions to protect your craft and lift from these conditions. If your craft suffers damage from high waves LSP, Inc. will not accept responsibility for such damage.
- B. Inspect your lift often for signs of wear or improper operation. Be aware of normal cranking force. Any increase in cranking force is a sign that something is wrong. DO NOT USE the lift if any parts are worn or damaged, replace immediately.
- C. Pay attention to the condition of your cable. A frayed or rusted cable can lead to failure of the lift. Replace it immediately. Greasing the cable, especially where it enters the winch, can extend its life.
- D. A second caution decal is provided in the accessories box. If after assembly the decal is not easily seen then install the extra decal so that anyone using the lift can read it. NEVER let anyone operate the lift unless they are familiar with all safety rules.
- E. NEVER let anyone play on, around, or under the lift.

LS7005C accessory package

BPV75C	Bolt Package V75C	1
20902	Bunk Socket Bracket	4
20904	Bunk Socket Plate	4
MK1015	Pendant Kit	1
21072	Battery Jumper Cable	1

LS7011C accessory package

20902	Bunk Socket Bracket	4
20904	Bunk Socket Plate	4
21068	STEP 5	1

BPV75C bolt package

X422	3/8" x 5-1/2" hex bolt	4
21065	STEP 1	1
X420	3/8" x 5" hex bolt	16
Z451	3/8" hex lock nut	20
X452	3/8" flat washer	32
Y418G8	3/8" x 4-1/2" hex bolt	4
X522	1/2" x 5-1/2" hex bolt	2
Z551	1/2" hex lock nut	2
20981L	large aluminum washer	2
21066	STEP 2	1
X712	3/4" x 3" hex bolt	1
Z751	3/4" hex lock nut	1
20890	5/32 allen wrench	1
21067	STEP 3/4	2
X411	3/8" x 2 3/4" hex bolt	4
Z451	3/8" hex lock nut	4
X712	3/4" x 3" hex bolt	2
Z751	3/4" hex lock nut	2
SHACKLE	3/8" shackle	2
21068	STEP 5	1
X412	3/8" x 3" hex bolt	16
Z451	3/8" hex lock nut	20
Y410G8	3/8" x 2-1/2" hex bolt	4

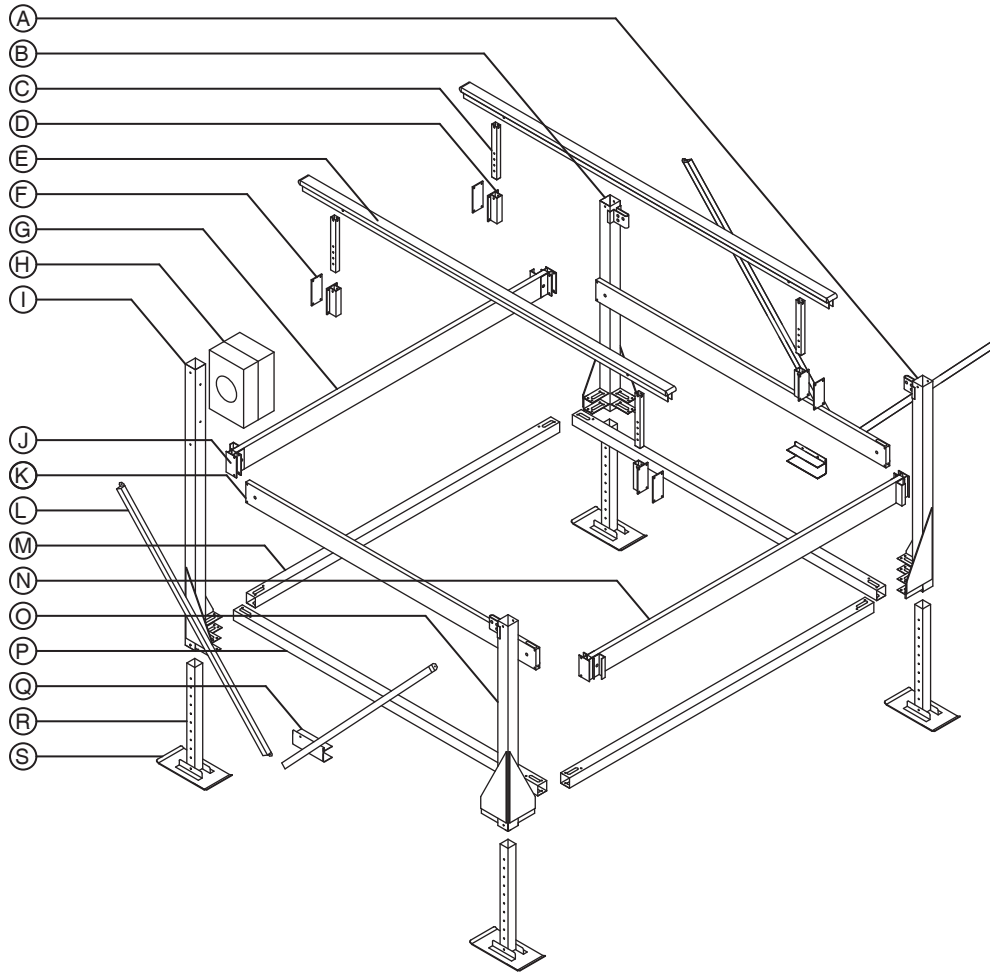
Ten/Two Year Limited Warranty

LSP, Inc. (Seller) warrants the aluminum structure on docks and lifts of its manufacture to be free from defects caused by material or workmanship for ten years from date of purchase. Seller will, at its option, repair or replace any such goods found on examination by Seller to be defective under normal use and service. Upon discovery of any such defect, Buyer must notify Seller in writing of defect and provide proof of purchase. Seller warrants all other materials including cast aluminum parts, mechanical components, hardware, canopy covers, cables, bunks, etc for two years. Components obtained from other manufacturers and used in Seller's products will be covered under the manufacturer's warranty and shall not be the responsibility of the Seller.

Seller's responsibility under this warranty shall be the repair or replacement of defective items. Seller is not liable for incidental or consequential damages of any kind.

Seller shall not be held responsible for repairs or modifications to its docks or lifts unless authorization has been obtained from Seller. This warranty does not cover damage caused by incorrect assembly or adjustments, overloading, improper use, neglected maintenance, alterations, or damage caused by accident, environmental factors (chemicals, tree sap, salt, etc), or acts of God (rainstorms, windstorms, tornadoes, etc).

LSV75120C Vertical Boat Lift, 7500 lbs. Capacity, 120" Beam Width, 50" Lift Height.



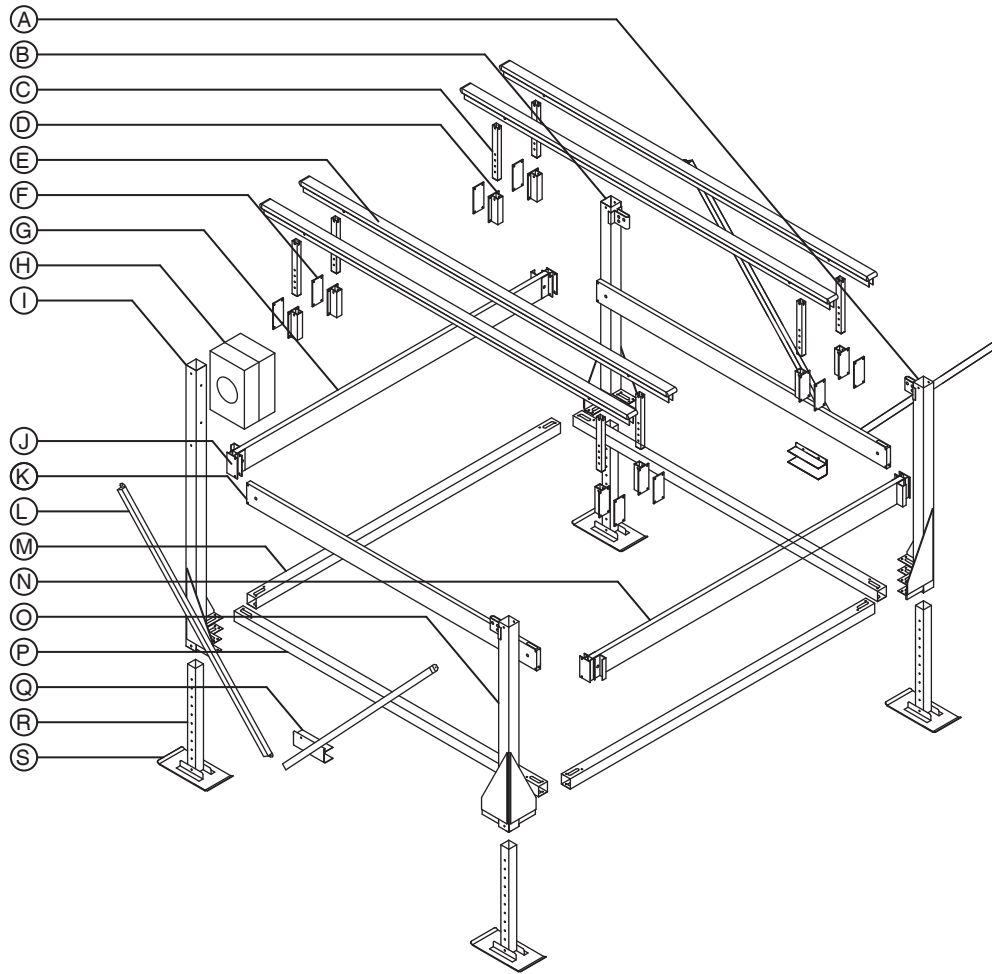
PARTS LIST LSV75120C

REF.	PART NO.	PART NAME	QTY.
A	21057	Mainframe Post #3	1
B	21056	Mainframe Post #2	1
C	BDL18	Bunk Down Leg	4
D	20902	Bunk Socket	4
E	BUNK75	Bunk Assembly	2
F	20904	Bunk Socket Plate	4
G	21053	Cradle Lifting	1
H	W8	7500 lb. Motor	1
I	21055	Mainframe Post #1	1
J	21058	Cradle Corner Bracket	4
K	21054	Cradle Spreader	2
L	20840	Diagonal Brace	4
M	20837	Mainframe Spreader 120"	2
N	21053	Cradle Leveling	1
O	21056	Mainframe Post #4	1
P	20837	Mainframe Spreader 120"	2
Q	20860	Diagonal Bracket	2
R	20989	Leg Tube 36"	4
S	20990	Foot Pad	4

REPLACEMENT PARTS

PART NO.	PART NAME	QTY.
21061	Cable Lift P 3/8" x 305" SS	1
21062	Cable Transfer Q 3/8" x 180" SS	2
21063	Cable Leveling R 3/8" x 193" SS	2

LSV75120CP Vertical Pontoon Lift, 7500 lbs. Capacity, 120" Beam Width, 50" Lift Height



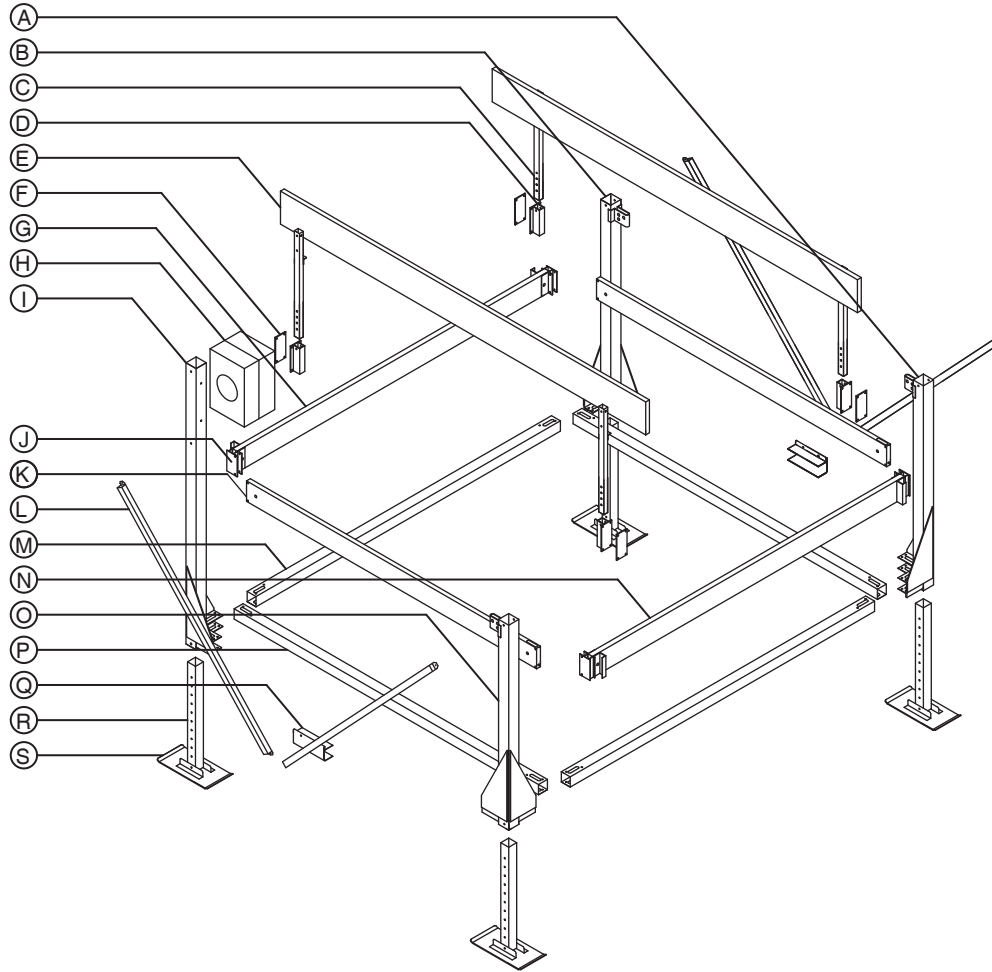
PARTS LIST LSV75120CP

REF.	PART NO.	PART NAME	QTY.
A	21057	Mainframe Post #3	1
B	21056	Mainframe Post #2	1
C	BDL18	Bunk Down Leg	4
D	20902	Bunk Socket	8
E	BUNK75	Bunk Assembly	4
F	20904	Bunk Socket Plate	8
G	21053	Cradle Lifting	1
H	W8	7500 lb. Motor	1
I	21055	Mainframe Post #1	1
J	21058	Cradle Corner Bracket	4
K	21054	Cradle Spreader	2
L	20840	Diagonal Brace	4
M	20837	Mainframe Spreader 120"	2
N	21053	Cradle Leveling	1
O	21056	Mainframe Post #4	1
P	20837	Mainframe Spreader 120"	2
Q	20860	Diagonal Bracket	2
R	20989	Leg Tube 36"	4
S	20990	Foot Pad	4

REPLACEMENT PARTS

PART NO.	PART NAME	QTY.
21061	Cable Lift P 3/8" x 305" SS	1
21062	Cable Transfer Q 3/8" x 180" SS	2
21063	Cable Leveling R 3/8" x 193" SS	2

LSV75120CP-U Vertical Pontoon Lift, 7500 lbs. Capacity, 120" Beam Width, 50" Lift Height



PARTS LIST LSV75120CP-U

REF.	PART NO.	PART NAME	QTY.
A	21057	Mainframe Post #3	1
B	21056	Mainframe Post #2	1
C	20895	Under Deck Down Leg	4
D	20902	Bunk Socket	4
E		2 x 12 x 16' SYP (purchased locally)	2
F	20904	Bunk Socket Plate	4
G	21053	Cradle Lifting	1
H	W8	7500 lb. Motor	1
I	21055	Mainframe Post #1	1
J	21058	Cradle Corner Bracket	4
K	21054	Cradle Spreader	2
L	20840	Diagonal Brace	4
M	20837	Mainframe Spreader 120"	2
N	21053	Cradle Leveling	1
O	21056	Mainframe Post #4	1
P	20837	Mainframe Spreader 120"	2
Q	20860	Diagonal Bracket	2
R	20989	Leg Tube 36"	4
S	20990	Foot Pad	4

REPLACEMENT PARTS

PART NO.	PART NAME	QTY.
21061	Cable Lift P 3/8" x 305" SS	1
21062	Cable Transfer Q 3/8" x 180" SS	2
21063	Cable Leveling R 3/8" x 193" SS	2