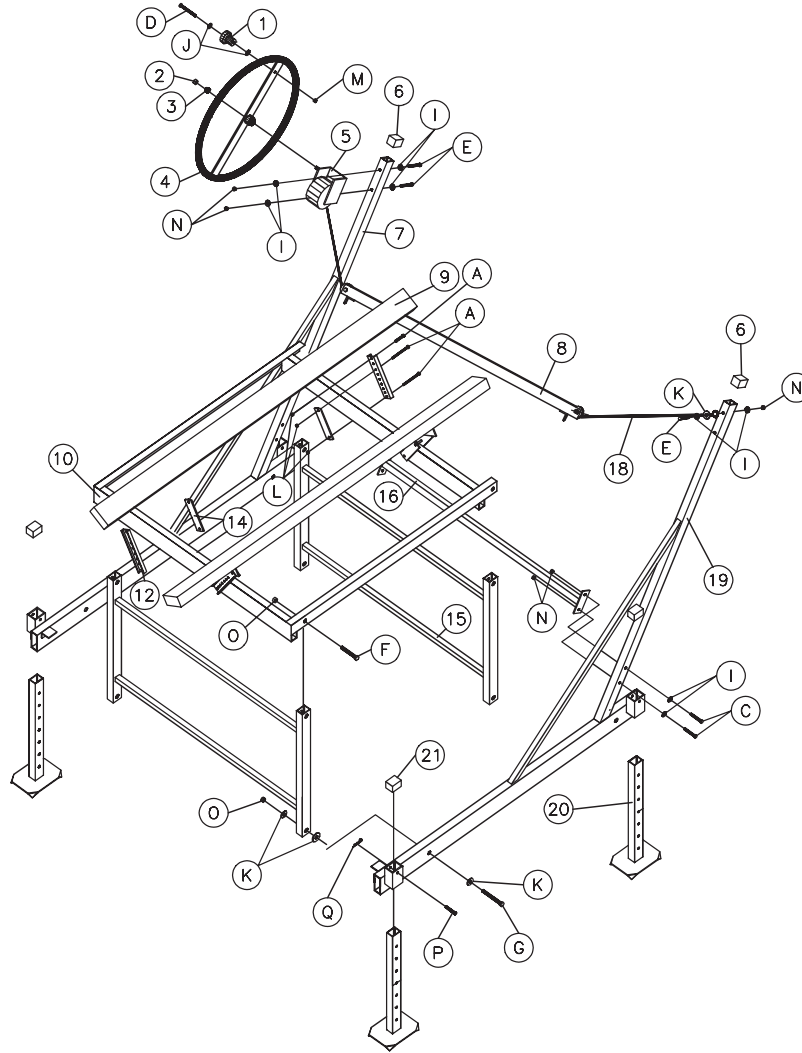


LSC1264A 1200 lb, 64" Beam, 35" Lift Height.



PARTS LIST

ref.	part no.	part name	qty.
1	20552	Wheel Knob	1
2/3	20498	Winch Hardware	1
4	LS1102	25" JL Wheel	1
5	JLDWINCHD	Dutton-Lainson DLB-1500 Winch	1
6	CAPS1530	1 1/2" x 3" Gray Cap	2
7	20874	Left Mainframe	1
8	21088/20682	Pulley Bar Assembly/Hardware Only	1/1
9	21021	Vinyl Wrapped Aluminum Bunk	2
10	21089	Cradle Weld Assembly	1
12	20501	Bunk Adjustment Channel	4
14	20502	Bunk Backer Plate	4
15	20817	H Unit	2
16	20909	Mainframe Spreader Tube	1
18	20464	Cable 3/16" x 252"	1
19	20875	Right Mainframe	1
20	JLU	Leg	4
21	CAPS1520	1 1/2" x 2" Gray Cap	4

BOLT LIST

ref.	part no.	part name	qty.
A	X304	5/16 x 1 Hex Bolt	4
A	X310	5/16 x 2 1/2 Hex Bolt	8
C	X410	3/8 x 2 1/2 Hex Bolt	4
D	X410	3/8 x 2 1/2 Hex Bolt	1
E	X416	3/8 x 4 Hex Bolt	3
F	X512	1/2 x 3 Hex Bolt	4
G	X518	1/2 x 4 1/2 Hex Bolt	4
I/J	X452	3/8 Stainless Flatwasher	12
K	X552	1/2 Flatwasher	13
L	Z351	5/16 Lock Nut	12
M	Z450	3/8 Hex Nut	1
N	Z451	3/8 Lock Nut	7
O	Z551	1/2 Lock Nut	8
P	CP	3/8 x 2 1/2 Clevis Pin	4
Q	HPC	Cotter	4