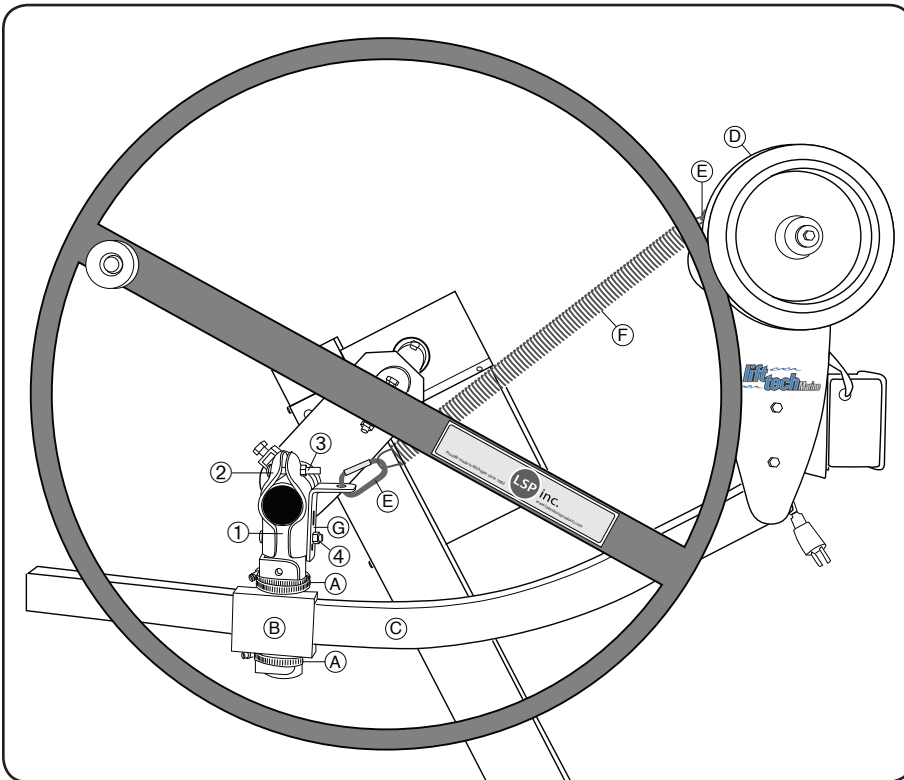




Assembly Instructions

EMPKIT

Mounting Kit for Lift Tech
Wheel Assist on Cantilever
Pontoon Lifts



EMPKIT

PARTS LIST

| ref. | part no. | part name | qty. |
|------|----------|--|------|
| 1 | - | RTUBE 2" dia. x 11" with Cap | 1 |
| 2 | 30000 | Crossarm Clamp Half | 2 |
| 3 | Y410C | 3/8 x 2 1/2 Carriage Bolt with nut & washer | 1 |
| 4 | Y412C | 3/8 x 3 Carriage Bolt Zinc with nut & washer | 1 |

BL110VM / BL12VM

LIFT TECH WHEEL ASSIST

(purchased separately)

PARTS LIST

| ref. | part name | qty. |
|------|------------------|------|
| A | Hose Clamp | 2 |
| B | Mounting Bracket | 1 |
| C | Bent Mount Bar | 1 |
| D | Motor | 1 |
| E | Carabiner | 2 |
| F | Large Spring | 1 |
| G | Angle Bracket | 1 |

Manufacturers of Lakeshore Products

855 East Chicago Road, Quincy, MI 49082

www.lakeshoreproducts.com • tel: 517.639.3815 • fax: 517.639.4576

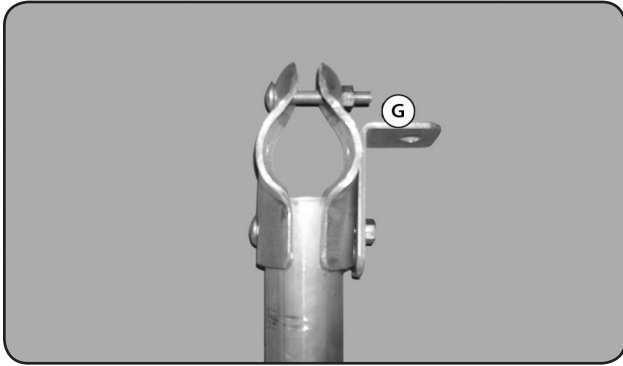
EMPKIT Mounting Kit for Lift Tech Wheel Assist on Cantilever Pontoon Lifts

tools needed

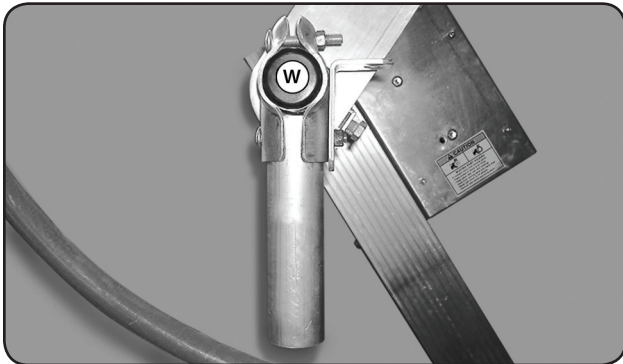
9/16 wrench

1

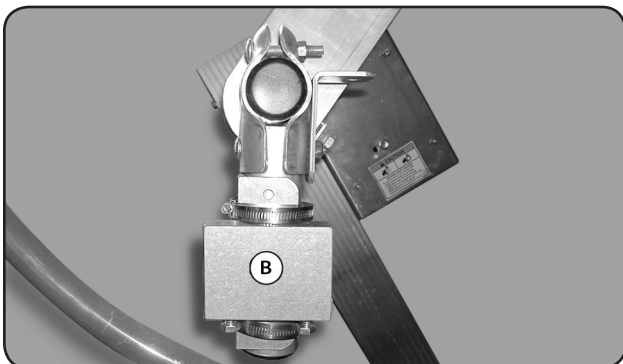
1. Bolt the Angle Bracket (G) to the EMPKIT using the 3/8" x 3" carriage bolt as shown. **NOTE: Do not tighten yet.**



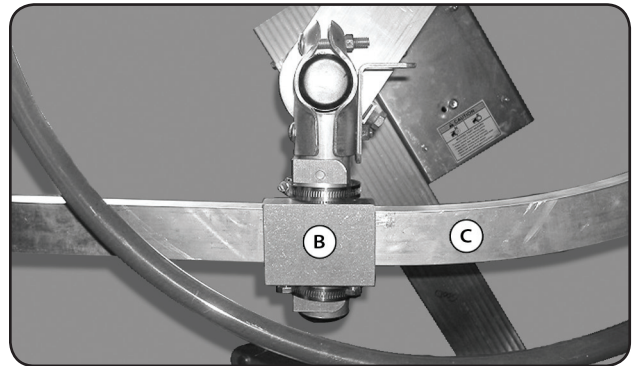
2. Slide the EMPKIT over the Wheel Support Tube (W) in the 6 o'clock position, with the Angle Bracket pointing to the right side of the wheel. Tighten lower bolt first. Then upper bolt.



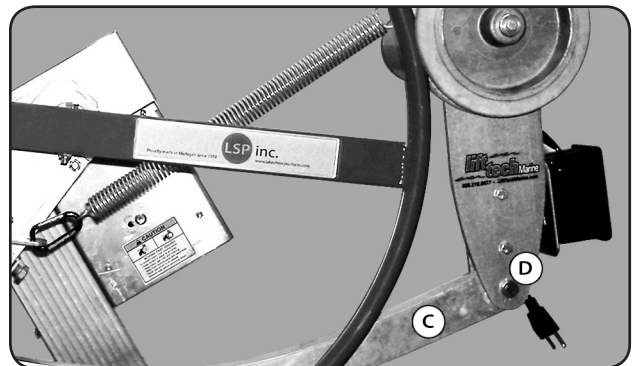
3. With bolts on Mounting Bracket (B) facing down, use the 2 Hose Clamps (A) to attach Mounting Bracket to the EMPKIT.



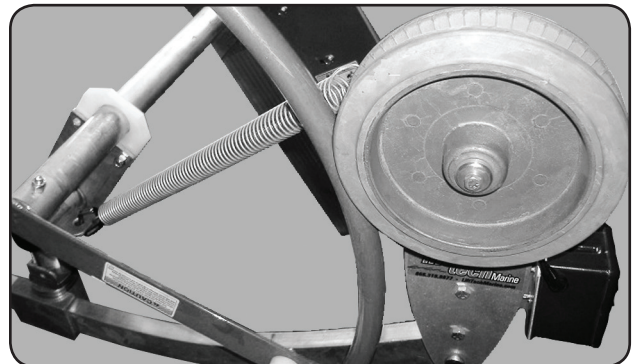
4. Slide the Bent Mount Bar (C) through Mounting Bracket (B) with the bent end toward the right side of the wheel. Position with approximately 10" to 11" remaining to the left of Mounting Bracket (B), then tighten the two bolts on the bottom of Mounting Bracket (B).



5. With the Switch facing to the right, align the hole in (C) with the hole in (D) and insert pin and keeper. **NOTE: Switch should be close to vertical.**



6. Rotate the motor up to meet the lift wheel and attach the Spring to the motor as well as the Angle Bracket ((G) in step 1) by using Carabiners provided. **NOTE: Make sure rubber wheel lines up with red wheel on lift.**



CAUTION MAKE SURE YOU USE THE PROPER GAGE POWER CORD FROM YOUR POWER SOURCE TO THE MOTOR. LACK OF PROPER AMPERAGE CAN CAUSE DAMAGE TO MOTOR.