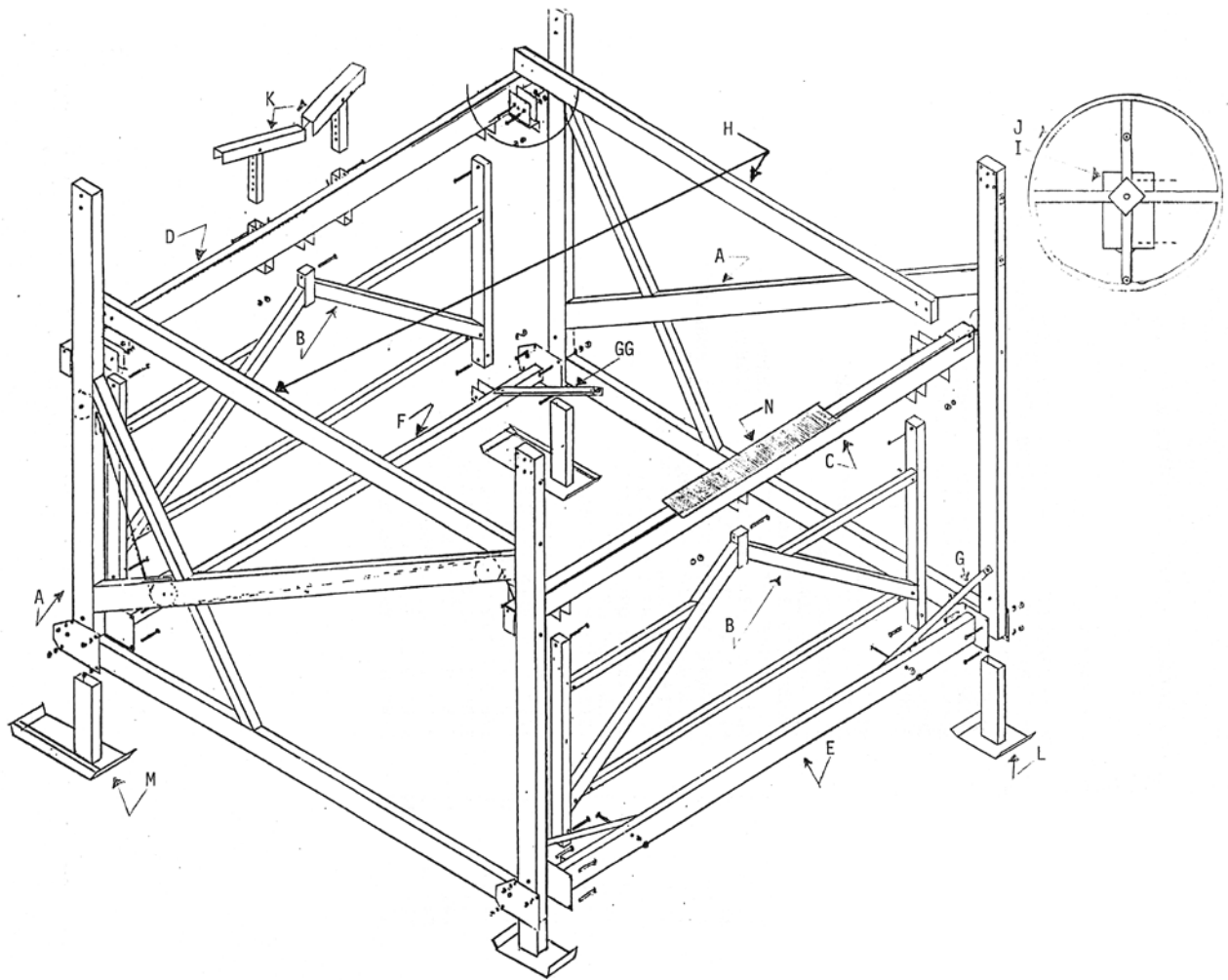


ACL16



ACL16

Cantilever Lift, 1600 lbs. Load Capacity, 96" Beam Width, 42" Lift Height, 250 lbs. Weight

PARTS LIST

REF.	PART NO.	PART NAME	QTY.
A	16MF	Mainframe Assembly	2
B	16HU	H Unit	2
C	16CF	Front Cradle Unit	1
D	16CR	Rear Cradle Unit	1
E	16MSF	Mainframe Spreader Tube (front)*	1
F	16MSR	Mainframe Spreader Tube (rear)	1
G		24" Angle Braces	2
GG	BMFAB2	24" Back Braces	2
H	BCST4	Cradle Spreader Tube	2
I		Winch (with cover)	1
J		Wheel	1
K	20009	Adjustable Carpeted Bunks	2
L	16LUF	Front Adjustable Leg	2
M	16LUR	Rear Adjustable Leg (non-interchangeable)	2
N	BU35	Front Carpeted Bunk	1
	16C	Cable 1/4" x 61"	1

*has holes for angle braces pre-drilled