

LAKE SHORE PRODUCTS, INC.

Instruction Manual

Read carefully.

Failure to follow the instructions and
safety rules could result in severe injury
or death !!

LSC860 800# Jet Lift

LSC860 Parts List

Ref. No.	Part No.	Part Name	Qty
1	KNOB	Spinner Knob	1
2	Y556	1/2 Jam Nut	1
3	20151	Winch Spring	1
4	25W	25" JL Wheel	1
5	20418	Dutton-Lainson DLB-1200 Winch	1
6	20462	1 1/2 x 3 Plastisol Cap	2
7	20397	Left Mainframe	1
8	PULJL/20620	Pulley Assembly/ Pulley Bar	2/1
9	20420	Carpeted Bunk	2
10	20417	Cradle Spreader Tube	2
11	20463	Angle Cap	4
12	20501	Bunk Bracket Adjustment Channel	4
13	20502	Bunk Bracket Plate	4
14	20412	Rear Cradle	1
15	20404	H Unit	2
16	20408	Mainframe Spreader Tube	1
17	20411	Front Cradle	1
18	13033	Cable	1
19	20398	Right Mainframe	1
20	JLU	Leg	4
21	DEM12	1 1/2 x 2 Plastisol Cap	4

LSC860 Bolts List

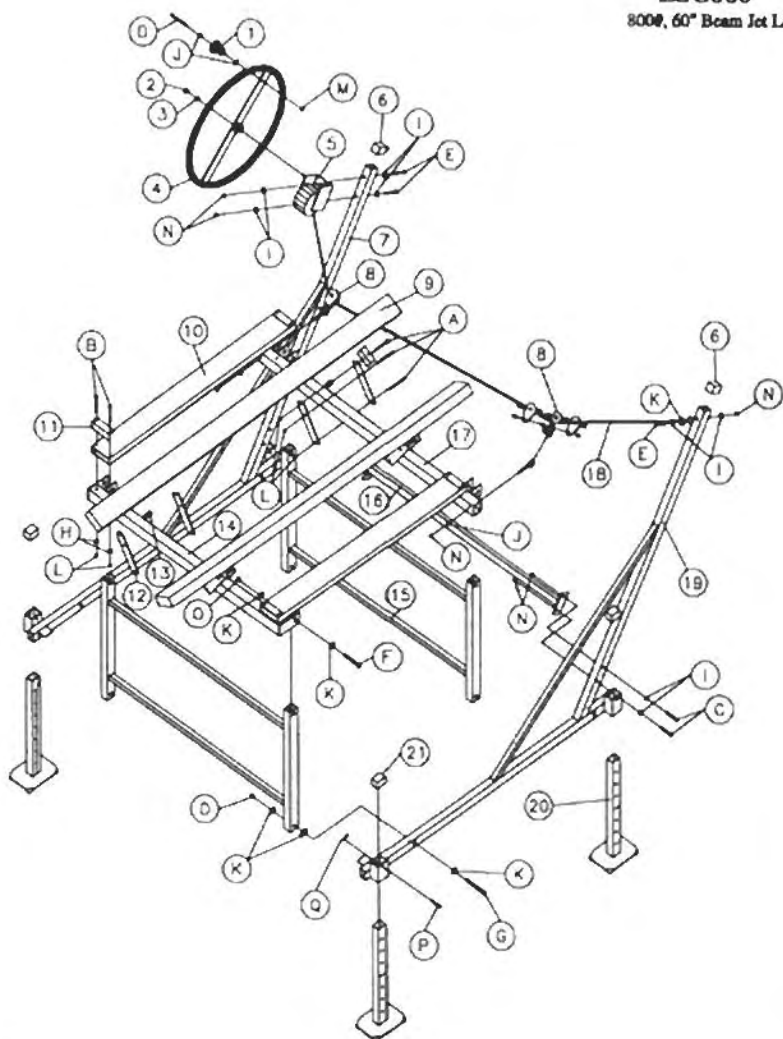
* Available locally

	Y304	*	5/16 x 1 Hex Bolt	4
A	Y310	*	5/16 x 2 1/2 Hex Bolt	8
B	Y326	*	5/16 x 6 1/2 Hex Bolt	8
C	Y410	*	3/8 x 2 1/2 Hex Bolt	4
D	Y410	*	3/8 x 2 1/2 Hex Bolt	1
E	Y416	*	3/8 x 4 Hex Bolt	3
F	Y514	*	1/2 x 3 1/2 Hex Bolt	4
G	Y519	*	1/2 x 4 3/4 Hex Bolt	4
H	Y352	*	5/16 Flatwasher	8
I	Y452	*	3/8 Flatwasher	10
J	X452	*	3/8 Stainless Flatwasher	2
K	Y552	*	1/2 Flatwasher	29
L	Y353	*	5/16 Lock Nut	20
M	Y450	*	3/8 Hex Nut	1
N	Y451	*	3/8 Lock Nut	7
O	Y551	*	1/2 Lock Nut	8
P	CP		3/8 x 2 1/2 Clevis Pin	4
Q	HPC		S-Bend Cotter Pin	4

LAKESHORE PRODUCTS, INC.
1000 Lakeshore Blvd. • Lakeshore, Illinois • Tel. (815) 298-4900 • Fax (815) 298-4200

LSC860

800#, 60° Beam Jet Lift



LSC860

Lakeshore Products, Inc. 800#, 60" Beam Jet Lift

We have made every attempt to make assembly of your new lift as simple as possible. You should have received three shipping bundles. The mainframe bundle, containing all of the large parts, the wheel package, and an accessory package. Following is a list of the components included in your accessory package.

Accessory Package List:

- (12) 5/16 x 2-1/2 hex bolts
- (8) 5/16 x 6-1/2 hex bolts
- (4) 3/8 x 2-1/2 hex bolts
- (3) 3/8 x 4 hex bolts
- (4) 1/2 x 3-1/2 hex bolts
- (4) 1/2 x 4-1/2 hex bolts
- (12) 5/16 flat washers
- (10) 3/8 flat washers
- (13) 1/2 flat washers
- (24) 5/16 lock nuts
- (7) 3/8 lock nuts
- (8) 1/2 lock nuts
- (4) Angle caps - 4-1/2 long
- (8) Bunk bracket plates - 1-3/4 x 8-5/8
- (4) Bunk bracket tubes - 3/4 OD x 1-1/2
- (2) 1-1/2 x 3 red plastisol caps
- (4) 1-1/2 x 2 red plastisol caps
- (1) Cable with loop in one end
- (1) 1200# D/L Winch
- (1) Instruction Manual

You will require the following tools:

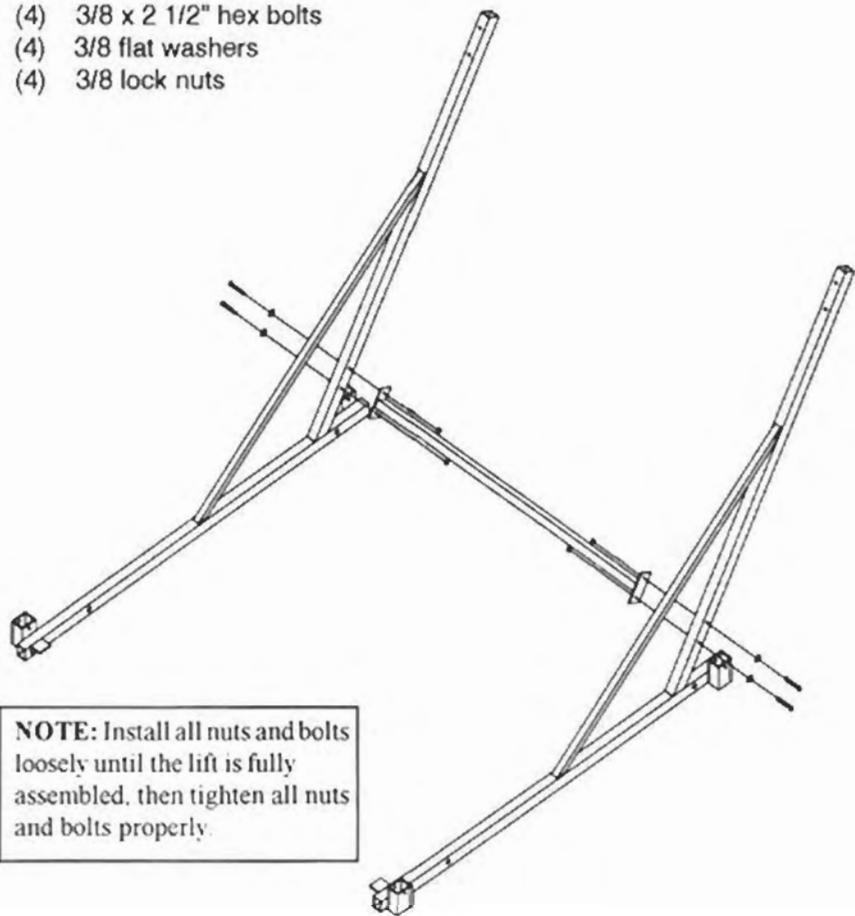
- (2) 1/2 wrenches
 - (2) 9/16 wrenches
 - (2) 3/4 wrenches
- or (2) crescent wrenches

CAUTION Do not over tighten the nuts and bolts on your lift. Doing so may cause the lift to fail. When tightening against a tube, tighten until the aluminum just dimples. Lock nuts should be tightened until at least one thread of the bolt is showing through the nut. If you crush the tube, it may crack and fail under normal use.

1) Set up the Mainframes on a level area. Install the red plastisol caps on top of the Mainframe and the Legs.

2) Bolt the Mainframe Spreader Tube between the Mainframes using:

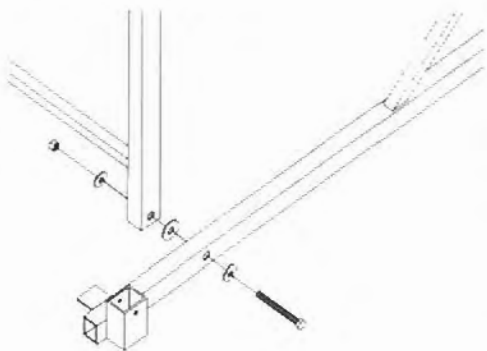
- (4) 3/8 x 2 1/2" hex bolts
- (4) 3/8 flat washers
- (4) 3/8 lock nuts



NOTE: Install all nuts and bolts loosely until the lift is fully assembled, then tighten all nuts and bolts properly.

NOTE: The bolts in Step 3 and Step 4 are pivot points which allow the lift to go up and down. These bolts need to remain loose enough to allow the joint to pivot. Do not over tighten.

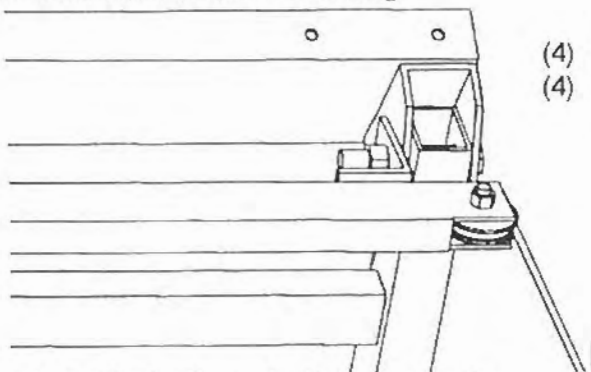
3) Install the H Units with:



- (4) 1/2 x 4 1/2 hex bolts
- (12) 1/2 flat washers
- (4) 1/2 lock nuts

Place a washer under the head of the bolt, under the nut, and between the H Unit and the Mainframe.

4) Install one cradle and the pulley bar assembly to the front H-unit. Attach the rear cradle to the rear H-unit using:



- (4) 1/2 x 3 1/2 hex bolts
- (4) 1/2 lock nuts

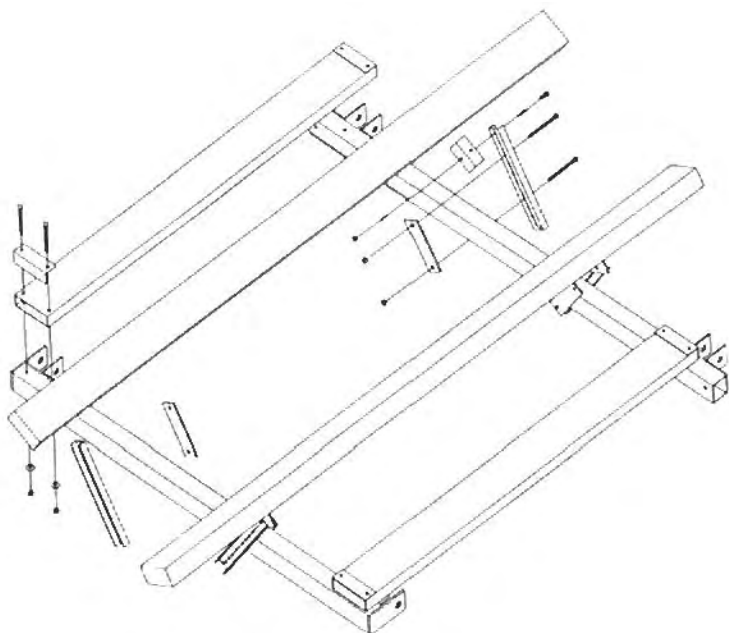
5) Attach the Cradle Spreader Tubes to the Front and Rear Cradles using:

- (8) 5/16 x 6 1/2 hex bolts
- (4) Angle caps - 4 1/2 long
- (8) 5/16 flatwashers
- (8) 5/16 lock nuts

6) Attach the Carpeted Bunks to the Front and Rear Cradles using:

- (4) 5/16 x 1 hex bolts
- (8) 5/16 x 2 1/2" hex bolts
- (4) Bunk Adjustment Channels
- (4) Bunk Backer Plates
- (12) 5/16 lock nuts

Make sure that the angles are on the outside of the lift



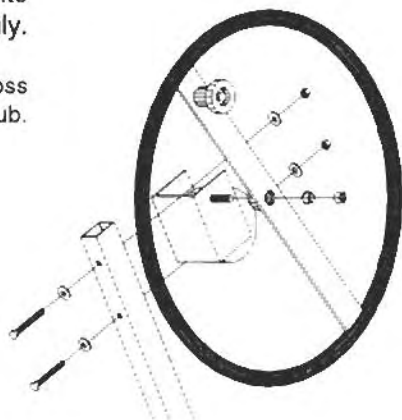
7) Install the winch on the desired side of the lift with:

- (2) 3/8 x 4 hex bolts
- (4) 3/8 flat washers
- (2) 3/8 lock nuts

8) CAREFULLY thread the 25" red wheel onto the winch shaft. The wheel should turn easily.

NOTE: Extreme care should be taken not to cross thread and damage the threads on the wheel hub. THIS IS NOT COVERED BY WARRANTY.

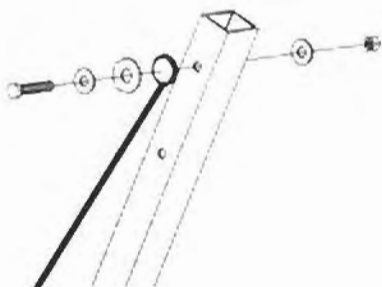
Install (1) winch spring
 (1) 1/2 jam lock nut
 onto the shaft. Tighten the jam nut while preventing the winch from turning. If the winch is allowed to turn, the wheel will come off the shaft. Only 1 or 2 threads should show through the nylon in the nut.



Turn the wheel clockwise until it tightens up against the winch and you hear the braking mechanism begin to click. When you turn the wheel counterclockwise the brake will be released. Make certain the brake is activated when performing the next step.

9) Attach the loop end of the cable to the Mainframe opposite the winch using:

- (1) 3/8 x 4 hex bolt
- (2) 3/8 flat washers
- (1) 1/2 flat washer
- (1) 3/8 lock nut.



String the cable as shown in the exploded view and secure it to the Winch following the instructions included with the Winch.

You may now tighten all of the nuts and bolts you have installed except the 1/2" pivot bolts in Step 3 and Step 4.

Be careful not to over tighten.

WARNING!!! Inspect your lift often to insure safe use. Replace any worn or damaged parts immediately!!

DO NOT use the lift if any parts are worn or damaged.

10) Move your lift into the water and adjust the legs so that the lift is level. Adjust the bunks to best fit your craft.

Enjoy your lift.

In Deep Water?

If you have a deep lake and are in need of longer legs, Lakeshore Products, Inc. offers 4 foot long legs for your Jet Lift. Ask your dealer for details or call us at (517) 639-3815

Hold Down Kit

If you have difficulties with rough water and are concerned about your lift tipping over, there is a solution. Lakeshore Products offers a simple kit that screws into the lake bottom to hold your lift steady. Ask your dealer for details.

IMPORTANT

Your Lakeshore Jet Lift will only protect your personal watercraft if the craft is lifted well above the level of the water. In larger lakes or during storms, large waves may lift the craft from the lift or tip the lift over, causing damage both to the craft and the lift. You must take precautions to protect your craft and lift from these conditions. If your craft suffers damage from high waves, Lakeshore Products will not accept responsibility for such damage.

Inspect your lift often for signs of wear or improper operation. Be aware of normal cranking force. Any increase in cranking force is a sign that something is wrong.

Pay attention to the condition of your cable. A frayed or rusted cable can lead to failure of the lift. Replace it immediately.

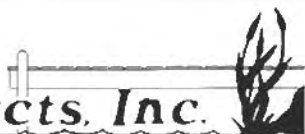
Lakeshore Products, Inc
is
Your waterfront specialist!

We offer a complete line of Quality Aluminum
waterfront accessories.

Vertical Boatlifts
Pontoon Lifts
Personal Watercraft Lifts
Docks and accessories
Pontoon Ladders
Anchors

Ask your dealer for details.

Lakeshore Products, Inc.



Ten/Two Year Limited Warranty

Lakeshore Products, Inc. (Seller) warrants the aluminum structure on docks and lifts of its manufacture to be free from defects caused by faulty material or poor workmanship. Seller will, at its option, repair or replace any such goods found on examination by Seller, to be defective under normal use and service within ten years from date of purchase. Upon discovery of any such defect, Buyer must notify Seller in writing of defect and provide proof of purchase. Seller warrants cast aluminum parts, mechanical components, and hardware for two years.

Seller shall not be held responsible for repairs or modifications to its docks or lifts unless authorization has been obtained from Seller. This warranty does not cover damage caused by incorrect assembly or adjustments, overloading, improper use, neglected maintenance, alterations, or damage caused by accident, ice, salt water, or acts of God.

Components obtained from other manufacturers and used in Seller's products will be covered under the manufacturer's warranty and shall not be the responsibility of the Seller.

Seller's responsibility under this warranty shall be the repair or replacement of defective items. Seller is not liable for incidental or consequential damages of any kind.

855 Chicago Rd • Quincy, Michigan 49082 • (517) 639-3815 • Fax (517) 639-4576

Lakeshore Products, Inc.



"Your Waterfront Specialists"

855 Chicago Road • Quincy, Michigan 49082
(517) 639-3815 • Fax: (517)639-4576