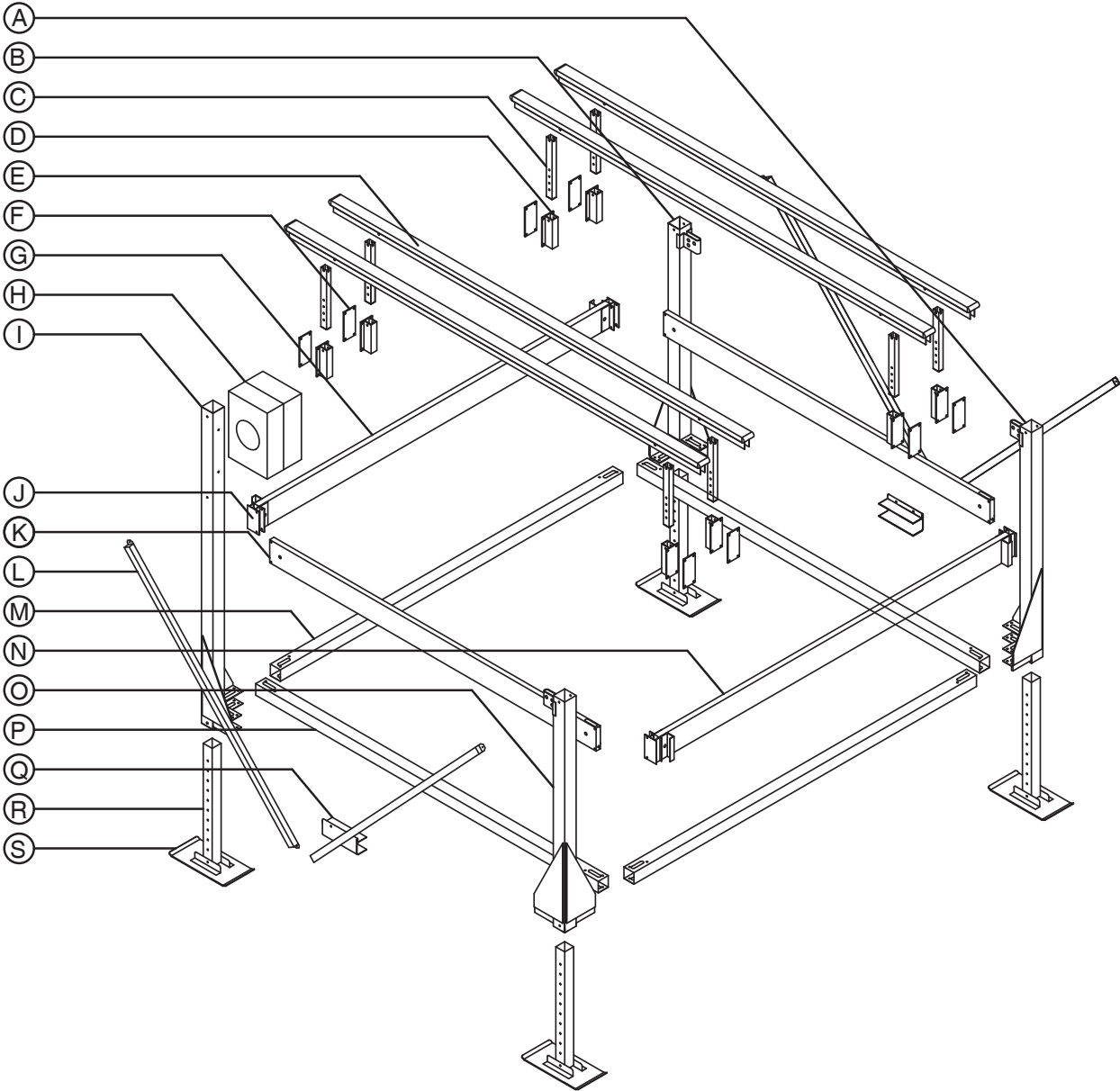


LSV75120CP



LSV75120CP Vertical Pontoon Lift, 7500 lbs. Capacity, 120" Beam Width, 50" Lift Height.

PARTS LIST

REF.	PART NO.	PART NAME	QTY.
A	21057	Mainframe Post #3	1
B	21056	Mainframe Post #2	1
C	BDL18	Bunk Down Leg	4
D	20902	Bunk Socket	8
E	BUNK75	Bunk Assembly	4
F	20904	Bunk Socket Plate	8
G	21053	Cradle Lifting	1
H	W8	7500 lb. Motor	1
I	21055	Mainframe Post #1	1
J	21058/21064	Cradle Corner Bracket/Wear Strip	4/8
K	21054	Cradle Spreader	2
L	20840	Diagonal Brace	4
M	20837	Mainframe Spreader 120"	2
N	21053	Cradle Leveling	1
O	21056	Mainframe Post #4	1
P	20837	Mainframe Spreader 120"	2
Q	20860	Diagonal Bracket	2
R	20989	Leg Tube 36"	4
S	20990	Foot Pad	4

REPLACEMENT PARTS

PART NO.	PART NAME	QTY
21061	Cable Lift P 3/8" x 305" SS	1
21062	Cable Transfer Q 3/8" x 180" SS	2
21063	Cable Leveling R 3/8" x 193" SS	2

BOLT LIST BPV75C

PART NO.	PART NAME	QTY	PART NO.	PART NAME	QTY
X422	3/8" x 5-1/2" hex bolt	4	21067	STEP 3/4	2
21065	STEP 1	1	X411	3/8" x 2 3/4" hex bolt	4
X420	3/8" x 5" hex bolt	1 6	Z451	3/8" hex lock nut	4
Z451	3/8" hex lock nut	2 0	X712	3/4" x 3" hex bolt	2
X452	3/8" flat washer	3 2	Z751	3/4" hex lock nut	2
Y418G8	3/8" x 4-1/2" hex bolt	4	SHACKLE	3/8" shackle	2
X522	1/2" x 5-1/2" hex bolt	2	21068	STEP 5	1
Z551	1/2" hex lock nut	2	X412	3/8" x 3" hex bolt	16
20981L	large aluminum washer	2	Z451	3/8" hex lock nut	20
21066	STEP 2	1	Y410G8	3/8" x 2-1/2" hex bolt	4
X712	3/4" x 3" hex bolt	1			
Z751	3/4" hex lock nut	1			
20890	5/32 allen wrench	1			