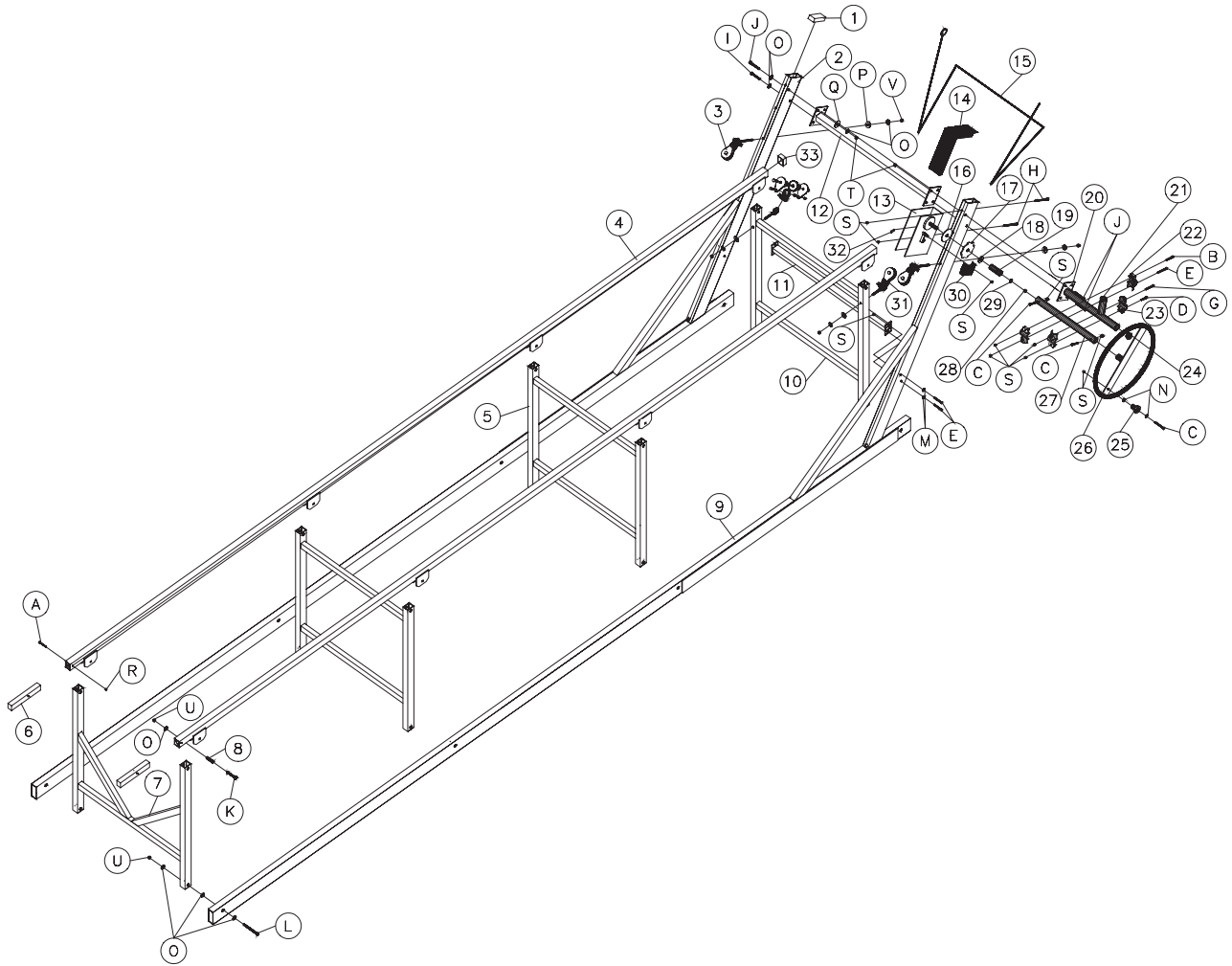


# LSP16 • LSP21 • LSP24 • LSP28



# LSP16 • LSP21 • LSP24 • LSP28

## PARTS LIST

REF.	PART NO.	PART NAME	QTY.
1	DEM25	2" x 5" Plastisol Cap	2
2	20159/20161/20163/20388*	Left Mainframe	1
3	PUL6	6" Eyebolt Pulley	2
4	PC16/PC21/PC24/PC28*	Cradle Tube	2
5	PHU2	Middle H Unit	1/2/2/3*
6	PRK	Pontoon Roller Kit	2
7	PHU3	Rear H Unit	1
8	Spacer2.1	Cradle Pivot Spacer	6/8/8/10
9	20160/20162/20164/20389*	Right Mainframe	1
10	20053	Front H Unit	1
11	PSTL	Lower Spreader Tube	1
12	PSTU	Upper Spreader Tube	1
13	W5	3500 lb. Winch	1
14	WC2	Small Winch Cover	1
15	20640	Cable	1
16	WINCHBP1	Winch Brake Pad	1
17	WLS	Winch Locking Sprocket	1
18	W952	Bronze Thrust Washer	1
19	WSA	Winch Shaft Adapter	1
20	20111	Wheel Support Tube	1
21	XCT	Crossarm	1
22	XCLP	Plastic Crossarm Clamp Assembly	1
23	XCL	Aluminum Crossarm Clamp Assembly	1
24	RODAG56	Plastic Tube Cap	1
25	20552	Wheel Knob with Fastening Hardware	1
26	LS3004	32" Pontoon Wheel	1
27	20021	Wheel Extension Tube	1
28	Y556	1/2" Jam Nut	1
29	Y552A	WSA Washer	1
30	WSC	Small Winch Sprocket Cover	1
31	PUL3	3" Eyebolt Pulley	2
32	20039	Winch Wedge	1
33	DEM22	2" x 2 1/2" Plastisol Cap	2

\* LSP16/LSP21/LSP24/LSP28