

LAKESHORE PRODUCTS, INC.

Quincy - ME - 49082 - tel 517.634.3812

Instruction Manual

1400# Jet Lift

**Read carefully.
Failure to follow the
instructions and safety
rules could result in
severe injury or death !**

LSC1480

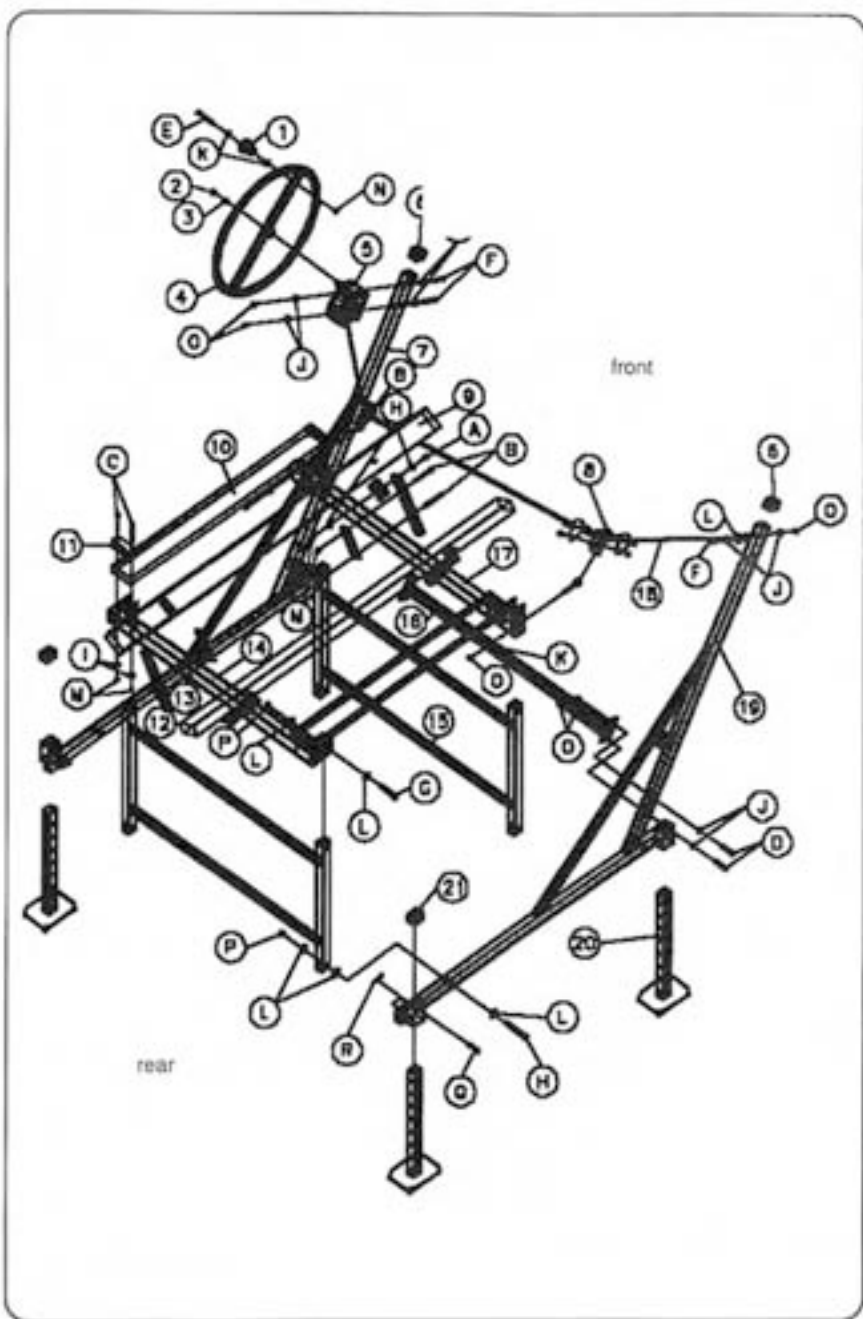
LSC1480 Parts List

ref. no.	part No.	part name	qty
1	KNOB	Spinner Knob	1
2	Y556	1/2 Jam Nut	1
3	20151	Winch Spring	1
4	25WD	25" 1500# JL Wheel	1
5	JLDWINCH	Dutton-Lainson DLB-1500 Winch	1
6	20466	1 1/2 x 4 1/2 Plastisol Cap	2
7	20439	Left Mainframe	1
8	PULJL	Pulley Assembly	2
9	20442	Carpeted Bunk	2
10	20402	Cradle Spreader Tube	2
11	20463	Angle Cap	4
12	20501	Bunk Adjuster Channel	4
13	20502	Channel Backer Plate	4
14	20822	Rear Cradle	1
15	20820	H Unit	2
16	20819	Mainframe Spreader Tube	1
17	20821	Front Cradle	1
18	20454	Cable	1
19	20440	Right Mainframe	1
20	JLU	Leg	4
21	DEM12	1 1/2 x 2 Plastisol Cap	4

LSC1480 Bolts List

* available locally

A	Y304	*	5/16 x 1 Hex Bolt	4
B	Y310	*	5/16 x 2 1/2 Hex Bolt	8
C	Y326	*	5/16 x 6 1/2 Hex Bolt	8
D	Y410	*	3/8 x 2 1/2 Hex Bolt	4
E	Y410	*	3/8 x 2 1/2 Hex Bolt	1
F	Y422	*	3/8 x 5 1/2 Hex Bolt	3
G	Y514	*	1/2 x 3 1/2 Hex Bolt	4
H	Y519	*	1/2 x 4 1/2 Hex Bolt	4
I	Y352	*	5/16 Flatwasher	16
J	Y452	*	3/8 Flatwasher	10
K	X452	*	3/8 Stainless Flatwasher	2
L	Y552	*	1/2 Flatwasher	13
M	Y353	*	5/16 Center Lock Nut	20
N	Y450	*	3/8 Hex Nut	1
O	Y451	*	3/8 Nylon Lock Nut	7
P	Y551	*	1/2 Nylon Lock Nut	8
Q	CP		3/8 x 2 1/4 Clevis Pin	4
R	HPC		S-Bend Cotter Pin	4



1400#, 80" Beam Jet Lift

Thank you for purchasing a Lakeshore Jet Lift. With proper care and maintenance, this lift will provide you with years of trouble free service. Please follow these instructions carefully.

We have made assembly of your new lift as simple as possible. Each bolt pack is labeled to correspond to the steps listed in this manual. Below is a list of the components included in your accessory package.



tools needed

1/2 wrenches	2
9/16 wrenches	2
3/4 wrenches	2
7/16 wrench [for winch]	1
or	
adjustable wrenches	2

accessory package 1480

bolt package with steps 1-7	1
angle caps - 4 1/2" long	4
bunk adjustment channels	8
bunk bracket plates	4
1500# DL winch	1
cable with loop in one end	1
1.5" x 4.5" red plastisol caps	2
1.5" x 2" red plastisol caps	4

WARNING

Do not overtighten the nuts and bolts on your lift. Doing so may cause the lift to fail. When tightening against a tube, tighten until the aluminum just dimples. Lock nuts should be tightened until at least one thread of the bolt is showing through the nut. If you crush the tube, it may crack and fail under normal use.

1. mainframe setup

set up the 2 mainframes with the leg sockets to the outside.



mainframe left	1
mainframe right	1

2. mainframe spreader

bolt the mainframe spreader tube between the mainframes using:

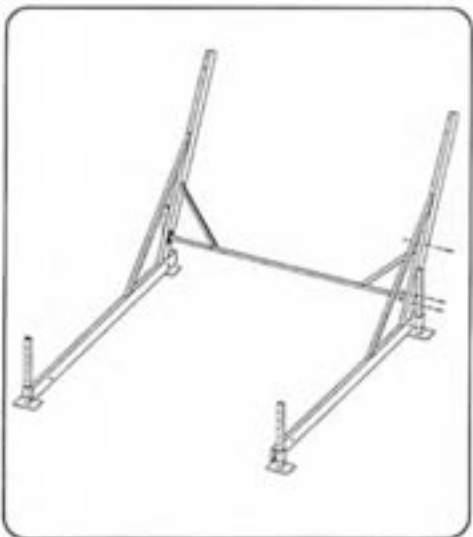
- 4 - 3/8 x 2 1/2 hex bolts
- 4 - 3/8 flat washers
- 4 - 3/8 nylon lock nuts

the holes in the spreader tube should be towards the top.

install the mainframe angle braces with:

- 4 - 5/16 x 2-1/2 hex bolts
- 4 - 5/16 flatwashers
- 4 - 5/16 nylon lock nuts

place the washers under the heads of the bolts and against the tubes. put the nut against the plate or angle on the opposite side.



mainframe spreader	1
bolt package step 2	1

2. Install H-units

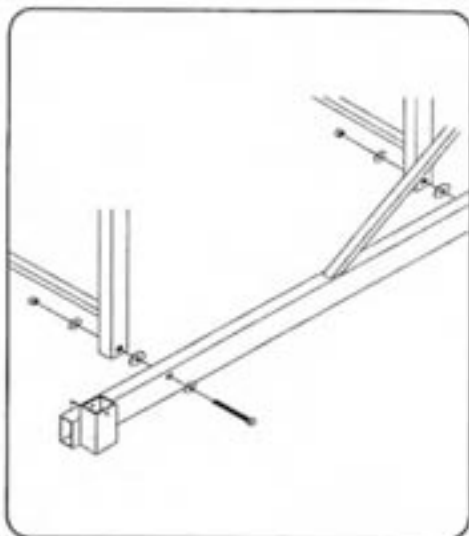
place the 2 H-units inside the main frames and attach using:

4 - 1/2 x 4 1/2 hex bolts

12 - 1/2 flat washers

4 - 1/2 nylon lock nuts

place a washer under the head of the bolt, under the nut, and between the H-unit and the mainframe.



h-unit	2
bolt package step 3	1

4. cradles

install the front and rear cradles on the top of the h-units using:

4 - 1/2 x 3 1/2 hex bolts

4 - 1/2 nylon lock nuts

install the 2 pulley assemblies in the front cradle placing one washer under the nut.

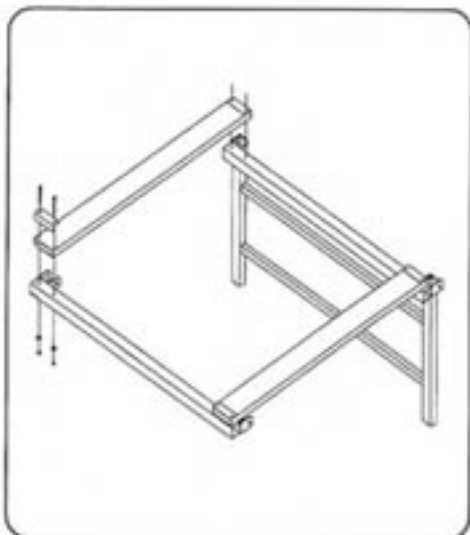
attach the cradle spreader tubes to the front and rear cradles using:

4 - angle caps - 4 1/2 long

8 - 5/16 x 6 1/2 hex bolts

8 - 5/16 flatwashers

8 - 5/16 center lock nuts

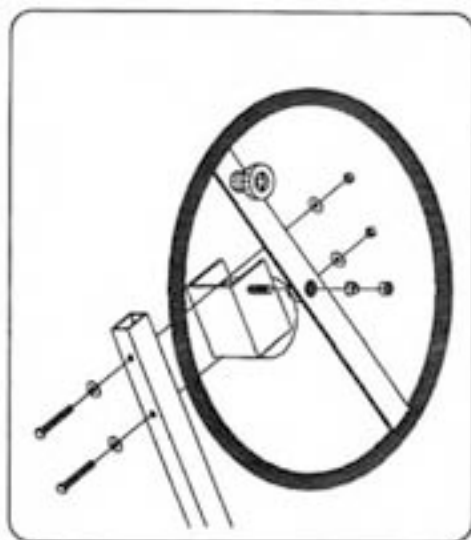


cradle front 95"	1
cradle rear 88.5"	1
cradle spreader tube 85"	2
bolt package step 4	1

5. install winch

install the winch on the desired side of the lift using:

- 2 - 3/8 x 5 1/2 hex bolts
- 4 - 3/8 flat washers
- 2 - 3/8 nylon lock nut



winch 1500#	1
bolt package step 5	1

6. install winch

CAREFULLY thread the 25" red wheel onto the winch shaft. The wheel should turn easily.

Fasten onto the shaft using:

- 1 - winch spring
- 1 - 1/2 jam lock nut

tighten the jam nut while preventing the winch from turning. If the winch is allowed to turn, the wheel will come off the shaft. ONLY 1 OR 2 THREADS SHOULD SHOW through the nylon in the nut.

turn the wheel clockwise until it tightens up against the winch and you hear the braking mechanism begin to click. when you turn the wheel counterclockwise the brake will be released. make certain the brake is activated

red wheel 25"	1
---------------	---

7. string cable

attach the cable to the mainframe opposite the winch using:

- 1 - 3/8 x 5 1/2 hex bolt
- 2 - 3/8 flat washers
- 1 - 1/2 flat washer
- 1 - 3/8 nylon lock nut

string the cable through the pulleys and secure it to the winch following the instructions included with the winch.

you may now tighten all of the nuts and bolts you have installed.

Be careful not to over tighten.

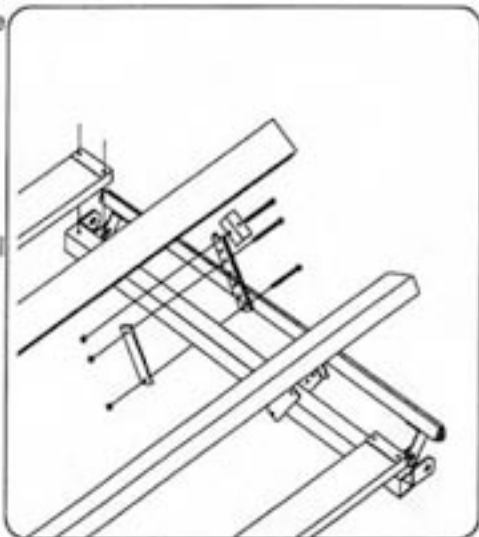
cable 3/16" x 22'	1
bolt package step 7	1

8. carpeted bunks

attach the carpeted bunks to the front and rear cradles using:

- 4 - 5/16 x 1 hex bolts
- 12 - 5/16 center lock nuts
- 8 - 5/16 x 2 1/2 hex bolts
- 4 - adjustment channels
- 4 - channel backer plate

leave all nuts loose until the final adjustment.



carpeted bunks	2
bolt package step 8	1

9. final adjustments

install the 6 red plastisol caps, 2 at the top of the mainframe and 4 on the legs.

move your lift into the water and adjust its legs so that the lift is level. Do this by removing the clevis pin, sliding the leg to the desired position, and then replacing the clevis pin and S-bend cotter.

adjust the bunks to best fit your craft, and your installation is complete

red cap	1.5" x 4.5"	2
red cap	1.5" x 2"	4

hints

- place your lift in the deepest water you can, your lift will operate more easily in deeper water.
- deep V hulls may be accommodated by moving the front of the bunks closer together and leaving the back farther apart to provide stability.

important

Your Lakeshore Jet Lift will only protect your personal watercraft if the craft is lifted well above the level of the water. In larger lakes or during storms, large waves may lift the craft from the lift or tip the lift over, causing damage both to the craft and the lift. You must take precautions to protect your craft and lift from these conditions. If your craft suffers damage from high waves, Lakeshore Products, Inc. will not accept responsibility for such damage.

Inspect your lift often for signs of wear or improper operation. Be aware of normal cranking force. Any increase in cranking force is a sign that something is wrong.

Grease the winch shaft yearly. The red wheel must be able to thread and unthread easily in order for the braking mechanism to work properly.

Pay attention to the condition of your cable. A frayed or rusted cable can lead to failure of the lift. Replace it immediately. Greasing the cable, especially where it enters the winch, can extend its life.

Never over crank the winch. Once the lift has reached its highest point, further cranking will damage the lift.

In Deep Water?

If you have a deep lake and are in need of longer legs, Lakeshore Products, Inc. offers 4 foot long legs for your Jet Lift. Ask your dealer for details or call us at 517.639.3815.

10/2 Year Limited Warranty

Lakeshore Products, Inc. (Seller) warrants the aluminum structure on docks and lifts of its manufacture to be free from defects caused by faulty material or poor workmanship. Seller will, at its option, repair or replace any such goods found on examination by Seller, to be defective under normal use and service within ten years from date of purchase. Upon discovery of any such defect, Buyer must notify Seller in writing of defect and provide proof of purchase. Seller warrants cast aluminum parts, mechanical components, and hardware for two years.

Seller shall not be held responsible for repairs or modifications to its docks or lifts unless authorization has been obtained from Seller. This warranty does not cover damage caused by incorrect assembly or adjustments, overloading, improper use, neglected maintenance, alterations, or damage caused by accident, ice, salt water, or acts of God.

Components obtained from other manufacturers and used in Seller's products will be covered under the manufacturer's warranty and shall not be the responsibility of the Seller.

Seller's responsibility under this warranty shall be the repair or replacement of defective items. Seller is not liable for incidental or consequential damages of any kind.

Your Waterfront Specialists

855 Chicago Road • Quincy, Michigan 49082
tel 517.639.3815 • fax 517.639.4576