



Canopy Frame Owner's Manual

- 14AF64 14' Canopy Frame**
 - LS311 bent tube bundle 14'
 - LS321 rail bundle 14'
 - LS310 leg bundle
- 16AF64 16' Canopy Frame**
 - LS311 bent tube bundle 14'
 - LS321 rail bundle 14'
 - LS310 leg bundle
 - LS312 bent tube bundle 16'

for LSC1364

READ CAREFULLY - FAILURE TO FOLLOW INSTRUCTIONS AND SAFETY RULES MAY RESULT IN SERIOUS INJURY

WARNING. High winds will damage the Canopy. If possible remove the Canopy Cover before severe weather is in the area. Wind damage is not covered by the Lakeshore Warranty.

Manufacturers of Lakeshore Products
855 East Chicago Road, Quincy, MI 49082
www.lakeshoreproducts.com • tel: 517.639.3815 • fax: 517.639.4576

tools needed

1/2" wrench	2
tape measure	
pen	

14AF64	
side rail	4
connector 5"	2
bow stub	12
16AF64 (additional)	
side rail extension	2
connector 5"	2
bow stub	2

STEP 1

1.1 assemble side rails

Lay out two Side Rails end to end with the 5" Connector between. Start nuts on bolts using:

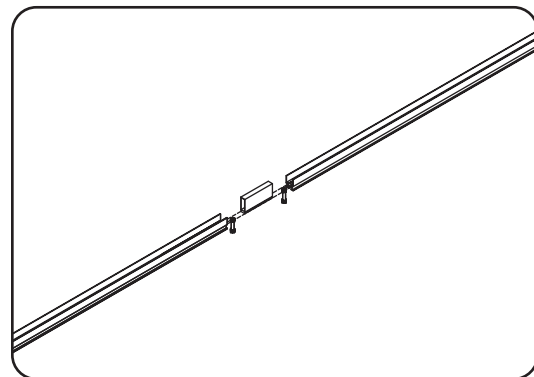
- 4 - 3/8" x 1" hex bolts
- 4 - 3/8" nuts

Slide nut end of bolt assembly into track on bottom of each Side Rail and align with hole. Slide Connector halfway into the top groove on one Side Rail and tighten bolt to hold in place. Slide other Side Rail onto Connector and tighten in place.

Repeat with other two Side Rails and Connector for other side.

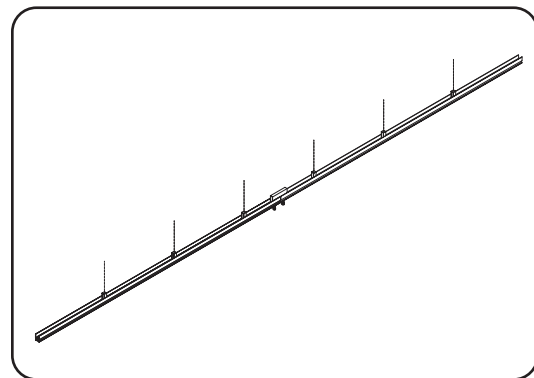
For a 16 ft. Canopy place the 2' Side Rail Extensions between the Side Rails using the additional 5" Connectors and:

- 4 - 3/8" x 1" hex bolts
- 4 - 3/8" nuts



1.2 install bow stubs

Starting at one end of the assembled Side Rails measure and place a mark every 2'. Slide 6 Bow Stubs (7 for a 16 ft. Canopy) in the top groove of the Side Rails and align each with the marks.



NOTE

Do not overtighten the nuts and bolts on your canopy.

The overtightening of bolts may severely damage the structural integrity of your canopy. When tightening a regular nut against an aluminum tube, tighten until the surface of the tube dimples slightly (1/8"). If you crush the tube, it may crack and fail under normal use.

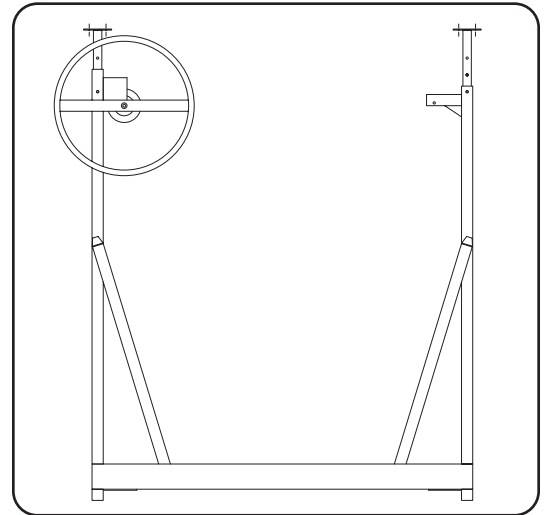
14AF64	
canopy leg	3
winch canopy leg	1
canopy bow	6
canopy bow end assembly	2
16AF64 (additional)	
canopy bow	1

STEP 2

2.1 install canopy legs on lift

Insert Canopy Legs into top of corner posts on your lift. Make sure the leg with the slot is used on the post with the winch and wheel. Measure to set the height and then tighten using:

- 4 - 3/8" x 3" hex bolts
- 4 - 3/8" nuts

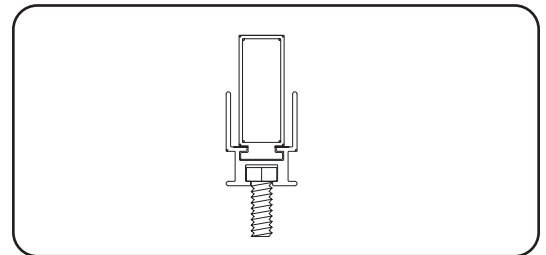


2.2 install bolts for canopy legs

Slide two bolts into the bottom groove on each end of the Side Rails using:

- 8 - 3/8" x 1" hex bolts

Be sure that these bolts hang from the head.



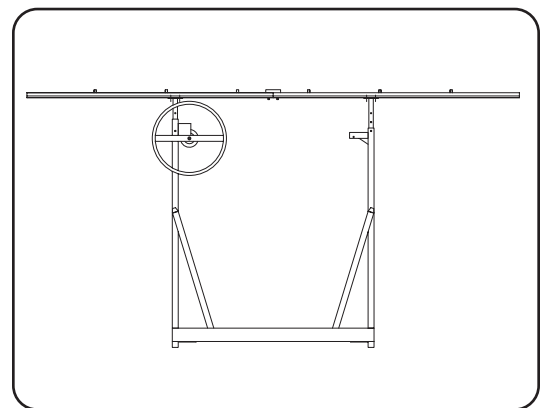
2.3 install side rails on lift

Take one of the assembled Side Rails and place it on top of the Canopy Legs. Align the bolts that are hanging with the holes in the top of each Canopy Leg and attach using:

- 8 - 3/8" nuts

Repeat with the other Side Rail.

Slide the Side Rails on the Canopy Legs until they are positioned properly over your boat and the ends are aligned. Tighten in place.

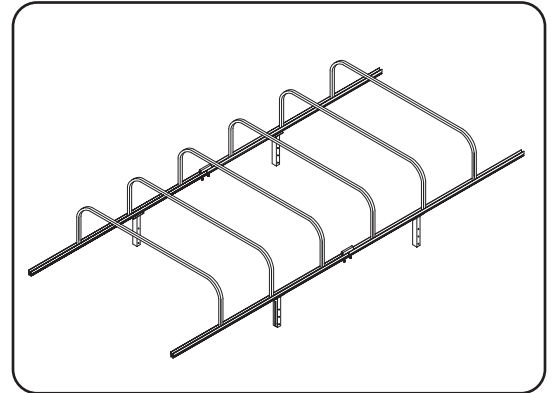


STEP 2 *continued next page...*

STEP 2

2.4 install canopy bows

Take the Canopy Bows and position each one so they fit down over the Bow Stubs and rest on the Side Rails.



2.5 install canopy bow end assemblies

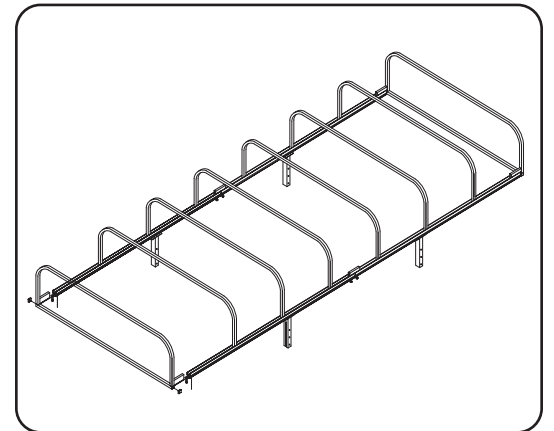
Install 1" x 1" black caps in open ends.

Start nuts on bolts using:

4 - 3/8" x 1" hex bolts

4 - 3/8" nuts

Slide nut end of bolt assembly into track on bottom of each Side Rail and align with hole. Align the Canopy Bow End Assemblies so they slide into the top groove on the Side Rails and tighten in place.



STEP 3

3.1 install canvas cover

Place Canopy Canvas over the frame, making sure it is properly aligned.

Put end loops over bolts in each corner.

Use the "S" hooks to loop around the attached bungee and hook over the inside lip of the Side Rail. Start from the middle and work out alternating sides so the Canvas is not pulled unevenly.

NOTE: Once the Canvas has been installed, you can loosen the bolts on the Canopy Bow End Assembly and push the Assembly out until the Canvas fits well. Then retighten the bolts.

canopy canvas	1
"S" hook	16/18

NOTE
"S" hooks may be permanently attached to the bungees by closing the loops using a pair of pliers or channel locks.

hints

- A. Your canopy will form fit a bit once it has been on the lift for a few days under the sun.
- B. During the off season store your canopy in a cool dry place. Wash any excess dirt off of it before storage. These steps will help prolong the life of the vinyl.
- C. Leave the legs in the lowest position. This will allow easier access to the top when installing the frame and the canvas.

LS302 accessory package canopy 14'

21016	connector 5"	2
21017	bow stub	12
BPCAN14	bolt package canopy 14'	1
RODT32U2	1" square black cap	4

BPCAN14 bolt package canopy 14'

Y404	3/8" x 1" hex bolt	16
Y412	3/8" x 3" hex bolt	4
Y450	3/8" hex nut	20

25 Year Limited Warranty

Effective for all products purchased after January 1, 2026.

Twenty Five Years on Aluminum Structure We (LSP, LLC) warrant the aluminum structure on the docks and lifts that we manufacture to be free from defects caused by material or workmanship for twenty five years from the date of purchase.

Two Years on Components We warrant all other materials including aluminum parts, mechanical components, hardware, canopy covers, cables, bunks, etc. for two years.

Other Manufacturers' Parts Any components obtained from other manufacturers for use in our products are covered under the original manufacturer's warranty by the original manufacturer. We will support the resolution of any failures of these parts, but do not warrant them ourselves.

Defective Part? Should you discover a defect in one of our products, contact the dealer you purchased the product from. If you need to find a local dealer, use the Dealer Locator on our website or contact us directly at lakeshoreproducts.com.

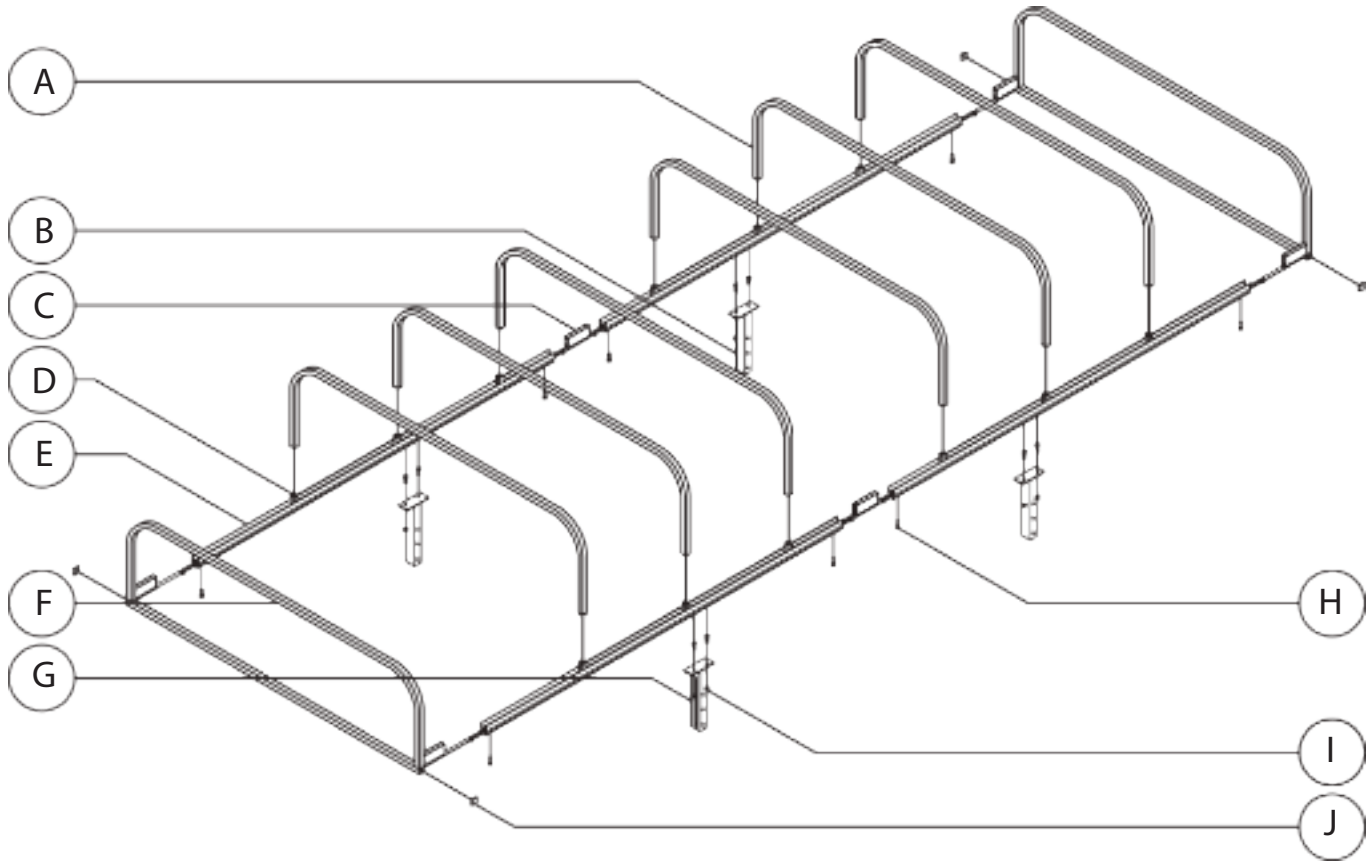
What will we do? Working through your local dealer, we will repair or replace any parts or components that we determine to be defective under normal use and service. The dealer will perform the exchange of parts and any labor that may be necessary.

Legal Stuff

Our responsibility under this warranty is limited to the repair or replacement of defective items and does not include incidental or consequential damages of any kind. We are not responsible for failures or damage due to repairs or modifications to our products that we have not previously approved; incorrect assembly or adjustment, overloading, improper use, neglected maintenance; or resulting from an accident, environmental factors (chemicals, tree sap, salt, etc.), extreme weather, or natural disasters (rainstorms, windstorms, tornadoes, etc.).

LSV1364 Canopy Frame Owner's Manual

14AF64 14' Canopy Frame / 16AF64 16' Canopy Frame



PARTS LIST

<i>ref.</i>	<i>part no.</i>	<i>part name</i>	<i>14' / 16'</i> <i>qty.</i>
A	21012	canopy bow	6 / 7
B	21015	canopy leg	3
C	21016	connector 5"	2 / 4
D	21017	bow stub	12 / 14
E	21010	side rail	4
F	21013	canopy bow end assembly	2
G	21014	winch leg	1
H	Y404	3/8" x 1" hex bolt	16 / 20
I	Y450	3/8" nut	16 / 20
J	RODT32U2	1" x 1" cap	4

16AF64 16' CANOPY

LS312 converts 14' to 16'

<i>part no.</i>	<i>part name</i>	<i>qty.</i>
21012	canopy bow	1
21011	side rail extension 24"	2
21016	connector 5"	2
21017	bow stub	2