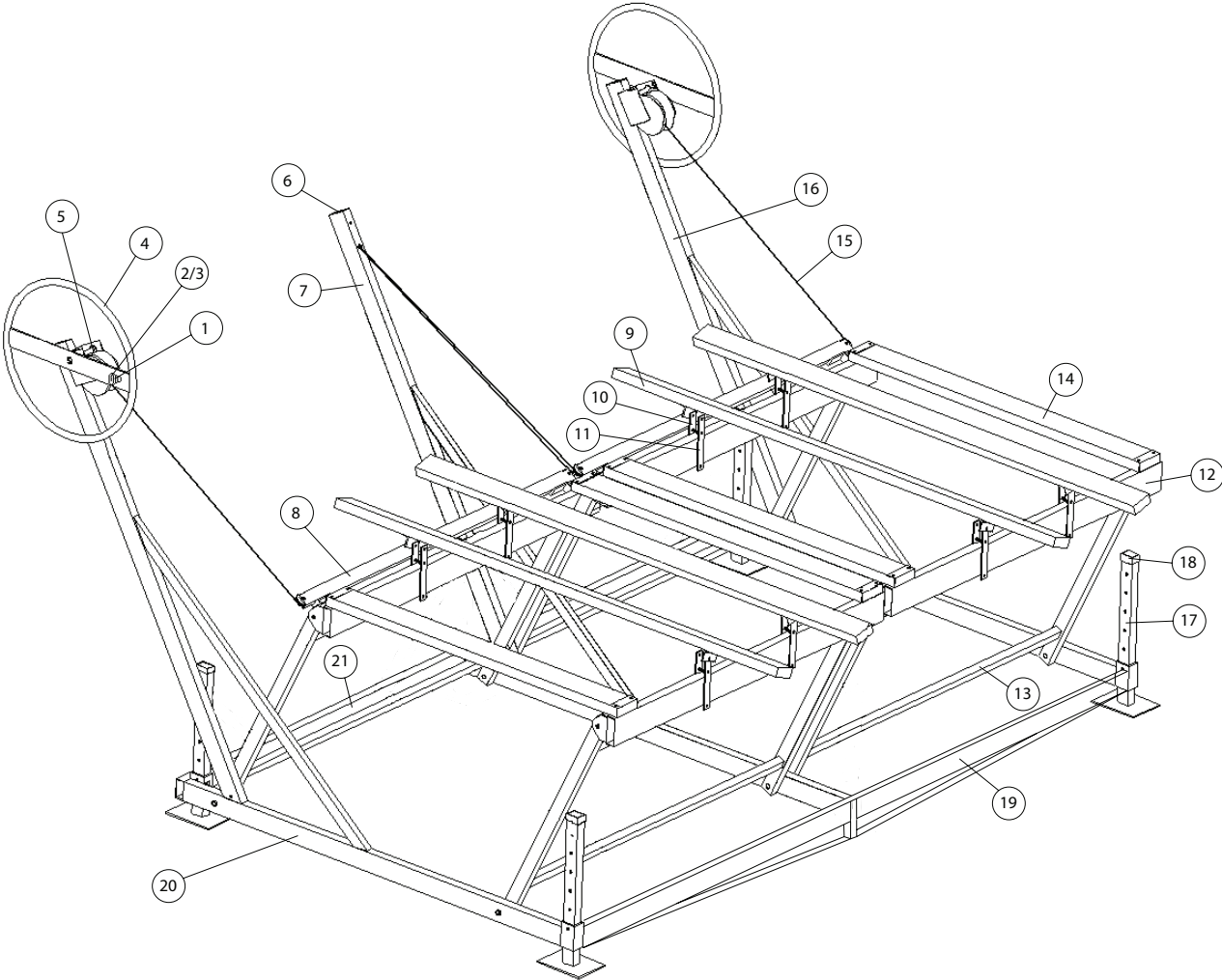


LSC860D



LSC860D PWC Lift, 800 lbs. Load Capacity, (2) 60" Beam Width, 40" Lift Height

PARTS LIST

REF.	PART NO.	PART NAME	QTY.
1	20552	Wheel Knob with Fastening Hardware	2
2/3	20498	Winch Hardware	2
4	LS1102	25" JL Wheel	2
5	20418D	Dutton-Lainson DLB-1200 Winch	2
6	20462/CAPS1530	1 1/2" x 3" Plasticsol Cap	3
7	20615	Mainframe Center	1
8	20683/20682	Pulley Bar Assembly/Hardware Only	2/2
9	20420	Wood Bunk	4
10	20501	Bunk Adjustment Channel	8
11	20502	Channel Backer Plate	8
12	20412	Cradle	4
13	20404	H Unit	4
14	20436	Cradle Spreader Tube	4
15	20464	Cable 3/16" x 21'	2
16	20398	Mainframe Right	1
17	JLU	Leg	4
18	CAPS1520	1 1/2" x 2" Cap	4
19	20621	Spreader Weld Assembly 120"	2
20	20397	Mainframe Left	1
21	20408	Mainframe Spreader Tube 60"	2

BOLT LIST

PART NO.	PART NAME	QTY.
X303C	5/16 x 3/4 Carriage Bolt	4
X351	5/16 Hex Locknut Nylon Insert	4
X452	3/8 Flat Washer	2
Y304	5/16 x 1 Hex Bolt Zinc Grade 2	8
Y310	5/16 x 2 1/2 Hexhead Cap Screw	16
Y310C	5/16 x 2 1/2 Carriage Bolt Zinc	8
Y326	5/16 x 6 1/2 Hex Bolt Zinc Grade 2	16
Y350	5/16 Hex Nut Zinc Grade 2	8
Y351	5/16 Hex Locknut Nylon Insert	40
Y352	5/16 Flat Washer Zinc USS	16
Y410	3/8 x 2 1/2 Hex Head Cap Screw	25
Y416	3/8 x 4 Hex Bolt Zinc Grade 2	4
Y450	3/8 Hex Nut Zinc	2
Y451	3/8 Hex Locknut Nylon Insert	27
Y452	3/8 Flat Washer Zinc USS	18
Y514	1/2 x 3 1/2 Hex Head Cap Screw	8
Y518	1/2 x 4 1/2 Hex Head Cap Screw	4
Y526	1/2 x 6 1/2 Hex Bolt Zinc Grade 2	2
Y551	1/2 Hex Locknut Nylon Insert	14
Y552	1/2 Flat Washer Zinc USS	22