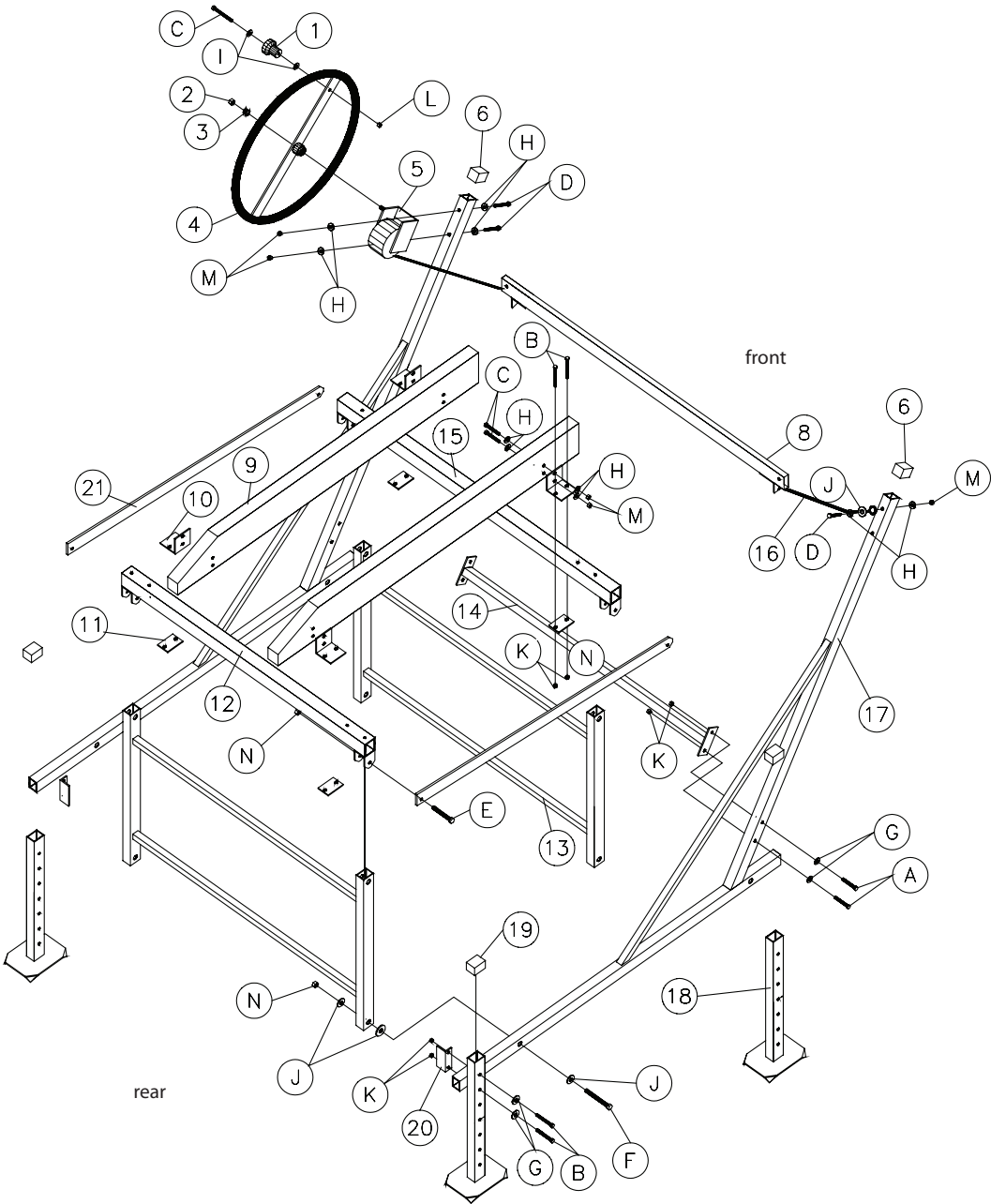


# LSC650



# LSC650 PWC Lift, 800 lbs. Load Capacity, 50" Cradle Width, 28" Lift Height

## PARTS LIST

REF.	PART NO.	PART NAME	QTY.
1	20552	Wheel Knob with Fastening Hardware	1
2/3	20498	Winch Hardware	1
4	LS1102	25" JL Wheel	1
5	20476D	Dutton-Lainson DLB-800 Winch	1
6	20462/CAPS1530	1 1/2" x 3" Plastisol Cap	2
8	20805/20682	Pulley Bar Assembly/Hardware Only	1
9	20424	Wood Bunk	2
10	20477	Wood Angle	4
11	20478	Wood Backer Plate	4
12	20749	Cradle	2
13	20752	H Unit	2
14	20751	Mainframe Spreader Tube	1
16	20419	Cable 3/16" x 204"	1
17	20455	Mainframe	2
18	20458	Leg	4
19	20461	1 1/4" x 1 1/2" Plastisol Cap	4
20	20447	Stop Angle	2
21	20576	Cradle Tie Bars	2

## BOLT LIST

REF.	PART NO.	PART NAME	QTY.
A	Y310	5/16 x 2 1/2 Hex Bolt	4
B	Y314	5/16 x 3 1/2 Hex Bolt	16
C	Y410	3/8 x 2 1/2 Hex Bolt	9
D	Y416	3/8 x 4 Hex Bolt	3
E	Y514	1/2 x 3 1/2 Hex Bolt	4
F	Y518	1/2 x 4 1/2 Hex Bolt	4
G	Y352	5/16 Flatwasher	16
H	Y452	3/8 Flatwasher	14
I	X452	3/8 Stainless Flatwasher	2
J	Y552	1/2 Flatwasher	13
K	Y351	5/16 Lock Nut	20
L	Y450	3/8 Hex Nut	1
M	Y451	3/8 Lock Nut	11
N	Y551	1/2 Lock Nut	8